



PARTS CATALOG

Published

2012/1 (Jan.)

0CNP5-G06900

Directions for the Parts Catalog.

1. The parts stipulated in this Parts Catalog are not necessarily standard equipped parts.
2. Parts may change without prior notice.
3. The following is an example of the Parts Catalog format.

OCF10-G21601		29. FUEL INJECTION PUMP(W/BOOST)									
REF.	LEV.	PARTS NO.	DESCRIPTION	(A)	(B)	(C)	(D)	(E)	(F)	I	R
1	1	729595-51390	FUEL INJECTION PUMP	1	1	1	1	1			1
1-1	1	729595-51391	FUEL INJECTION PUMP	1	1	1	1	1		N	1
		(A=E00185)	(B=E00200)								
3	2	26022-060162	SCREW M 6X 16	9	9	9	9	9			
3-1	2	26022-060162	SCREW M 6X 16	4	4	4	4	4		K	
		(A=E00156)	(B=E00156)	(C=E00156)	(D=E00156)	(E=E00156)					
4	2	129470-51040	CAMSHAFT	1	1	1	1	1			
5	2	122710-51050	BEARING, ROLLER	2	2	2	2	2			
6	2	129470-51060	RETAINER	1	1	1	1	1			

Remarks
(1) BOOST COMPEMSATOR TYPE. OPTIONAL PART, TO E00155,(4JH-DT, 4JH-DTZ

① Ref. No.

The Ref. No. listed may not be in accordance with the illustration Ref. No.

(Ex.) Illustration No.

List Ref No.

1

1

(Before change)

1-1

(After change)

For interchangeable symbols N, R and K, illustrations for new parts may be abbreviated.

② Lev. (Level)

Level indication

The numbers below indicate the level of relativity towards the main part.

1 ----- Main parts (Assembly parts)

2 ----- Sub component included in " 1 ".

3 ----- Sub component included in " 2 ".

Note) Parts that are not for sale are partially illustrated but not listed.

③ Interchangeability Mark

When a part change takes place, one of the following interchangeability symbols is indicated beside the part.

Symbol	Interchangeability	Contents note
N	Old $\begin{matrix} \leftarrow \text{Yes} \\ \text{No} \rightarrow \end{matrix}$ New	New Part is interchangeable for Old Part but Old Part is not interchangeable for New Part.
Q	Old $\begin{matrix} \leftarrow \text{No} \\ \text{Yes} \rightarrow \end{matrix}$ New	New Part is not interchangeable for Old Part but Old Part is interchangeable for New Part.
R	Old $\begin{matrix} \leftarrow \text{Yes} \\ \text{Yes} \rightarrow \end{matrix}$ New	New/ Old Parts are both interchangeable.
S	Old $\begin{matrix} \leftarrow \text{No} \\ \text{No} \rightarrow \end{matrix}$ New	New/ Old Parts are both not interchangeable.
W		Part newly added.
Z		Part discontinued.
F		Not interchangeable by a single part but interchangeable together with related parts.
K		Changes only for used parts quantities.

④ Effective Machine No.

When a part changes, the effective Machine No. will be indicated in the (A)-(F) column.

Product Symbol	Product No.	Product Symbol	Product No.
C	Clutch No. Compressor No.	F	Machine No. (Agricultural Equip.)
D	Drive No.	M	Machine No.
E	Engine No.		

Note 1) A date may follow the symbol. (Ex.) 1996.01

Note 2) "XXXXX" and "ZZZZZ" are for parts that could not be predicted or for engine models that could not be identified.

Note 3) (A=E00185) is the E (Engine Serial Number) for the column (A) model (in this case 4JH-DT) after the parts design change.

⑤ Remarks Mark

Figures or alphabets (symbols) are entered in the remarks column.

The comments (remarks) on parts that are indicated at the bottom of the illustration are the same symbols as those stated above.

CONTENTS

MODEL : KE-20T-AU-PQ
PC NO : 0CNP5-G06900

Fig.No.	GROUP NAME
ENGINE CONTROL SECTION	
1.	ENGINE ACCESSORIES
2.	ACCEL LEVER
3.	FOOT ACCELERATOR
4.	FUEL TANK
5.	TANK BRACKET
6.	SIDE COVER
FRONT AXLE SECTION	
7.	FRONT BRACKET
8.	CENTER PIN
9.	TIE-ROD
10.	DRIVE PINION
11.	DIFFERENTIAL GEAR
12.	PROPELLER SHAFT
13.	FRONT SHAFT(1)
14.	FRONT AXLE HOUSING
15.	FRONT GEAR HOUSING
16.	FRONT SHAFT(2)
17.	INPUT SHAFT
18.	FRONT SPINDLE
19.	SHAFT COVER
20.	FRONT WHEEL TIRE
21.	FRONT WHEEL TIRE(TURF)
22.	HUB BOLT
23.	STEERING WHEEL
24.	PST VALVE
25.	STEERING CYLINDER
26.	PST PIPING(A)
27.	FLOW DIVIDER

Fig.No.	GROUP NAME
28.	PST PIPING(B)
TRANSMISSION SECTION	
29.	CLUTCH HOUSING
30.	CLUTCH DISC
31.	PRESSURE PLATE
32.	CLUTCH SHAFT
33.	CLUTCH RELEASE
34.	CLUTCH PEDAL
35.	TRANSMISSION CASE
36.	CENTER PLATE
37.	OIL GGAUGE
38.	OIL STRAINER
39.	INPUT SHAFT
40.	MAIN SHAFT
41.	COUNTER SHAFT
42.	PTO DRIVE SHAFT
43.	PTO SHAFT
44.	MAIN SHIFT
45.	MAIN CHANGE LEVER
46.	RANGE SHIFT
47.	SUB CHANGE LEVER
48.	PTO SHIFT
49.	PTO CHANGE LEVER

REAR AXLE SECTION	
50.	RING GEAR
51.	DIFFERENTIAL GEAR
52.	DIFF.CARRIER
53.	REAR HOUSING

CONTENTS

MODEL : KE-20T-AU-PQ
PC NO : 0CNP5-G06900

Fig.No. GROUP NAME

- 54. DIFFERENTIAL LOCK
- 55. FINAL PINION
- 56. FINAL GEAR
- 57. REAR AXLE SHAFT
- 58. REAR WHEEL TIRE
- 59. REAR WHEEL TIRE(TURF)
- 60. HUB BOLT
- 61. DISC BRAKE
- 62. BRAKE PEDAL

HYDRAULIC CONTROL SECTION

- 63. HYD.CYLINDER CASE
- 64. SIDE COVER
- 65. PISTON
- 66. LIFT CRANK
- 67. CONTROL VALVE
- 68. RELIEF VALVE
- 69. STOP VALVE
- 70. SAFETY VALVE
- 71. HYDRAULIC CONTROL
- 72. HYDRAULIC CONTROL(KNOB
- 73. HYDRAULIC LINE

ELECTRICAL PARTS SECTION

- 74. WIRE HARNESS
- 75. BATTERY
- 76. SWITCHES
- 77. LAMPS
- 78. METER
- 79. HORN

Fig.No. GROUP NAME

FITTINGS SECTION

- 80. HOOD
- 81. DASHBOARD
- 82. FENDER
- 83. FOOTREST
- 84. DRIVER SEAT
- 85. LABEL
- 86. LABELS(SAFETY

HITCH SECTION

- 87. PTO GUARD
- 88. 3-POINT HITCH
- 89. REAR HITCH

SAFETY FRAME SECTION

- 90. ROPS
- 91. LOWER FRAME

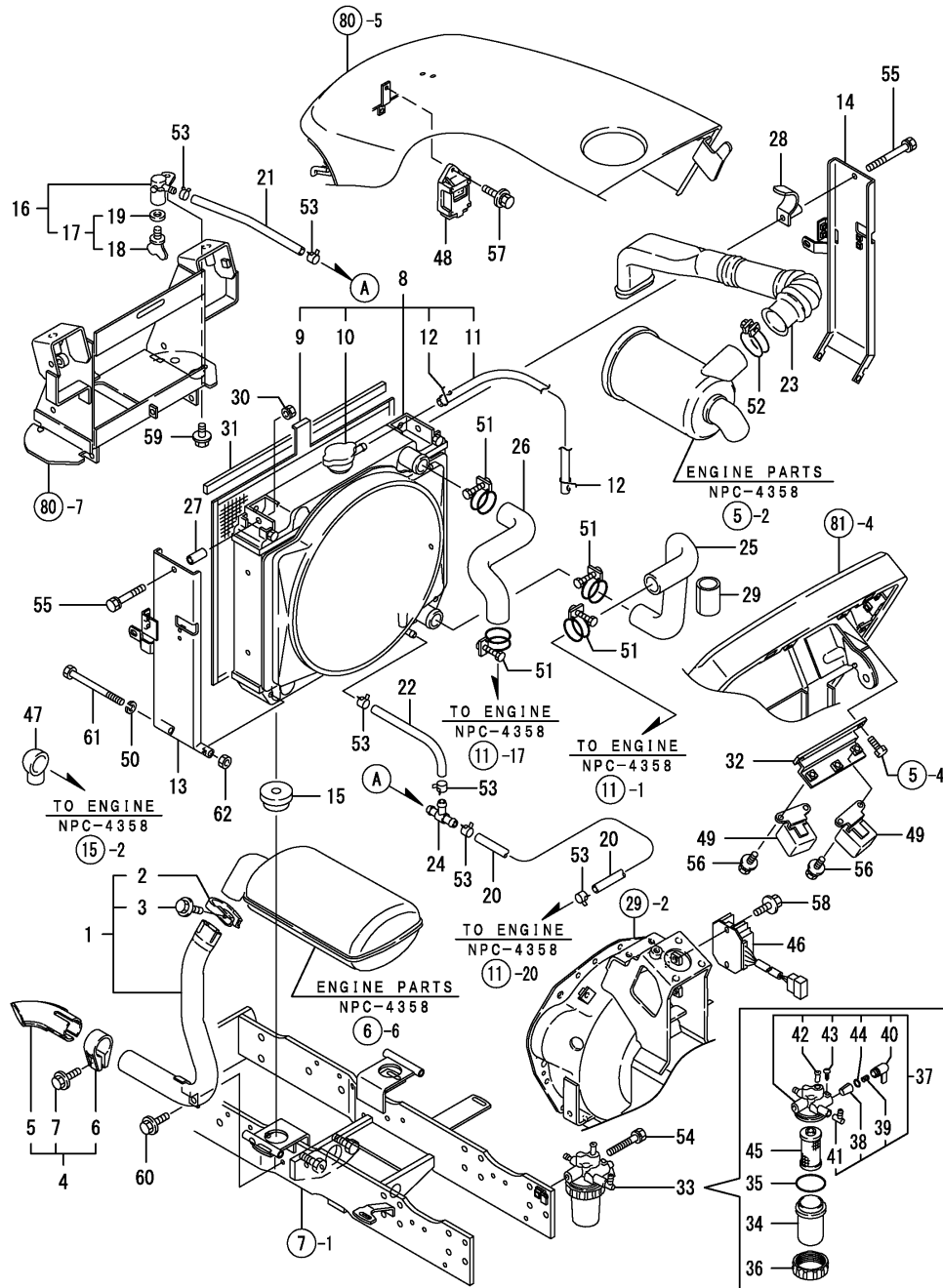
ACCESSORIES SECTION

- 92. DOCUMENT

OPTION SECTION

- 93. BACK MIRROR
- 94. OPTION

Fig.1. ENGINE ACCESSORIES



(A)=KE-20T-AU-PQ

(B)=

(C)=

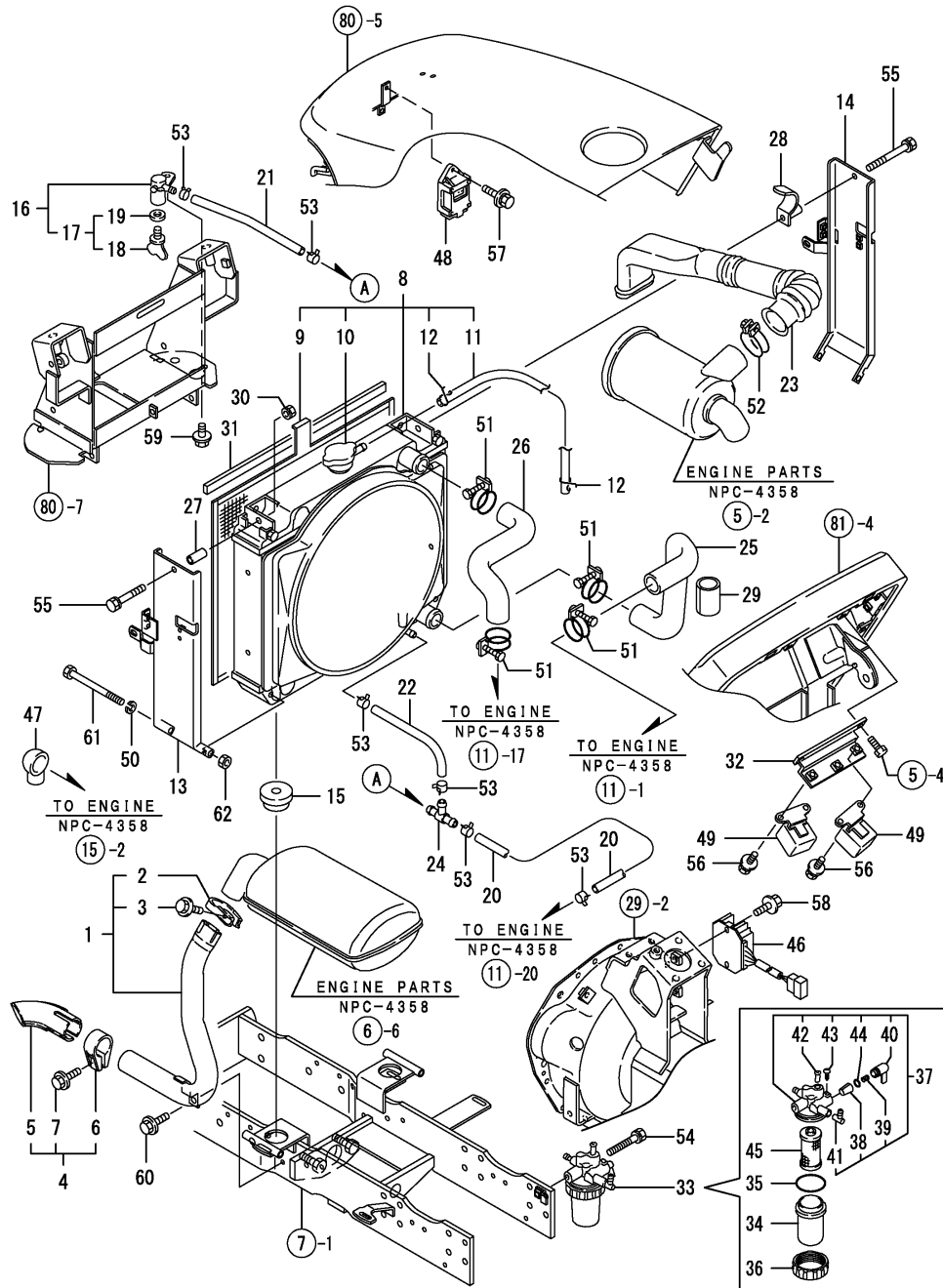
(D)=

(E)=

(F)=

REF.	LEV.	PARTS NO.	DESCRIPTION	QTY						I	R
				(A)	(B)	(C)	(D)	(E)	(F)		
1	1	198162-00510	PIPE,EXHAUST	1							
2	2	119650-13620	CLAMP, EXHAUST PIPE	1							
3	2	26106-080252	BOLT M 8X 25 PLATED	1							
4	1	198162-00520	EXTENSION,END	1							
5	2	198162-00530	EXTENSION,END	1							
6	2	119650-13620	CLAMP, EXHAUST PIPE	1							
7	2	26106-080252	BOLT M 8X 25 PLATED	1							
8	1	1A7740-00601	RADIATOR ASSY	1							
9	2	198162-00860	SCREEN,DESTPROOF	1							
10	2	129107-44590	CAP, RADIATOR D46	1							
11	2	119462-44550	HOSE,RUBBER	1							
12	2	121250-44590	CLAMP	2							
13	1	198164-00620	SUPPORT ASSY, L	1							
14	1	198164-00630	SUPPORT ASSY, R	1							
15	1	198162-00640	SUPPORT	2							
16	1	198421-00640	COCK COMP.,2-WAY	1							
17	2	129150-49080	COCK, DRAIN	1							
18	3	119629-49070	COCK, DRAIN	1							
19	3	119629-49080	GASKET	1							
20	1	198162-00660	PIPE 350,WATER DRAIN	1							
21	1	198162-00670	PIPE 250,WATER DRAIN	1							
22	1	198421-00670	PIPE B,DRAIN	1							
23	1	198421-00681	PIPE,SUC.EXTENSION	1							
24	1	198162-00710	PIPE,3-WAY	1							
25	1	198164-00720	PIPE, WATER 72	1							
26	1	198164-00730	PIPE, WATER 72	1							
27	1	198162-00770	PIPE 30	1							
28	1	198163-00770	STAY,SUC.EXTENS.PIPE	1							
29	1	1C6860-06980	GUARD, HARNESS	1							
30	1	194990-22050	NUT W/WASHER 8	2							
31	1	121454-44590	PAD	1							
32	1	198163-51310	STAY, RELAY	1							
33	1	119462-55620	STRAINER, FUEL	1							
34	2	124064-55510	COVER, STRAINER	1							
35	2	102103-55520	O-RING	1							
36	2	110250-55610	RING, RETAINING	1							
37	2	119626-55690	BODY,FO FILTER	1							
38	3	104200-55321	VALVE, TAPER	1							
39	3	104200-55330	SPRING	1							
40	3	119810-55340	LEVER	1							
41	3	171125-55730	L JOINT	1							
42	3	129155-55740	JOINT	1							
43	3	104200-55750	SCREW, M4	1							
44	3	24311-240100	O-RING 1A P-10A	1							
45	2	104500-55710	ELEMENT, STRAINER	1							
46	1	198162-58800	REGULATOR	1							
47	1	124160-77020	COVER, TERMINAL	1							
48	1	119650-77902	CONTROLLER	1							
49	1	119650-77910	RELAY ASSY, GLOW	2							
50	1	22287-080000	LOCKING WASHER	2							
51	1	23010-038000	CLAMP 38	4							

Fig.1. ENGINE ACCESSORIES



OCNP5-G06900 1. ENGINE ACCESSORIES

(A)=KE-20T-AU-PQ

(B)=

(C)=

(D)=

(E)=

(F)=

REF.	LEV.	PARTS NO.	DESCRIPTION	QTY						I	R
				(A)	(B)	(C)	(D)	(E)	(F)		
52	1	23010-050000	CLAMP 50	1							
53	1	23080-012000	CLAMP 12	6							
54	1	26013-080652	BOLT M 8X 65	1							
55	1	26016-080502	BOLT M 8X 50	2							
56	1	26018-060162	BOLT M6X16	3							
57	1	26018-060252	BOLT, M6X25	1							
58	1	26018-060252	BOLT, M6X25	2							
59	1	26018-080162	BOLT M 8X 16	1							
60	1	26018-080202	BOLT M 8X 20	1							
61	1	26116-081052	BOLT M 8X105 PLATED	2							
62	1	26716-080002	NUT M 8	2							

Fig.2. ACCEL LEVER

(A)=KE-20T-AU-PQ

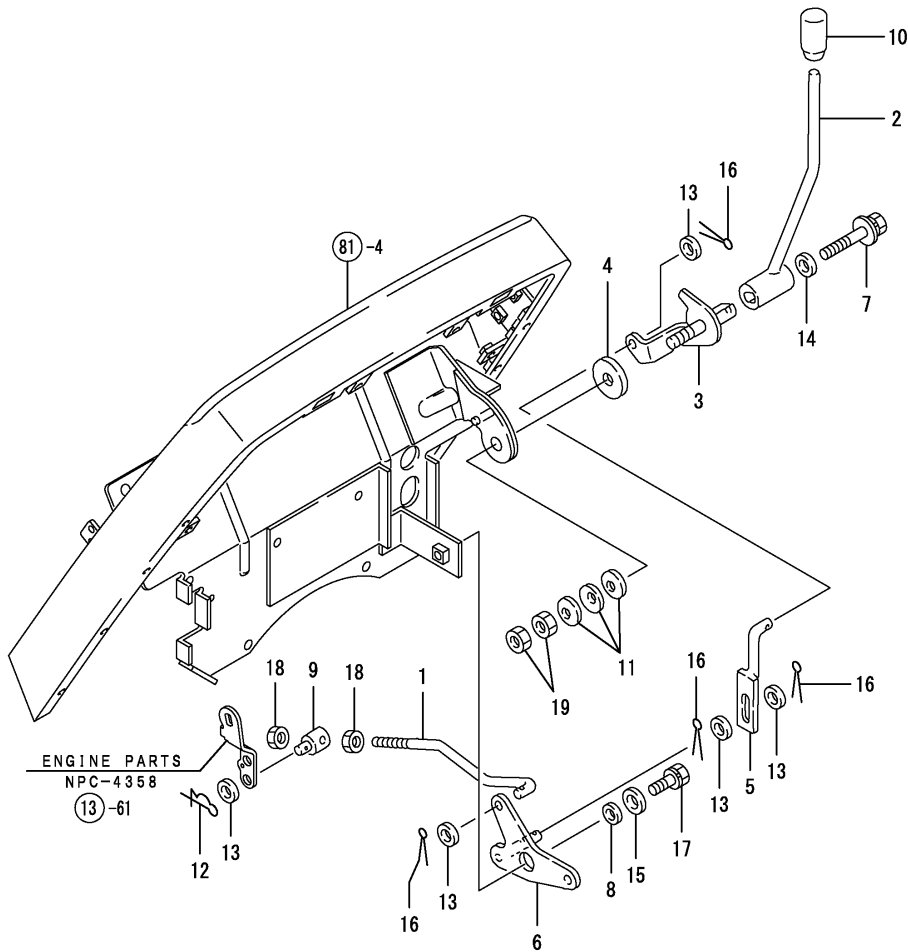
(B)=

(C)=

(D)=

(E)=

(F)=



REF.	LEV.	PARTS NO.	DESCRIPTION	QTY						I	R
				(A)	(B)	(C)	(D)	(E)	(F)		
1	1	198163-00850	LINK, ACCELERATOR	1							
2	1	198421-01110	LEVER, ACCELERATOR	1							
3	1	198421-01120	SHAFT, ACCELERATOR	1							
4	1	198165-01130	PLATE, FRICTION	1							
5	1	198421-01130	LINK, ACCELERAT. LEVER	1							
6	1	198421-01140	PLATE, ACCELERAT. LOCK	1							
7	1	198421-01250	BOLT 6X40	1							
8	1	194150-01270	SPACER 20	1							
9	1	194150-01370	ADJUSTER	1							
10	1	1A6750-37200	KNOB, PARKING BRAKE	1							
11	1	194151-47760	WASHER 12	3							
12	1	1C6281-52320	PIN 8, COME-OFF SNAP	1							
13	1	22117-080000	WASHER 8	5							
14	1	22157-060000	WASHER 6	1							
15	1	22157-100000	WASHER 10	1							
16	1	22417-160160	COTTER PIN 1.6X16	4							
17	1	26016-100202	BOLT	1							
18	1	26716-080002	NUT M 8	2							
19	1	26716-120002	NUT 12	2							

Fig.3. FOOT ACCELERATOR

0CNP5-G06900 3. FOOT ACCELERATOR

(A)=KE-20T-AU-PQ
(B)=
(C)=

(D)=
(E)=
(F)=

REF.	LEV.	PARTS NO.	DESCRIPTION	QTY						I	R
				(A)	(B)	(C)	(D)	(E)	(F)		
1	1	198162-01210	ROD, FOOT AXLE	1							
2	1	198421-01220	SPRING,FT.ACCEL.RTRN	1							
3	1	22117-080000	WASHER 8	2							
4	1	22417-160160	COTTER PIN 1.6X16	2							
5	1	26116-080402	BOLT M 8X 40 PLATED	1							
6	1	26716-080002	NUT M 8	1							

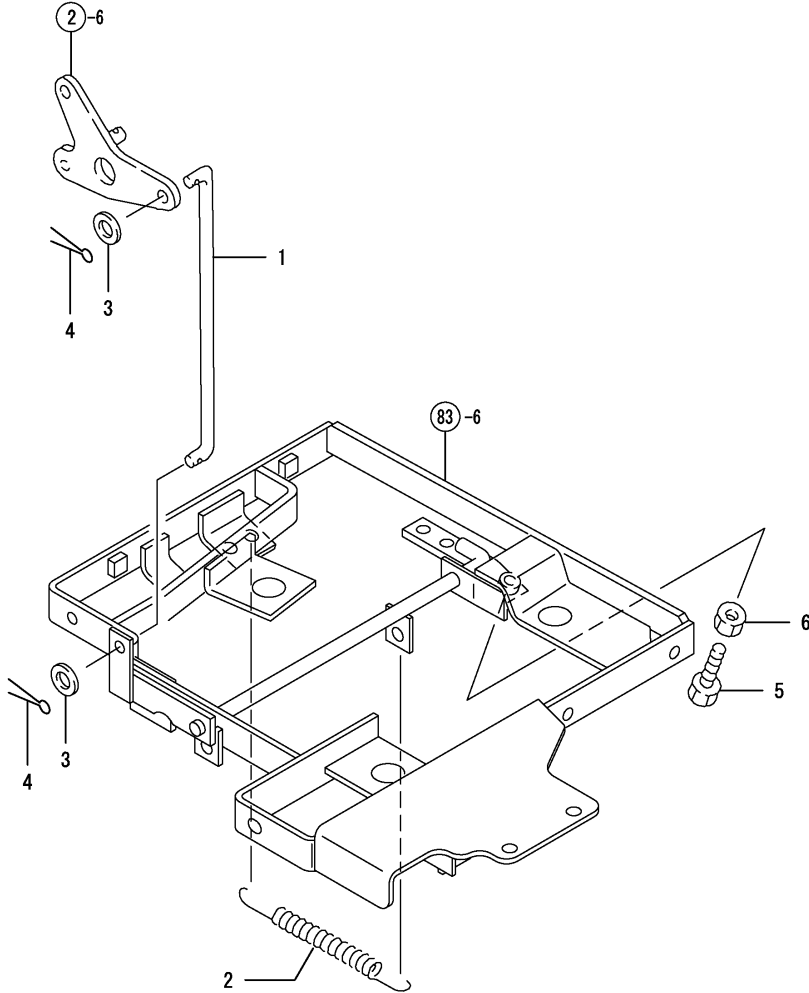
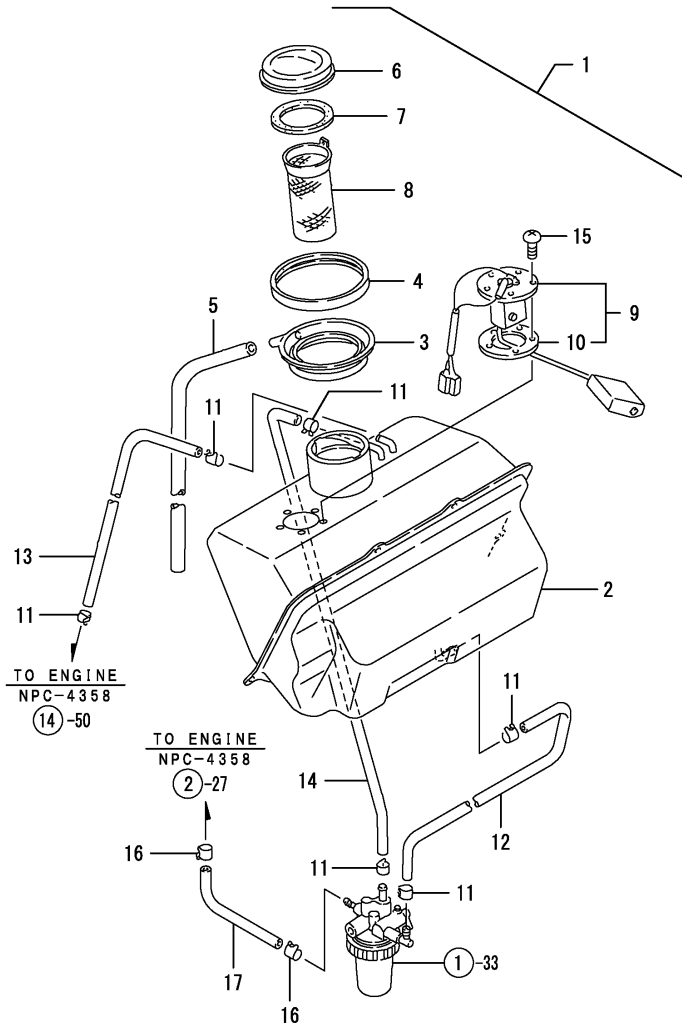


Fig.4. FUEL TANK



OCNP5-G06900 4. FUEL TANK

(A)=KE-20T-AU-PQ
(B)=
(C)=

(D)=
(E)=
(F)=

REF.	LEV.	PARTS NO.	DESCRIPTION	Q'TY						I	R
				(A)	(B)	(C)	(D)	(E)	(F)		
1	1	1A7720-04100	TANK, FUEL KIT	1							
2	2	198162-04111	TANK, FUEL OIL	1							
3	2	194940-04240	PAN, FUEL TANK CATCH	1							
4	2	194940-04250	PACKING, FUEL CAT. PAN	1							
5	2	198421-04430	PIPE, FUEL OIL PAN	1							
6	2	105015-55040	CAP, FUEL TANK	1							
7	2	101504-55051	GASKET, TANK CAP	1							
8	2	101504-55101	STRAINER, FUEL INLET	1							
9	2	198421-56601	GAUGE ASSY, FUEL OIL	1							
10	3	194420-56620	GASKET	1							
11	2	23080-012000	CLAMP 12	6							
12	2	23980-730450	FUEL PIPE 7.3X450	1							
13	2	23980-730500	FUEL PIPE 7.3X500	1							
14	2	23980-730600	FUEL PIPE 7.3X600	1							
15	2	26022-050122	SCREW M 5X 12	5							
16	1	23080-012000	CLAMP 12	2							
17	1	23980-730220	PIPE	1							

Fig.5. TANK BRACKET

0CNP5-G06900 5. TANK BRACKET

(A)=KE-20T-AU-PQ
(B)=
(C)=

(D)=
(E)=
(F)=

REF.	LEV.	PARTS NO.	DESCRIPTION	Q'TY						I	R
				(A)	(B)	(C)	(D)	(E)	(F)		
1	1	194215-04220	SPACER 8X10X10	4							
2	1	194420-62260	RUBBER, CUSHION	8							
3	1	22157-060000	WASHER 6	4							
4	1	26116-060252	BOLT 6X25	4							

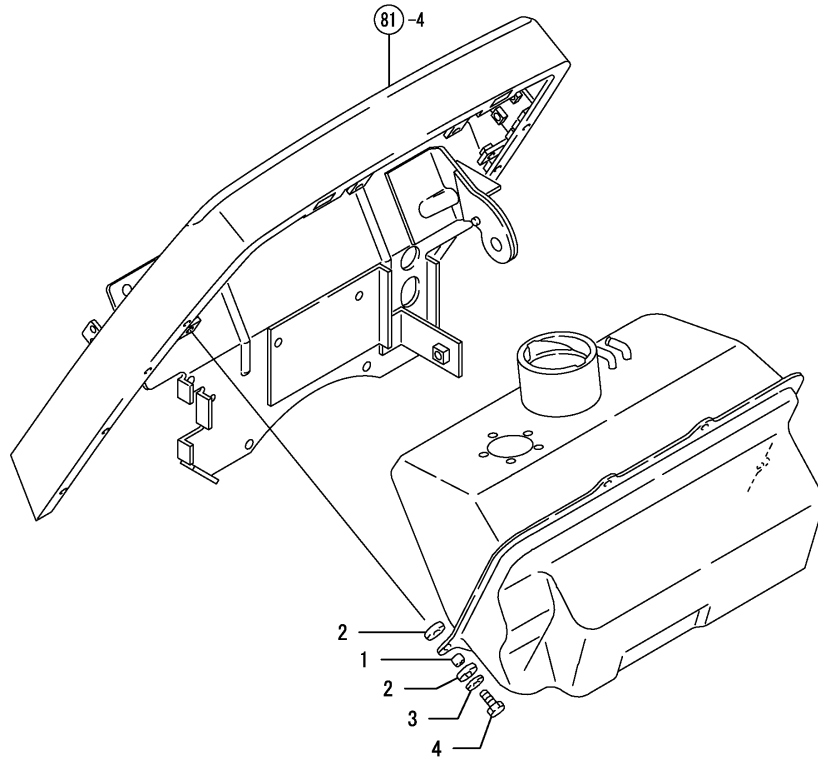
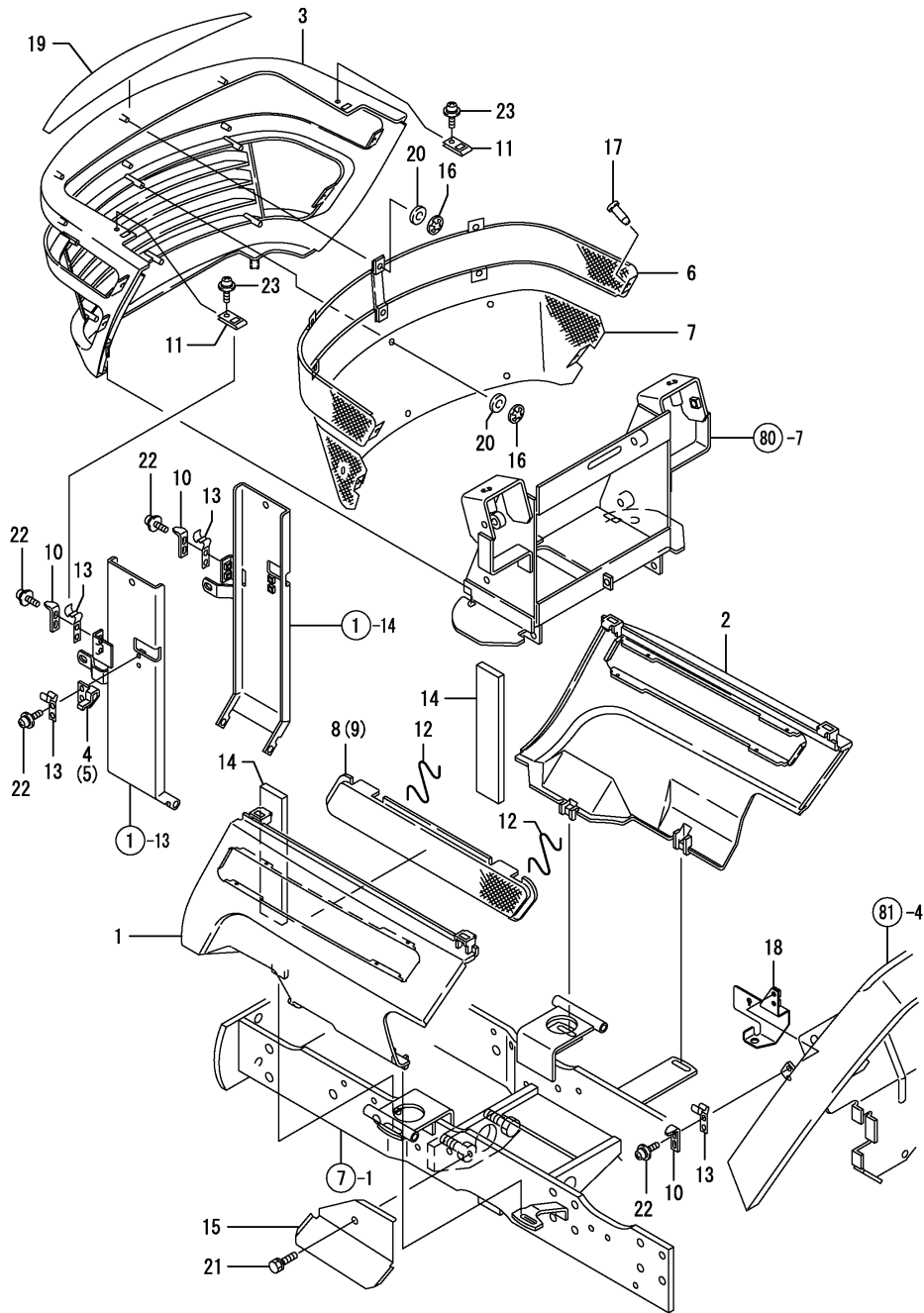


Fig.6. SIDE COVER



(A)=KE-20T-AU-PQ

(B)=

(C)=

(D)=

(E)=

(F)=

REF.	LEV.	PARTS NO.	DESCRIPTION	QTY						I	R
				(A)	(B)	(C)	(D)	(E)	(F)		
1	1	1A7740-05330	COVER(M CMP, LOWER L	1							
2	1	1A7740-05340	COVER(M CMP, LOWER R	1							
3	1	1A7720-05350	COVER, LOWER F	1							
4	1	198162-05381	HOLDER L,LOWER COVER	1							
5	1	198162-05391	HOLDER R,LOWER COVER	1							
6	1	198162-05410	NET,LCF UPPER	1							
7	1	1A7720-05420	NET, LCF LOWER	1							
8	1	198162-05430	NET L COMP.,LC	1							
9	1	198162-05440	NET R COMP.,LC	1							
10	1	198162-05462	STAY,LCF	4							
11	1	198162-05470	COVER,LCF	2							
12	1	198162-05480	CLIP,NET	4							
13	1	198162-05491	SPRING,HOOK	6							
14	1	1A7720-05510	SEAL ,COVER LOWER	2							
15	1	1A7720-05580	PLATE, SHUTTER	1							
16	1	1C6460-38240	NUT 5,PUSH	16							
17	1	198421-61280	LOCK PIN	4							
18	1	1A7720-61531	STAY ASSY, FUSE BOX	1							
19	1	1A7720-65050	LABEL,COVER F	1							
20	1	194555-65130	CUSHION	16							
21	1	26016-080202	BOLT M 8X 20	1							
22	1	26023-050162	SCREW, M5X16	12							
23	1	26023-050162	SCREW, M5X16	2							

Fig.7. FRONT BRACKET

0CNP5-G06900 7. FRONT BRACKET

(A)=KE-20T-AU-PQ
(B)=
(C)=

(D)=
(E)=
(F)=

REF.	LEV.	PARTS NO.	DESCRIPTION	Q'TY						I	R
				(A)	(B)	(C)	(D)	(E)	(F)		
1	1	198164-11200	BRACKET ASSY, AXLE	1							
2	1	26013-100252	BOLT W/WASHER M10X25	16							

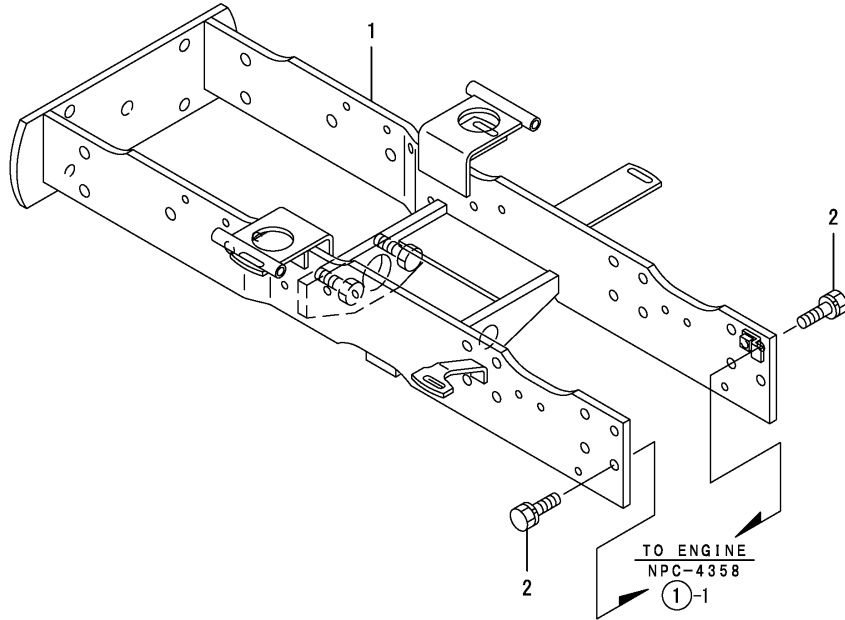


Fig.8. CENTER PIN

0CNP5-G06900 8. CENTER PIN

(A)=KE-20T-AU-PQ

(B)=

(C)=

(D)=

(E)=

(F)=

REF.	LEV.	PARTS NO.	DESCRIPTION	QTY						I	R
				(A)	(B)	(C)	(D)	(E)	(F)		
1	1	198165-11500	SHIM SET, CENTER PIN	1							
2	1	198165-11510	PIN, CENTER	1							
3	1	198165-11540	BUSH, CENTER PIN	1							
4	1	198164-11550	PLATE	1							
5	1	198164-11570	NIPPLE, GREASE 6	1							
6	1	22217-120000	SPRING WASHER 12	2							
7	1	26716-120002	NUT 12	2							

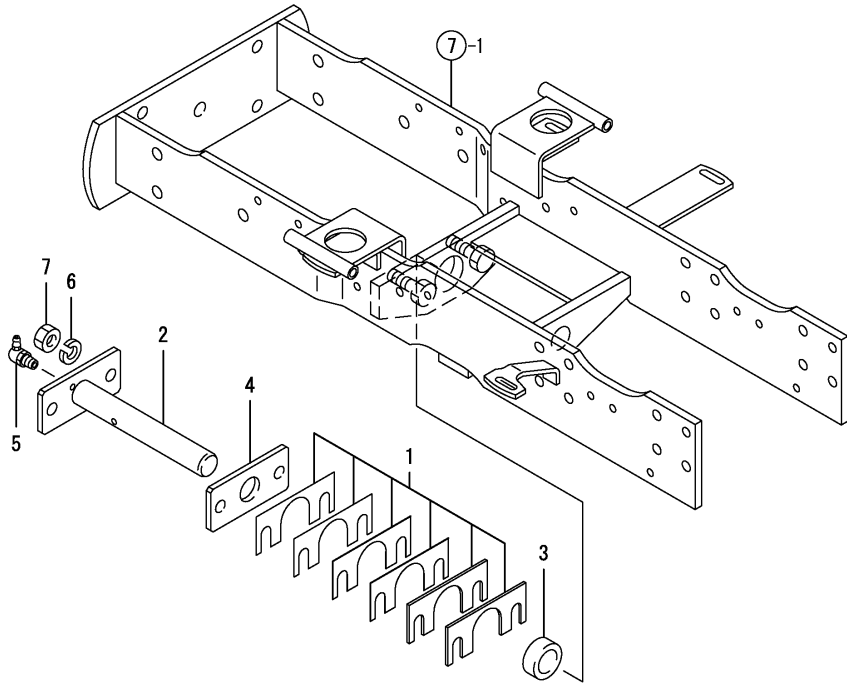


Fig.10. DRIVE PINION

(A)=KE-20T-AU-PQ
(B)=
(C)=

(D)=
(E)=
(F)=

REF.	LEV.	PARTS NO.	DESCRIPTION	Q'TY						I	R
				(A)	(B)	(C)	(D)	(E)	(F)		
1	1	198165-13120	GEAR,19T FRONT	1							
2	1	194447-13860	BALL BEARING	1							
3	1	22242-000200	CIRCLIP 20	1							
4	1	24101-062024	BALL BEARING	1							

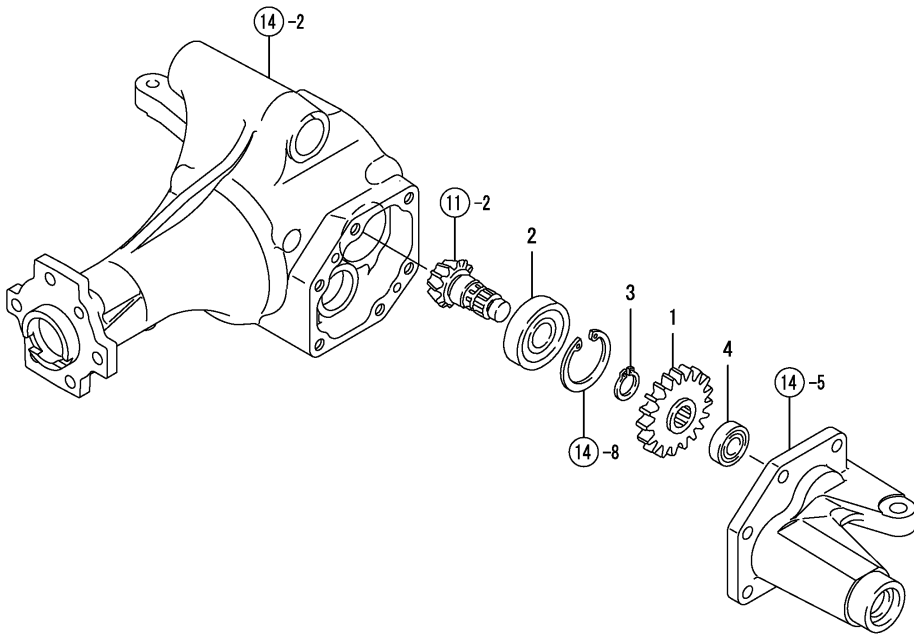


Fig.11. DIFFERENTIAL GEAR

0CNP5-G06900 11. DIFFERENTIAL GEAR

(A)=KE-20T-AU-PQ

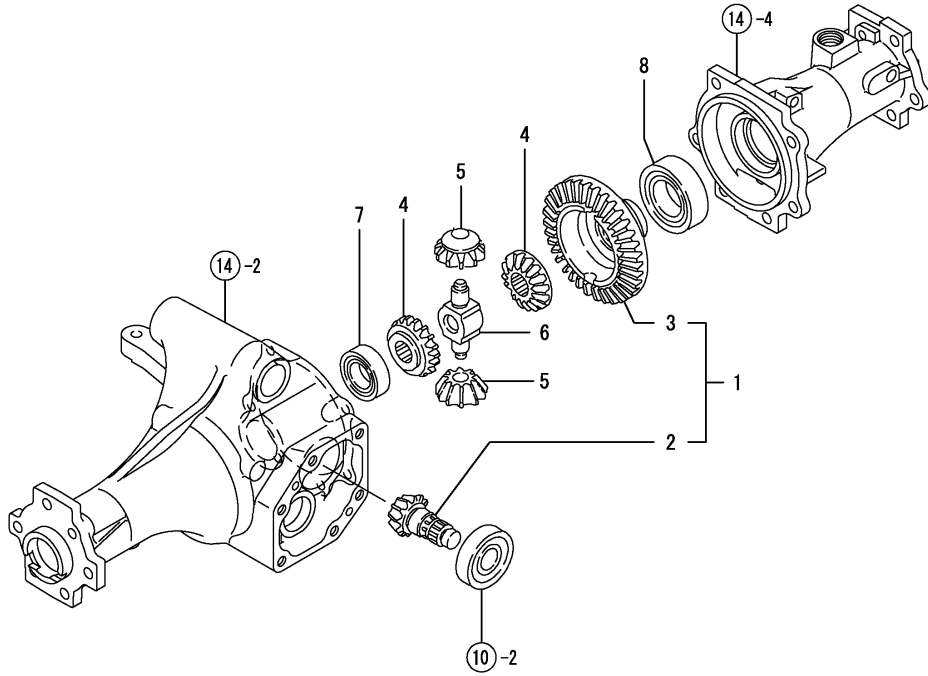
(B)=

(C)=

(D)=

(E)=

(F)=



REF.	LEV.	PARTS NO.	DESCRIPTION	Q'TY						I	R
				(A)	(B)	(C)	(D)	(E)	(F)		
1	1	198165-13101	PINION, DRIVE KIT	1							
2	2	198165-13111	PINION,DRIVE	1							
3	2	198165-13212	GEAR,DIFFERENTIAL	1							
4	1	198421-13221	GEAR,DIFF.SIDE	2							
5	1	1A7050-13230	GEAR,DIFF PINION	2							
6	1	198421-13240	SHAFT,DIFF.PINION	1							
7	1	24101-060054	BALL BEARING 6005	1							
8	1	24101-060074	BALL BEARING	1							

Fig.12. PROPELLER SHAFT

(A)=KE-20T-AU-PQ
(B)=
(C)=

(D)=
(E)=
(F)=

REF.	LEV.	PARTS NO.	DESCRIPTION	Q'TY						I	R
				(A)	(B)	(C)	(D)	(E)	(F)		
1	1	198164-13310	SHAFT COMP,PROPELLER	1							
2	1	22242-000360	CIRCLIP 36(S)	1							
3	1	22351-035032	SPRING PIN 3.5X32	1							
4	1	22351-060032	SPRING PIN 6X32	1							

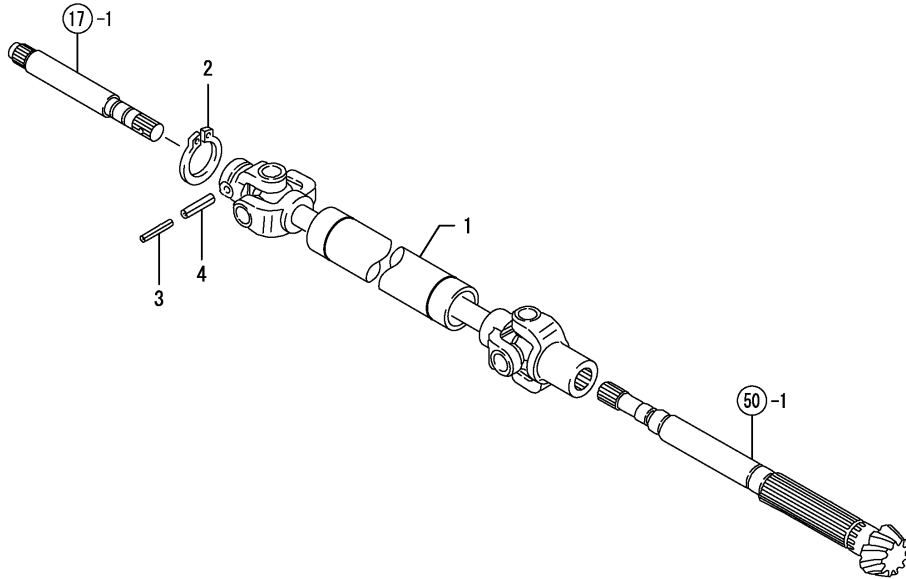


Fig.14. FRONT AXLE HOUSING

0CNP5-G06900 14. FRONT AXLE HOUSING

(A)=KE-20T-AU-PQ

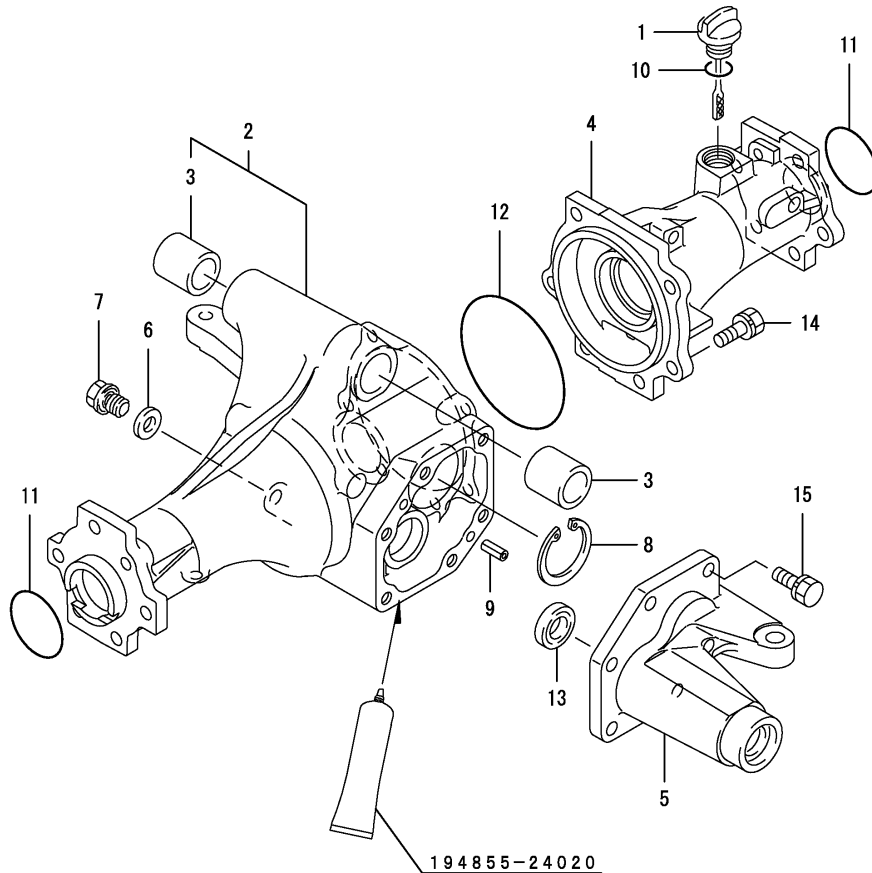
(B)=

(C)=

(D)=

(E)=

(F)=



REF.	LEV.	PARTS NO.	DESCRIPTION	QTY						I	R
				(A)	(B)	(C)	(D)	(E)	(F)		
1	1	194447-13490	CAP W/DIPSTICK	1							
2	1	1A6641-13600	CASE L COMP, F. AXLE	1							
3	2	194850-13660	BUSH	2							
4	1	198165-13620-1	CASE R,FRONT AXLE	1							
5	1	198165-13631	COVER,FRONT AXLE CAS	1							
6	1	198165-24440	GASKET	1							
7	1	198165-24490	BOLT M 12X 12 PLATED	1							
8	1	22252-000520	CIRCLIP 52	1							
9	1	22351-080020	SPRING PIN 8X20	2							
10	1	24311-000180	O-RING 1A P-18.0	1							
11	1	24321-000500	O-RING 1A G-50.0	2							
12	1	24321-001150	O-RING 1A G-115.0	1							
13	1	24421-173007	SEAL TC17 30 07, OIL	1							
14	1	26013-100302	BOLT M10X 30	6							
14-1	1	26106-100302	BOLT M10X 30 PLATED	6							R
		(A=FZZZZZ)									
14-2	1	26106-100252	BOLT M10X 25 PLATED	6							N
		(A=FXXXXX)									
15	1	26016-100302	BOLT M10X 30	6							
15-1	1	26106-100252	BOLT M10X 25 PLATED	6							R
		(A=FXXXXX)									

Fig.15. FRONT GEAR HOUSING

(A)=KE-20T-AU-PQ

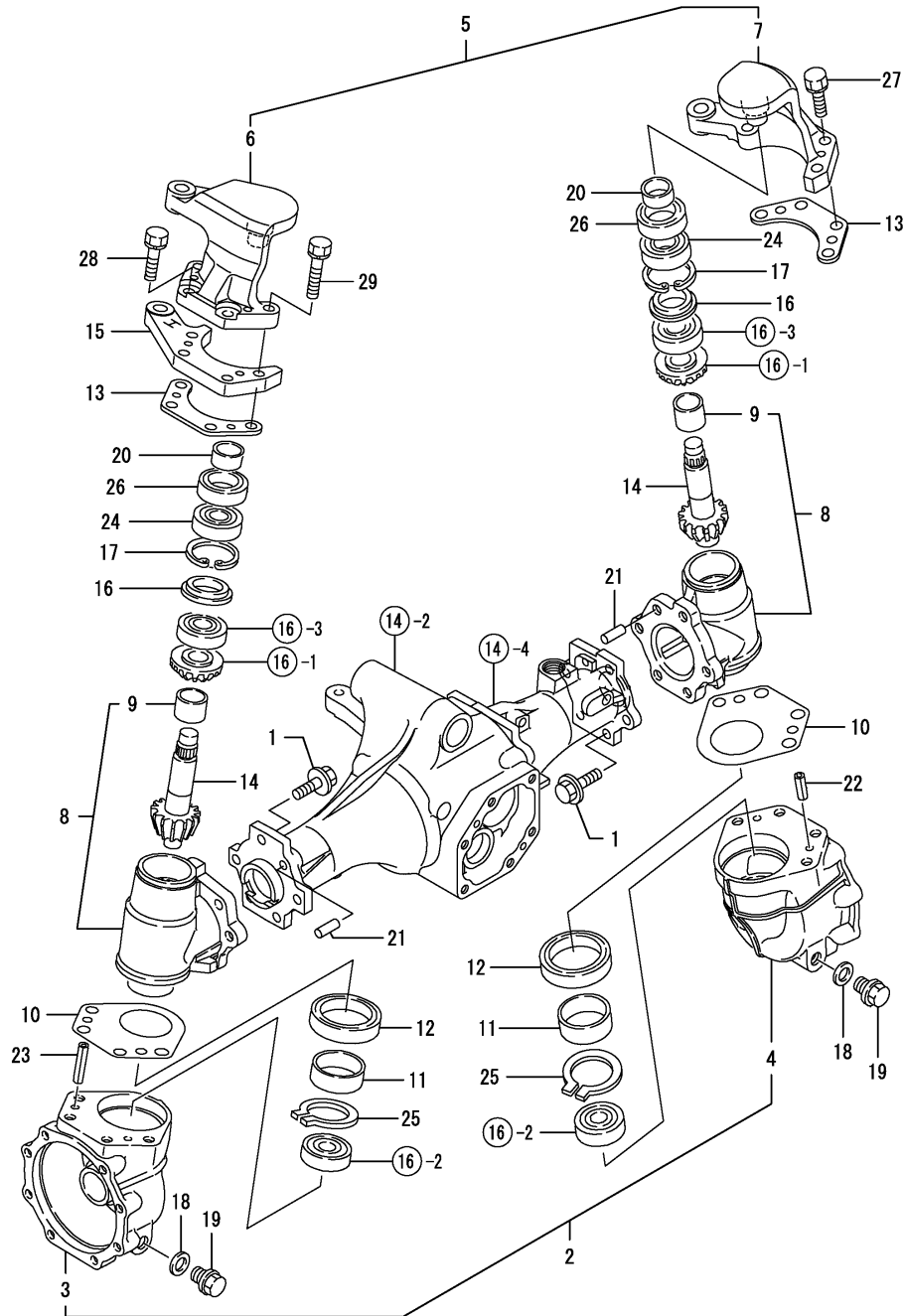
(B)=

(C)=

(D)=

(E)=

(F)=



REF.	LEV.	PARTS NO.	DESCRIPTION	Q'TY						I	R
				(A)	(B)	(C)	(D)	(E)	(F)		
1	1	1A7531-11350	BOLT, M10X25	10							
2	1	198165-13060-1	CSAE SET, FRONT GEAR	1							
3	2	198165-13730-1	GEAR BOX L,FRONT	1							
4	2	198165-13740-1	GEAR BOX R,FRONT	1							
5	1	1A6641-13080-1	SUPPORT SET,KING PIN	1							
6	2	1A6641-13760-1	KING PIN SUPPORT L	1							
7	2	198164-13770-1	SUPPORT(R),KING PIN	1							
8	1	1A6780-13700	CASE,SIDE GEAR CMP	2							
9	2	198165-13841	BUSHING 27*1.5	2							
10	1	198165-13750	SHIM	2							
11	1	194516-13770	SLEEVE SI455016	2							
12	1	194516-13780	SEAL TC6Y 506812.5	2							
13	1	1A6641-13780	SPACER	2							
14	1	198165-13815	PINION, FINAL	2							
15	1	1A6641-13830	ARM, TIE ROD	1							
16	1	1D4110-13870	WASHER	2							
17	1	1A6780-13890	RING 47	2							
18	1	198165-24440	GASKET	2							
19	1	198165-24490	BOLT M 12X 12 PLATED	2							
20	1	1E6190-54080	SLEEVE SI25X30X13	2							
21	1	22312-100200	PARALLEL PIN, M10X20	2							
22	1	22351-080020	SPRING PIN 8X20	2							
23	1	22351-080045	SPRING PIN 8X45	2							
24	1	24104-062044	BALL BEARING	2							
25	1	24164-000452	CIRCLIP, NEEDLE	2							
26	1	24421-304708	SEAL TC30 47 08, OIL	2							
27	1	26013-100352	BOLT M10X 35	4							
27-1	1	26106-100352	BOLT M10X 35 PLATED	4							R
		(A=FXXXXX)									
28	1	26013-100452	BOLT M10X 45	2							
28-1	1	26106-100452	BOLT M10X 45 PLATED	2							R
		(A=FXXXXX)									
29	1	26013-100502	BOLT M10X 50	2							
29-1	1	26106-100502	BOLT M10X 50 PLATED	2							R
		(A=FXXXXX)									

Fig.16. FRONT SHAFT(2)

(A)=KE-20T-AU-PQ
(B)=
(C)=

(D)=
(E)=
(F)=

REF.	LEV.	PARTS NO.	DESCRIPTION	Q'TY						I	R
				(A)	(B)	(C)	(D)	(E)	(F)		
1	1	198165-13532	GEAR, 1-2 SHAFT	2							
2	1	194670-25370	BALL BEARING	2							
3	1	24104-063034	BALL BEARING	2							

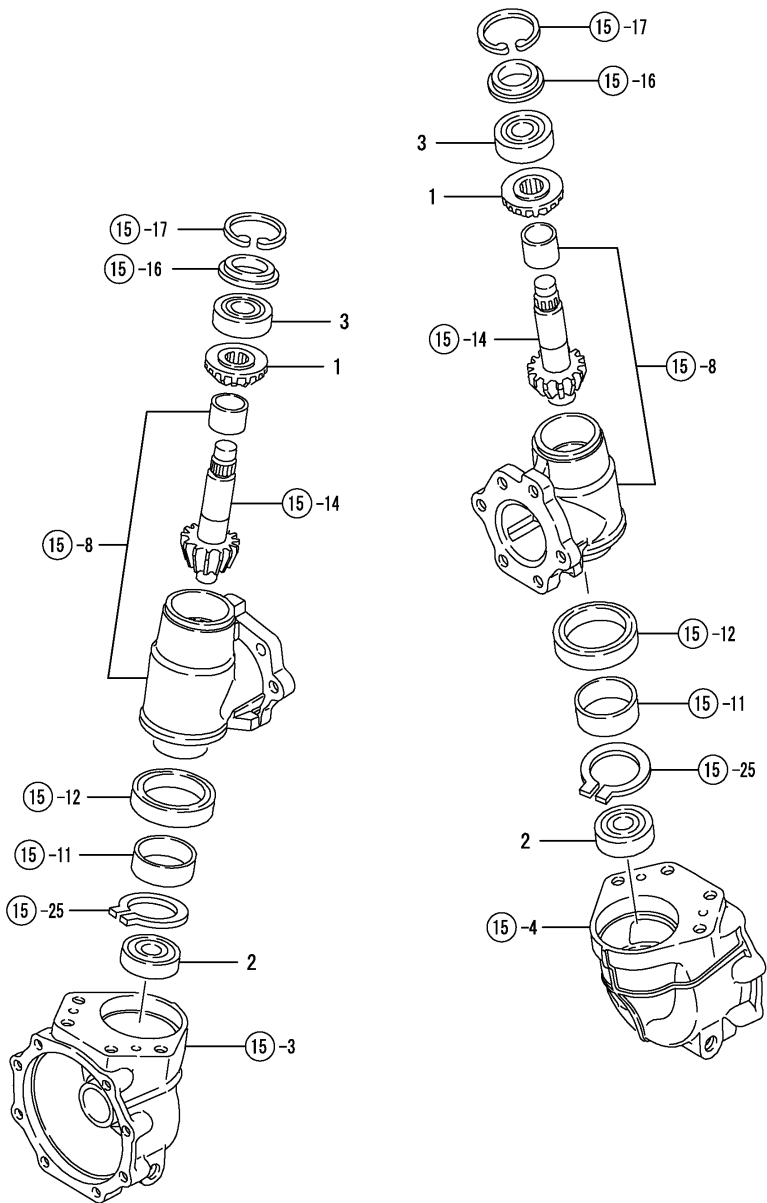


Fig.18. FRONT SPINDLE

(A)=KE-20T-AU-PQ

(B)=

(C)=

(D)=

(E)=

(F)=

REF.	LEV.	PARTS NO.	DESCRIPTION	Q'TY						I	R
				(A)	(B)	(C)	(D)	(E)	(F)		
1	1	1A6780-14110-1	SHAFT,FRONT AXLE	2							
2	1	198165-14120	FAINAL GEAR, FRONT	2							
3	1	1A6780-14131-1	CASE, FRONT BEARING	2							
4	1	198165-14140	PACKING,BEARING CASE	2							
5	1	194151-36670	PLUG PT02	2							
6	1	1E8420-55430	SEAL 40X62X14,OIL	2							
7	1	22242-000350	CIRCLIP 35	2							
8	1	24101-060084	BALL BEARING	2							
9	1	24101-062074	BALL BEARING	2							
10	1	26016-080252	BOLT M 8X 25	16							

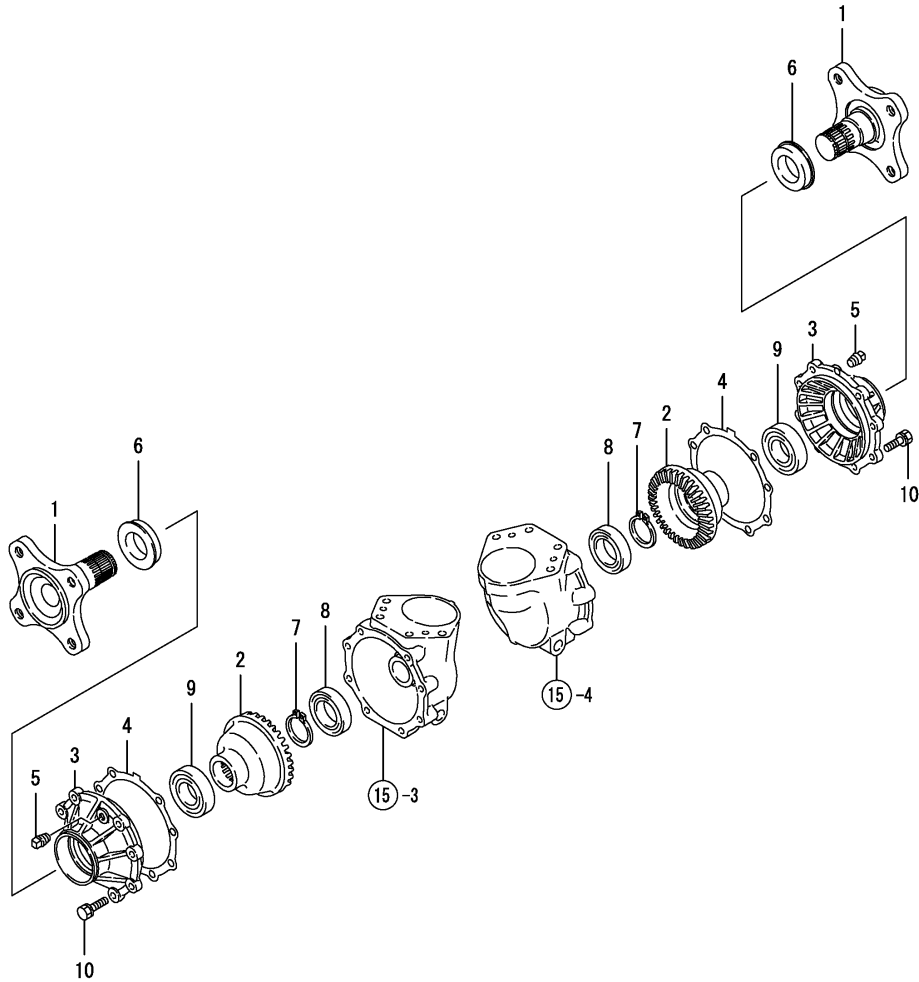


Fig.19. SHAFT COVER

(A)=KE-20T-AU-PQ
(B)=
(C)=

(D)=
(E)=
(F)=

REF.	LEV.	PARTS NO.	DESCRIPTION	QTY						I	R
				(A)	(B)	(C)	(D)	(E)	(F)		
1	1	198164-14620	RUBBER	1							
2	1	198165-14620	BOOT, RUBBER	1							
3	1	198165-14630	COLLAR, RUBBER BOOT	2							
4	1	198421-14630	COLLAR, RUBBER BOOT	1							
5	1	23000-070000	CLAMP 70	2							
6	1	23000-070000	CLAMP 70	2							

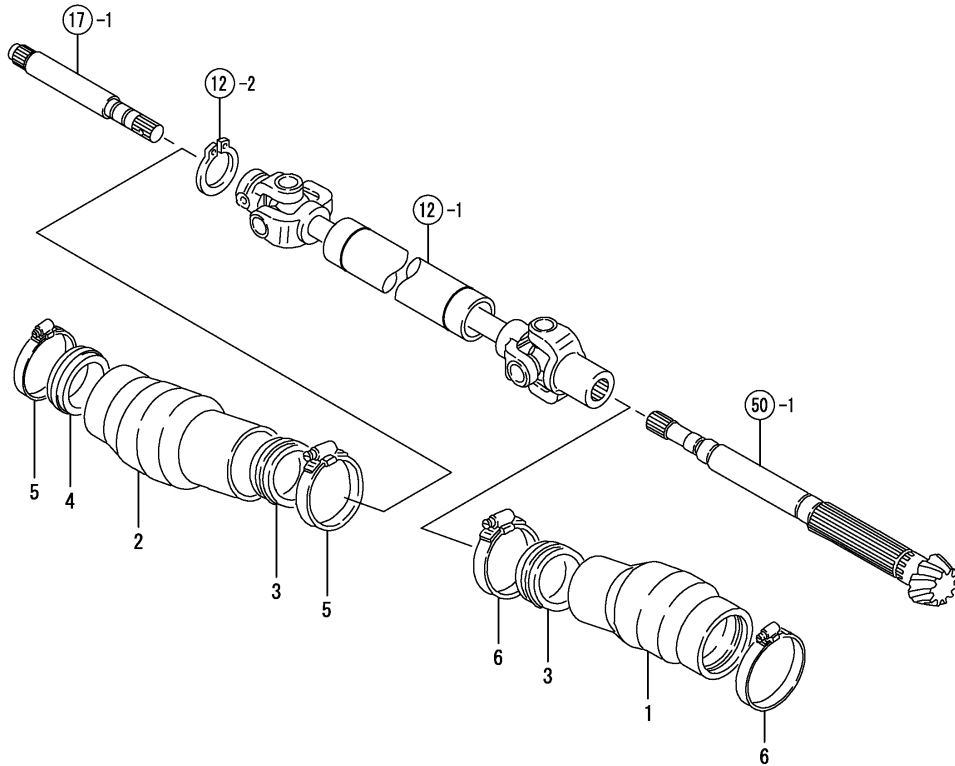


Fig.20. FRONT WHEEL TIRE

(A)=KE-20T-AU-PQ
(B)=
(C)=

(D)=
(E)=
(F)=

REF.	LEV.	PARTS NO.	DESCRIPTION	Q'TY						I	R
				(A)	(B)	(C)	(D)	(E)	(F)		
1	1	798531-14710	TIRE,FRONT L.H. KIT	1							
2	2	198531-14720	WHEEL DC3.00-12	1							
3	2	198531-14740	TIRE 5.00-12	1							
4	2	198531-14750	TUBE	1							
5	1	798531-14810	FRONT TIRE R.H. KIT	1							
6	2	198531-14720	WHEEL DC3.00-12	1							
7	2	198531-14740	TIRE 5.00-12	1							
8	2	198531-14750	TUBE	1							

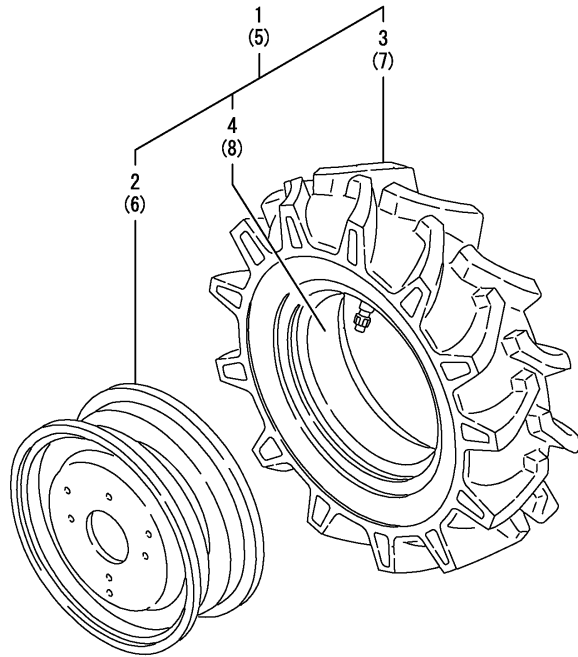


Fig.22. HUB BOLT

0CNP5-G06900 22. HUB BOLT

(A)=KE-20T-AU-PQ
(B)=
(C)=

(D)=
(E)=
(F)=

REF.	LEV.	PARTS NO.	DESCRIPTION	Q'TY						I	R
				(A)	(B)	(C)	(D)	(E)	(F)		
1	1	22217-140000	SPRING WASHER 14	8							
2	1	26086-140252	BOLT 14* 25	8							

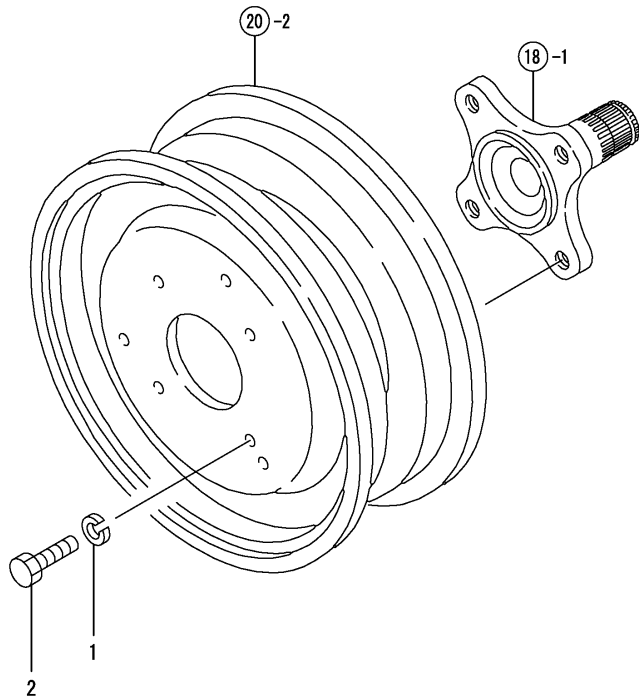
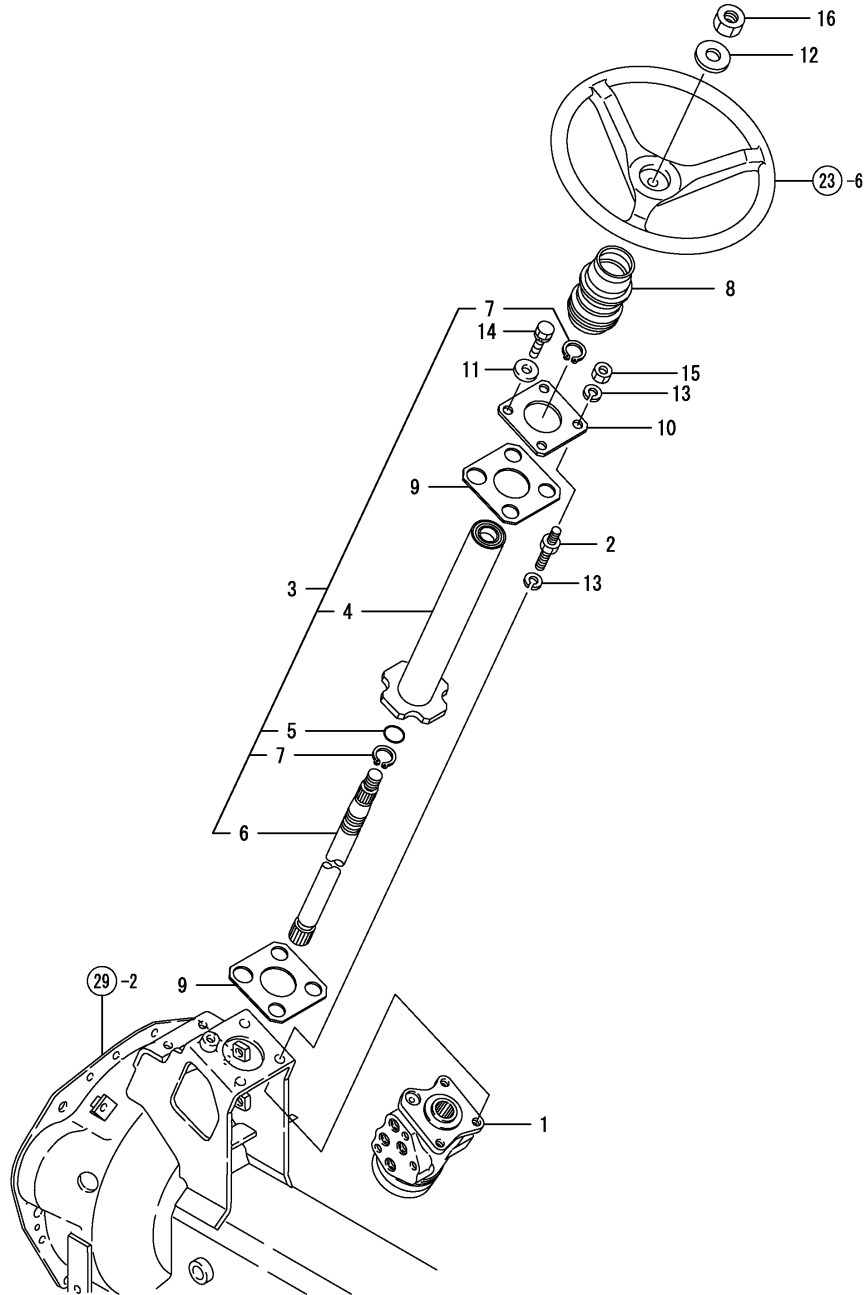


Fig.24. PST VALVE

(A)=KE-20T-AU-PQ
(B)=
(C)=

(D)=
(E)=
(F)=



REF.	LEV.	PARTS NO.	DESCRIPTION	QTY						I	R
				(A)	(B)	(C)	(D)	(E)	(F)		
1	1	1A7720-17300	VALVE ASSY, STEERING	1							
2	1	198165-17310	BOLT M 10, ST COLUM	3							
3	1	198164-17410	COLUMN ,SET	1							
4	2	198164-17420	COLUMN,CMP P.S.T	1							
5	2	198164-17450	PACKING	1							
6	2	198164-17461	STEERING WHEEL SHAFT	1							
7	2	22242-000200	CIRCLIP 20	2							
8	1	198164-17470	BOOT ASSY, STEERING	1							
9	1	198165-17481	RUBBER, ST COLUMN	2							
10	1	198164-17500	PLATE, ST COLUMN	1							
11	1	22137-100000	WASHER 10,POLISHED	1							
12	1	22137-160000	WASHER 16,POLISHED	1							
13	1	22217-100000	SPRING WASHER 10	6							
14	1	26016-100162	BOLT M10X 16	1							
15	1	26736-100002	NUT M10	3							
16	1	26776-160002	LOCK NUT M16 PLATED	1							

Fig.25. STEERING CYLINDER

0CNP5-G06900 25. STEERING CYLINDER

(A)=KE-20T-AU-PQ

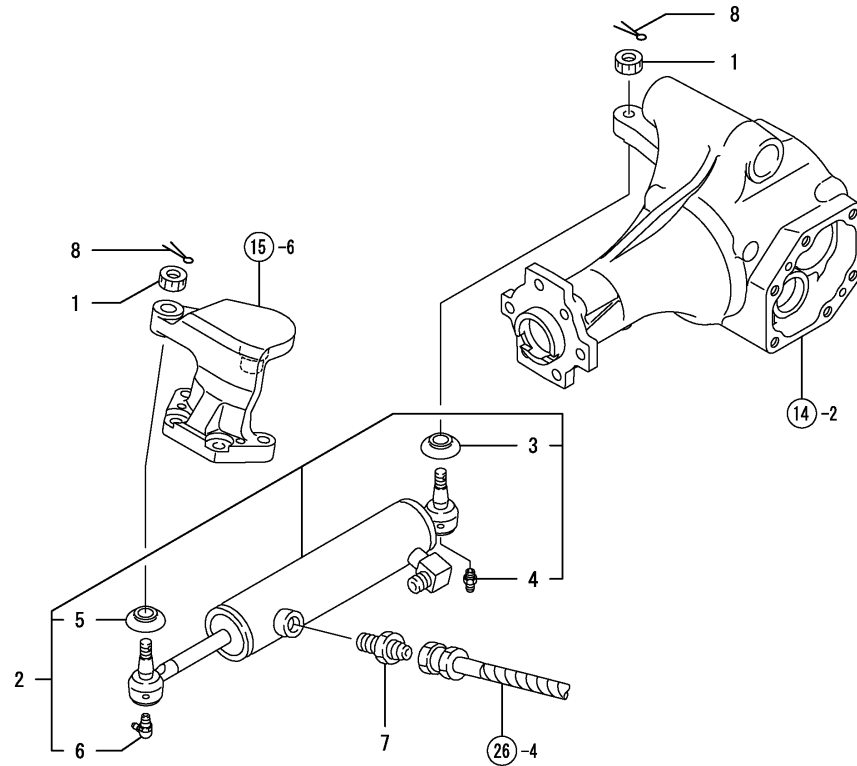
(B)=

(C)=

(D)=

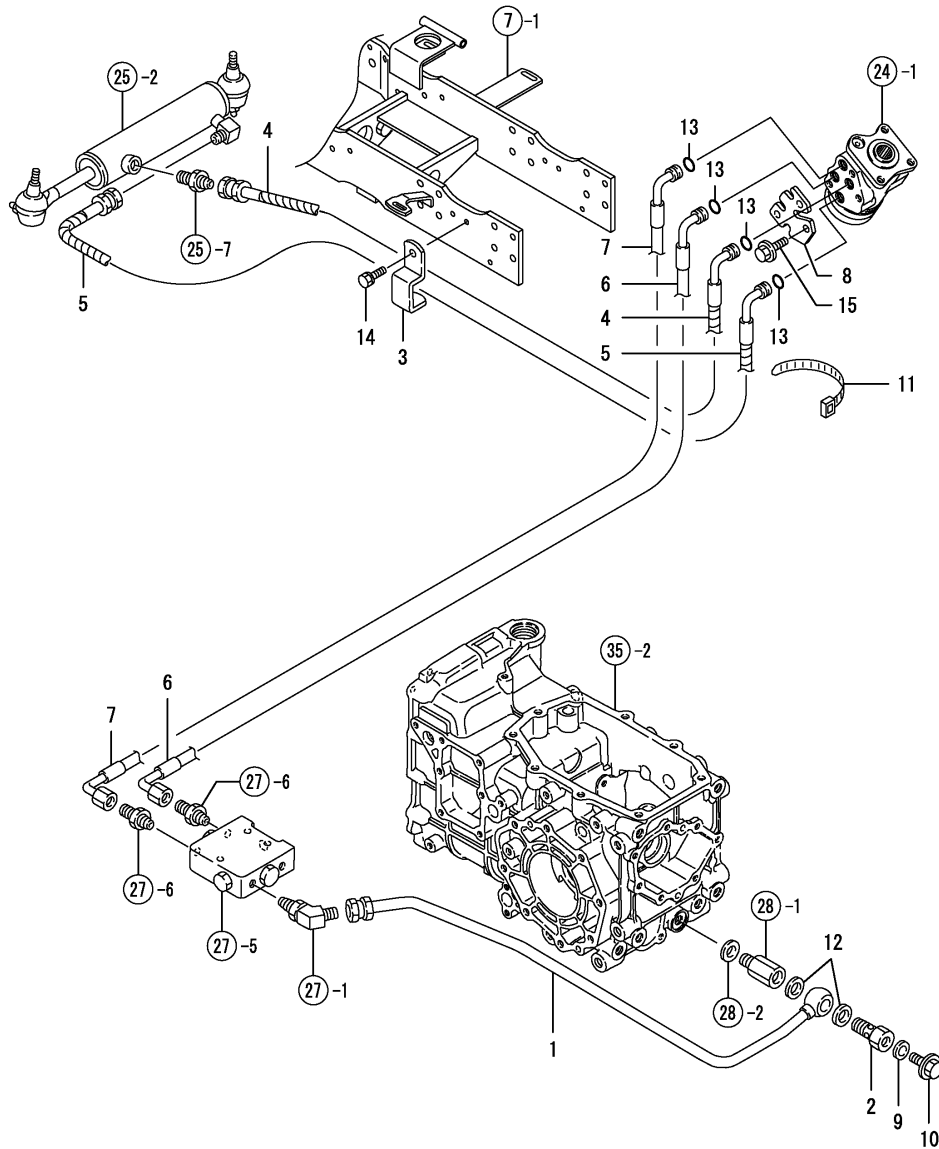
(E)=

(F)=



REF.	LEV.	PARTS NO.	DESCRIPTION	Q'TY						I	R
				(A)	(B)	(C)	(D)	(E)	(F)		
1	1	194215-12340	NUT M10	2							
2	1	198164-17540	CYLINDER, PS	1							
3	2	194300-13340	COVER,DUST	1							
4	2	24761-060000	NIPPLE MT6X1, GREASE	1							
5	2	194300-13340	COVER,DUST	1							
6	2	198435-16230	GREASE FITTING	1							
7	1	172520-76210	FITTING 1/4	1							
8	1	22417-250250	COTTER PIN 2.5X25	2							

Fig.26. PST PIPING(A)



OCNP5-G06900 26. PST PIPING(A)

(A)=KE-20T-AU-PQ
(B)=
(C)=

(D)=
(E)=
(F)=

REF.	LEV.	PARTS NO.	DESCRIPTION	QTY						I	R
				(A)	(B)	(C)	(D)	(E)	(F)		
1	1	198163-17752	PIPE, DRAIN PS	1							
2	1	198163-17771	BOLT 18, JOINT	1							
3	1	198164-17780	CLAMP	1							
4	1	1A7720-17811	HOSE, HYDRAULIC	1							
5	1	1A7720-17821	HOSE, HYDRAULIC	1							
6	1	1A7720-17830	HOSE, HYDRAULIC	1							
7	1	1A7720-17840	HOSE, HYDRAULIC	1							
8	1	198200-17910	PLATE,	1							
9	1	198165-24440	GASKET(20*12*2	1							
10	1	198165-24490	BOLT M 12X 12 PLATED	1							
11	1	194250-51660	BAND 250	2							
12	1	23414-180023	GASKET 18	2							
13	1	24311-000120	O-RING 1A P-12.0	4							
14	1	26016-080122	BOLT M 8X 12	1							
15	1	26136-100162	BOLT, 10 X 16	3							

Fig.27. FLOW DIVIDER

(A)=KE-20T-AU-PQ
(B)=
(C)=

(D)=
(E)=
(F)=

REF.	LEV.	PARTS NO.	DESCRIPTION	Q'TY						I	R
				(A)	(B)	(C)	(D)	(E)	(F)		
1	1	198165-17711	ELBO, 45	2							
2	1	198164-17830	BRACKET ASSY, FD	1							
3	1	198164-17850	PLATE ASS, FD	1							
4	1	198163-17870	STAY, FD	1							
5	1	198164-17900	DIVIDER.,FLOW KIT	1							
6	1	172520-76210	FITTING 1/4	2							
7	1	172510-76310	ELBOW 3/8	1							
8	1	26018-080252	BOLT M8X 25	3							
9	1	26106-080502	BOLT M 8X 50 PLATED	3							

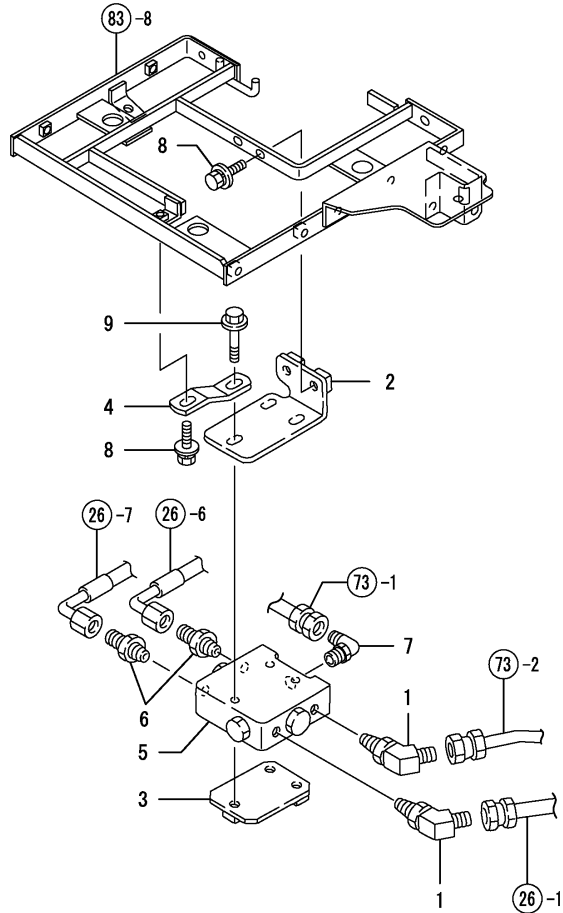


Fig.28. PST PIPING(B)

(A)=KE-20T-AU-PQ
(B)=
(C)=

(D)=
(E)=
(F)=

REF.	LEV.	PARTS NO.	DESCRIPTION	Q'TY						I	R
				(A)	(B)	(C)	(D)	(E)	(F)		
1	1	198163-17760	ADAPTER	1							
2	1	23414-140018	GASKET 14	1							

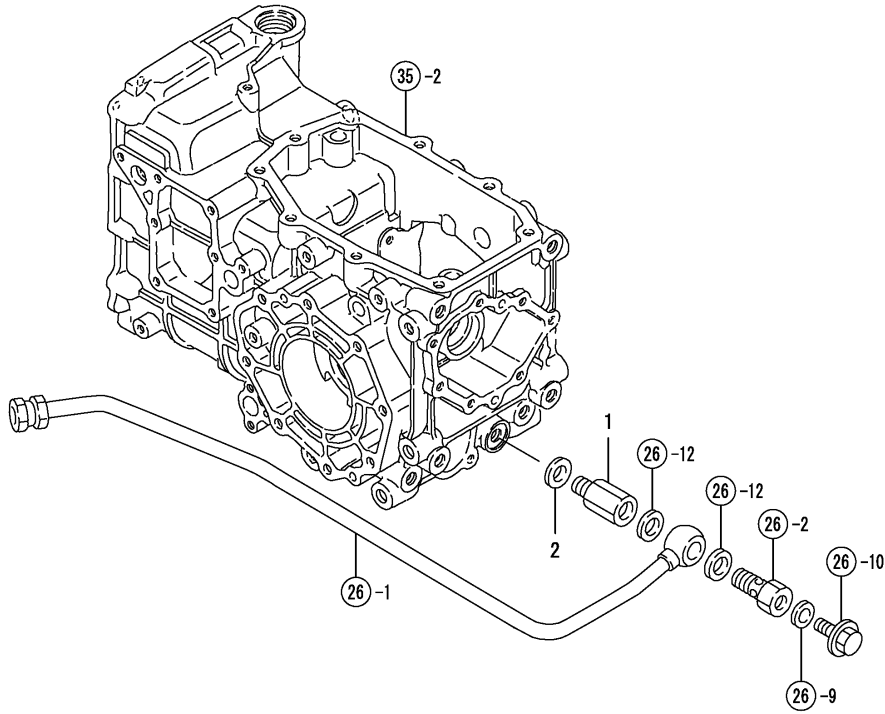


Fig.29. CLUTCH HOUSING

(A)=KE-20T-AU-PQ

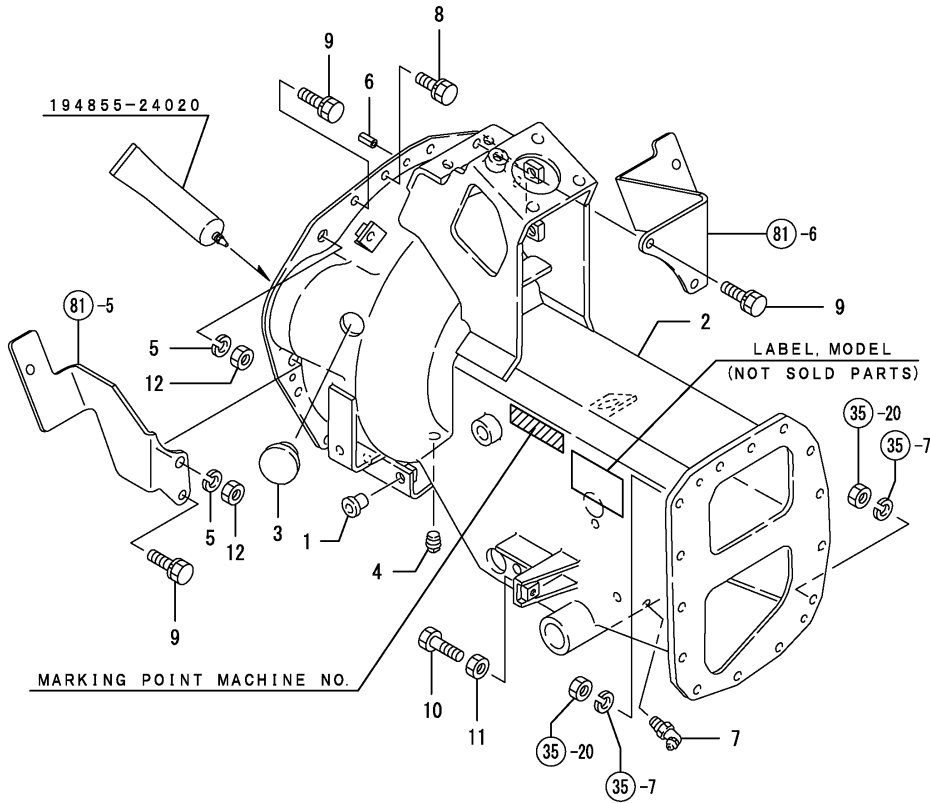
(B)=

(C)=

(D)=

(E)=

(F)=



REF.	LEV.	PARTS NO.	DESCRIPTION	QTY						I	R
				(A)	(B)	(C)	(D)	(E)	(F)		
1	1	194201-11230	CAP 11X21	4							
2	1	198163-21100	CLUTCH HOUSING ASSY	1							
3	1	194300-21460	CAP	1							
4	1	194151-36670	PLUG PT02	1							
5	1	22217-100000	SPRING WASHER 10	2							
6	1	22351-080016	SPRING PIN 8X16	2							
7	1	24761-040000	NIPPLE B,GREASE	1							
8	1	26013-080122	BOLT M 8X 12	2							
9	1	26013-080202	BOLT W/WASHER M8X20	9							
10	1	26116-100352	BOLT 10X35	1							
11	1	26716-100002	NUT 10	1							
12	1	26716-100002	NUT 10	2							

Fig.30. CLUTCH DISC

0CNP5-G06900 30. CLUTCH DISC

(A)=KE-20T-AU-PQ
(B)=
(C)=

(D)=
(E)=
(F)=

REF.	LEV.	PARTS NO.	DESCRIPTION	Q'TY						I	R
				(A)	(B)	(C)	(D)	(E)	(F)		
1	1	198165-21450	DISC, CLUTCH	1							

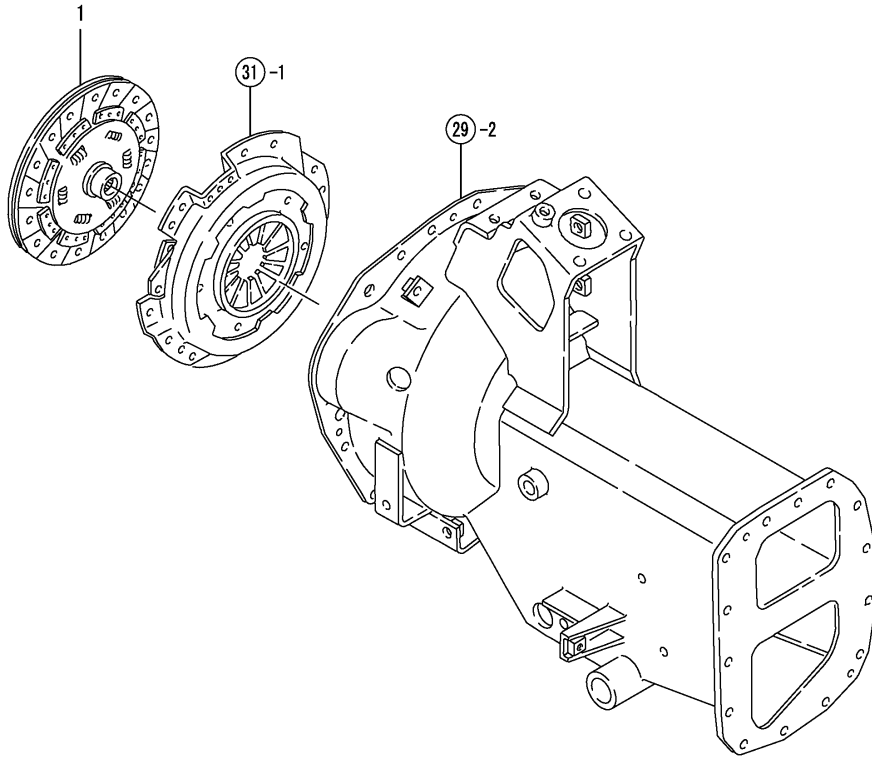


Fig.31. PRESSURE PLATE

0CNP5-G06900 31. PRESSURE PLATE

(A)=KE-20T-AU-PQ

(B)=

(C)=

(D)=

(E)=

(F)=

REF.	LEV.	PARTS NO.	DESCRIPTION	QTY						I	R
				(A)	(B)	(C)	(D)	(E)	(F)		
1	1	194215-21701	PRESSURE PLATE	1							
2	1	22351-080016	SPRING PIN 8X16	3							
3	1	26013-080162	BOLT W/WASHER M8X16	6							

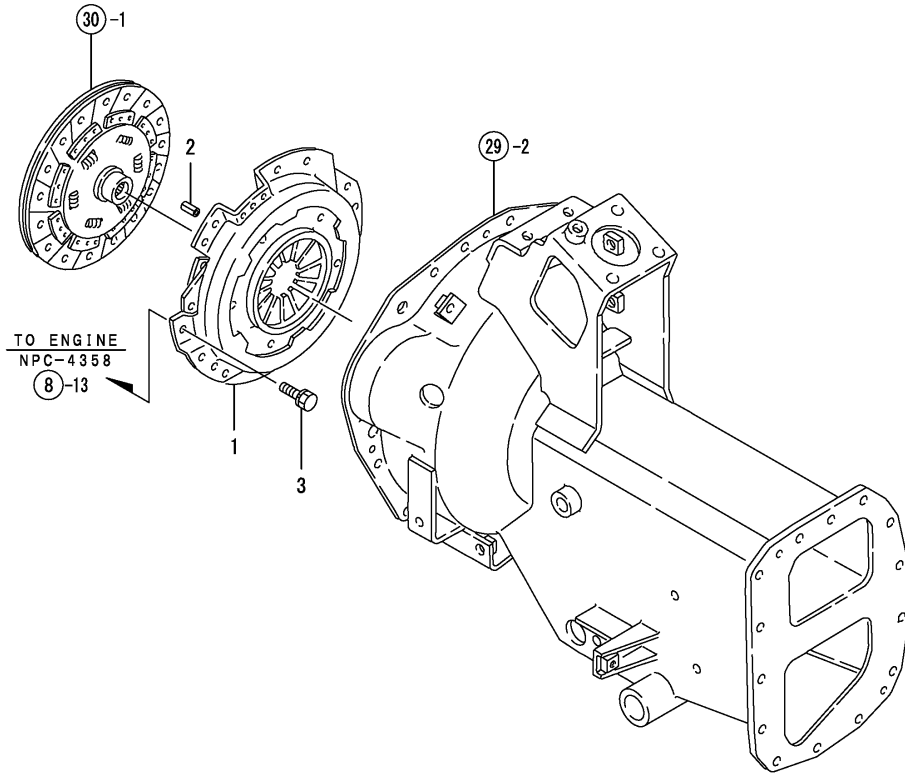
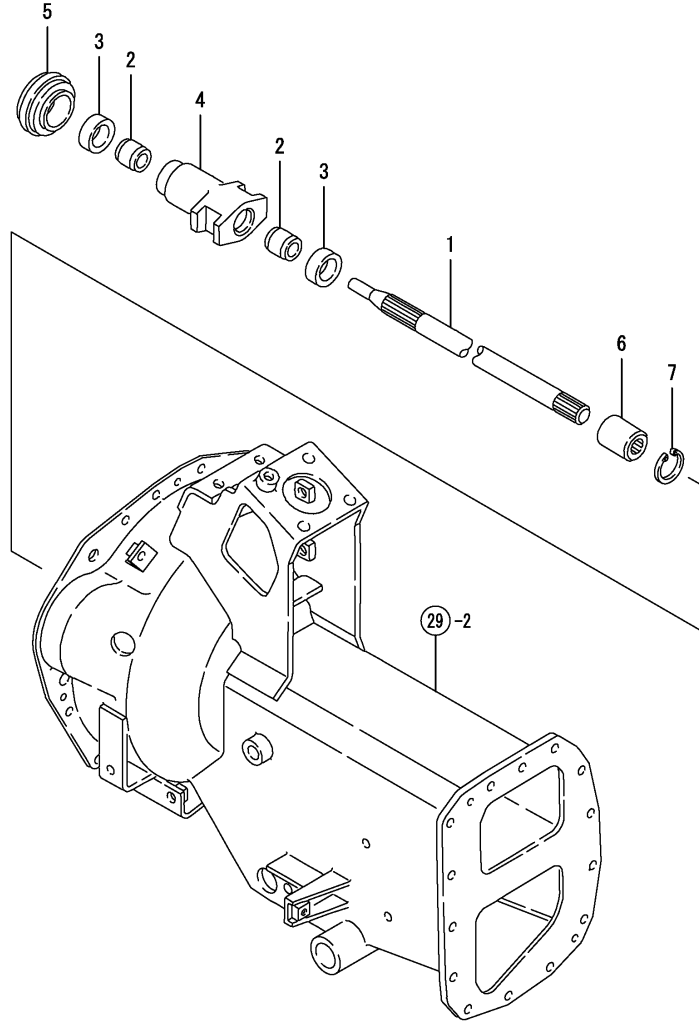


Fig.32. CLUTCH SHAFT

(A)=KE-20T-AU-PQ
(B)=
(C)=

(D)=
(E)=
(F)=



REF.	LEV.	PARTS NO.	DESCRIPTION	QTY						I	R	
				(A)	(B)	(C)	(D)	(E)	(F)			
1	1	198421-22110	SHAFT,MAIN DRIVE	1								
2	1	194215-22210	BUSH 20.4X25X20	2								
3	1	194215-22220	FELT	2								
4	1	194215-22230	SLEEVE, BEARING	1								
5	1	194300-22240	BEARING, RELEASE	1								
6	1	194310-25100	JOINT	1								
7	1	22252-000170	CIRCLIP 17	1								

Fig.34. CLUTCH PEDAL

(A)=KE-20T-AU-PQ

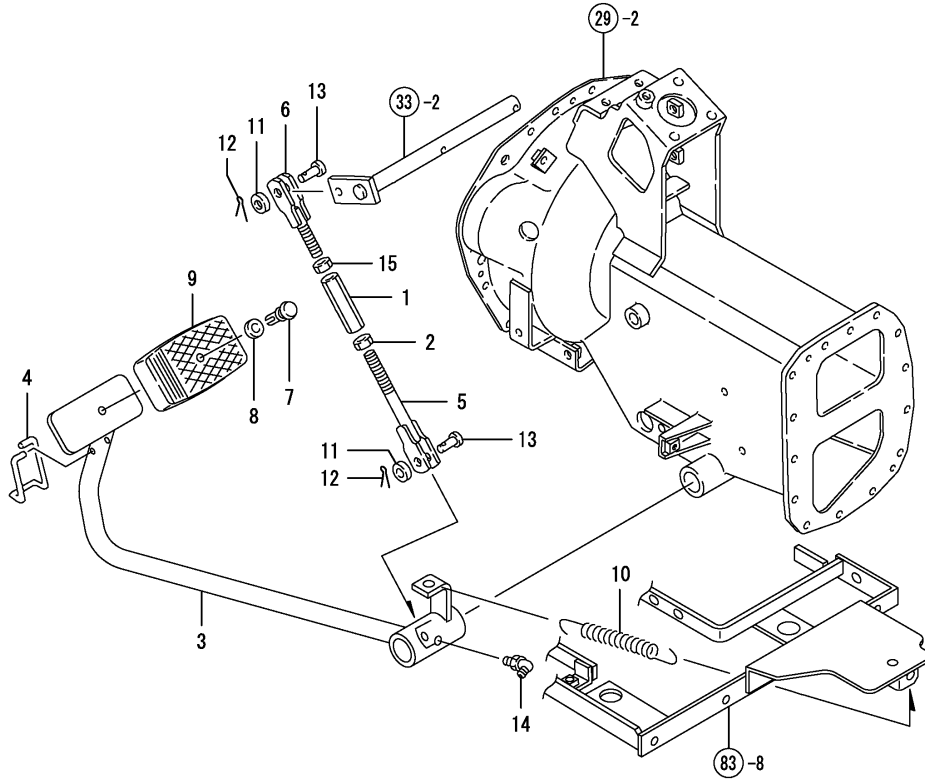
(B)=

(C)=

(D)=

(E)=

(F)=



REF.	LEV.	PARTS NO.	DESCRIPTION	QTY						I	R
				(A)	(B)	(C)	(D)	(E)	(F)		
1	1	194740-00322	TURNBUCKLE	1							
2	1	194990-20170	NUT W/WASHER 8	1							
3	1	198162-22410-1	PEDAL COMPL.,CLUTCH	1							
4	1	198421-22440	LEVER,CLUTCH LOCK	1							
5	1	198425-22450	ROD L COMP.,CLUTCH	1							
6	1	198425-22480	ROD R COMP.,CLUTCH	1							
7	1	198133-22510	RIVET,PEDAL HEAD	1							
8	1	198133-22530	WASHER,RIVET	1							
9	1	198071-37510	COVER,PEDAL HEAD	1							
10	1	198421-37511	SPRING,RETURN	1							
11	1	22137-080000	WASHER 8, POLISHED	2							
12	1	22417-200200	COTTER PIN 2.0X20	2							
13	1	22487-080160	PIN, H8X16	2							
14	1	24761-040000	NIPPLE B,GREASE	1							
15	1	26716-080002	NUT M 8	1							

Fig.35. TRANSMISSION CASE

(A)=KE-20T-AU-PQ

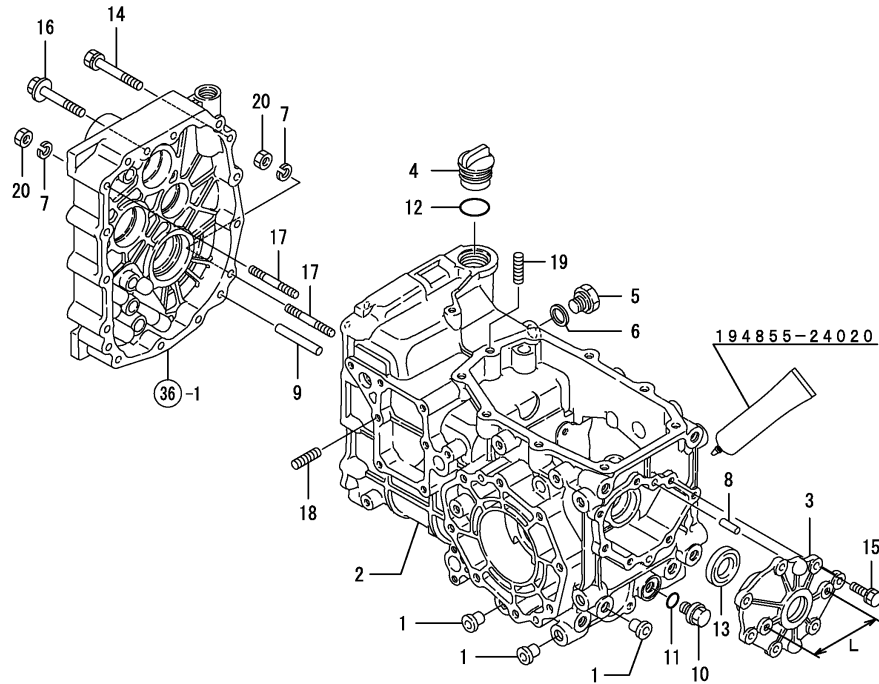
(B)=

(C)=

(D)=

(E)=

(F)=



REF.	LEV.	PARTS NO.	DESCRIPTION	QTY						I	R
				(A)	(B)	(C)	(D)	(E)	(F)		
1	1	194201-11230	CAP 11X21	6							
2	1	198425-24110-1	MISSION CASE	1							
3	1	198165-24120-2	REAR COVER,T.MISSION	1							
3-1	1	198165-24121-1 (A=FZZZZZ)	REAR COVER,T.MISSION	1							S 1
4	1	198435-24280	OIL CAP 33	1							
4-1	1	194855-24290 (A=*2008.09.)	CAP M20, OIL	1							N
5	1	194312-46750	PLUG PF3/8	1							
6	1	194555-77910	GASKET	1							
7	1	22217-080000	WASHER, 8	2							
8	1	22312-080160	PARALLEL PIN 8X 16	2							
9	1	22312-080630	PIN 8X63	2							
10	1	23491-140002	PLUG 14	1							
11	1	24311-000160	O-RING 1A P-16.0	1							
12	1	24351-020300	O-RING 1A 2030	1							
12-1	1	24311-000180 (A=*2008.09.)	O-RING 1A P-18.0	1							N
13	1	24421-284008	SEAL TC28 40 08, OIL	1							
14	1	26013-080702	BOLT M 8X 70	9							
15	1	26016-080252	BOLT M 8X 25	7							
16	1	26106-080702	BOLT M 8X 70 PLATED	3							
17	1	26226-080652	STUD M 8X 65 PLATED	2							
18	1	26228-080252	STUD,BOLT 8X25	1							
19	1	26228-100252	STUD,BOLT 10X25	1							
20	1	26716-080002	NUT M 8	2							

Remarks

(1) L= Ref.No.3 92M/M,3-1 90M/M.

N:Old $\xrightarrow{\text{Yes}}$ New, Q:Old $\xrightarrow{\text{No}}$ New, R:Old $\xrightarrow{\text{Yes}}$ New, S:Old $\xrightarrow{\text{No}}$ New, W:Add, Z:Discontinued, F:Interchangeable by set, K:Q'ty Change

Fig.36. CENTER PLATE

(A)=KE-20T-AU-PQ

(B)=

(C)=

(D)=

(E)=

(F)=

REF.	LEV.	PARTS NO.	DESCRIPTION	Q'TY						I	R
				(A)	(B)	(C)	(D)	(E)	(F)		
1	1	198163-24321	PLATE	1							
2	1	198165-24330	SEAL TC254208,OIL	1							
3	1	198164-24510	PACKING,TRANSM.CASE	1							
4	1	22252-000420	CIRCLIP 42	1							
5	1	24421-173508	SEAL TC17 35 08, OIL	1							
6	1	24430-305005	SEAL, VC305005	1							

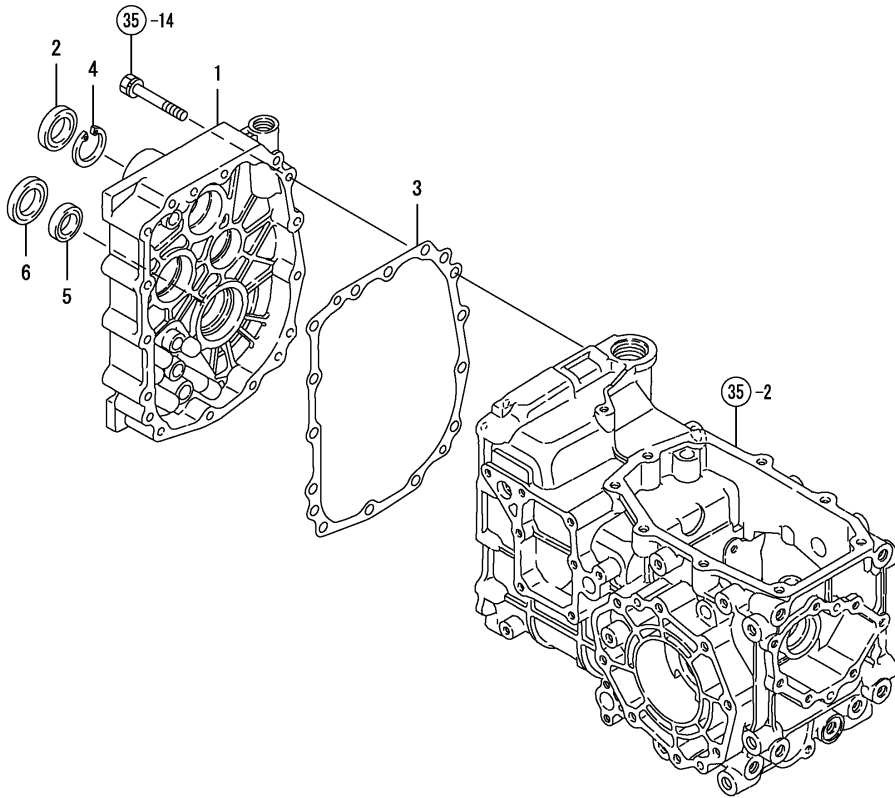


Fig.37. OIL GGAUGE

0CNP5-G06900 37. OIL GGAUGE

(A)=KE-20T-AU-PQ
(B)=
(C)=

(D)=
(E)=
(F)=

REF.	LEV.	PARTS NO.	DESCRIPTION	Q'TY						I	R
				(A)	(B)	(C)	(D)	(E)	(F)		
1	1	198435-24290	GAUGE,OIL LEVEL	1							
2	1	24311-000180	O-RING 1A P-18.0	1							

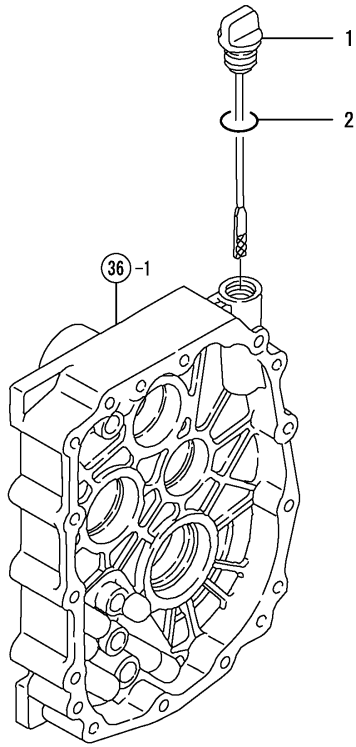


Fig.38. OIL STRAINER

(A)=KE-20T-AU-PQ
(B)=
(C)=

(D)=
(E)=
(F)=

REF.	LEV.	PARTS NO.	DESCRIPTION	Q'TY						I	R	
				(A)	(B)	(C)	(D)	(E)	(F)			
1	1	198421-24910	STRAINER,OIL	1								
2	1	194215-24970-1	COVER, STRAINER	1								
3	1	24341-000500	O-RING 1A S-50.0	1								
3-1	1	1A7870-24980 (A=FXXXXXX)	PACKING,SUCTION	1								R
4	1	26013-080252	BOLT M 8X 25	2								

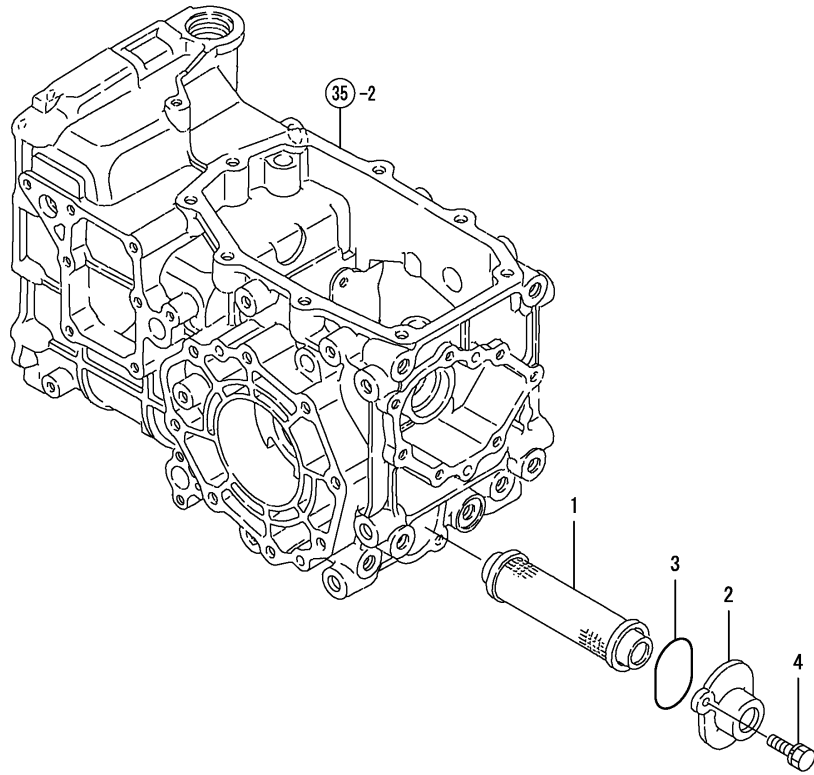


Fig.39. INPUT SHAFT

(A)=KE-20T-AU-PQ

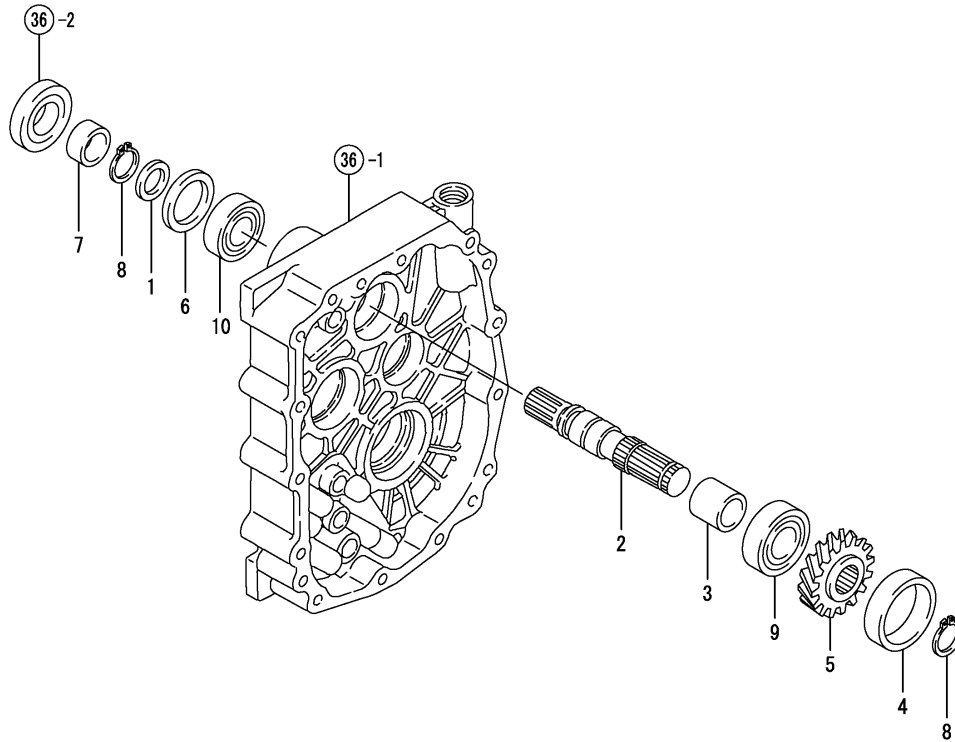
(B)=

(C)=

(D)=

(E)=

(F)=



REF.	LEV.	PARTS NO.	DESCRIPTION	Q'TY						I	R
				(A)	(B)	(C)	(D)	(E)	(F)		
1	1	194305-24310	COLLAR 20X25X2	1							
2	1	198163-25111	INPUT SHAFT	1							
3	1	198435-25130	COLLAR 20.8X25.4X19	1							
4	1	1A7740-25130	COLLAR	1							
5	1	198164-25150	GEAR 17,MAIN DRIVE	1							
6	1	198163-25280	COLLAR	1							
7	1	194855-25290	SLEEVE SI 202513	1							
8	1	194859-34150	RING 20	2							
9	1	24101-062044	BALL BEARING #6204	1							
10	1	24104-060044	BALL BEARING	1							

Fig.40. MAIN SHAFT

(A)=KE-20T-AU-PQ

(B)=

(C)=

(D)=

(E)=

(F)=

REF.	LEV.	PARTS NO.	DESCRIPTION	QTY						I	R
				(A)	(B)	(C)	(D)	(E)	(F)		
1	1	194306-13140	CIRCLIP 24-S	1							
2	1	1E4070-14040	LINER 17.1X25X1	1							
3	1	194305-25160	BALL BEARING	1							
4	1	198164-25210	SHAFT, MAIN	1							
5	1	198163-25221	GEAR,MAIN Z=25-19-18	1							
6	1	198164-25230	GEAR,MAIN Z=44	1							
7	1	198435-25240	GEAR 31,MAIN	1							
8	1	198163-25250	BEARING ASSY, THRUST	1							
9	1	198421-25250	GEAR 16,MAIN	1							
10	1	198435-25280	SPACER 30X20.2	1							
11	1	198435-25310	SPACER 30X7.95	1							
12	1	194856-25330	WASHER 22X32X2.5	1							
13	1	194856-25340	NEEDLE BEARING	2							
14	1	24101-062034	BALL BEARING	1							

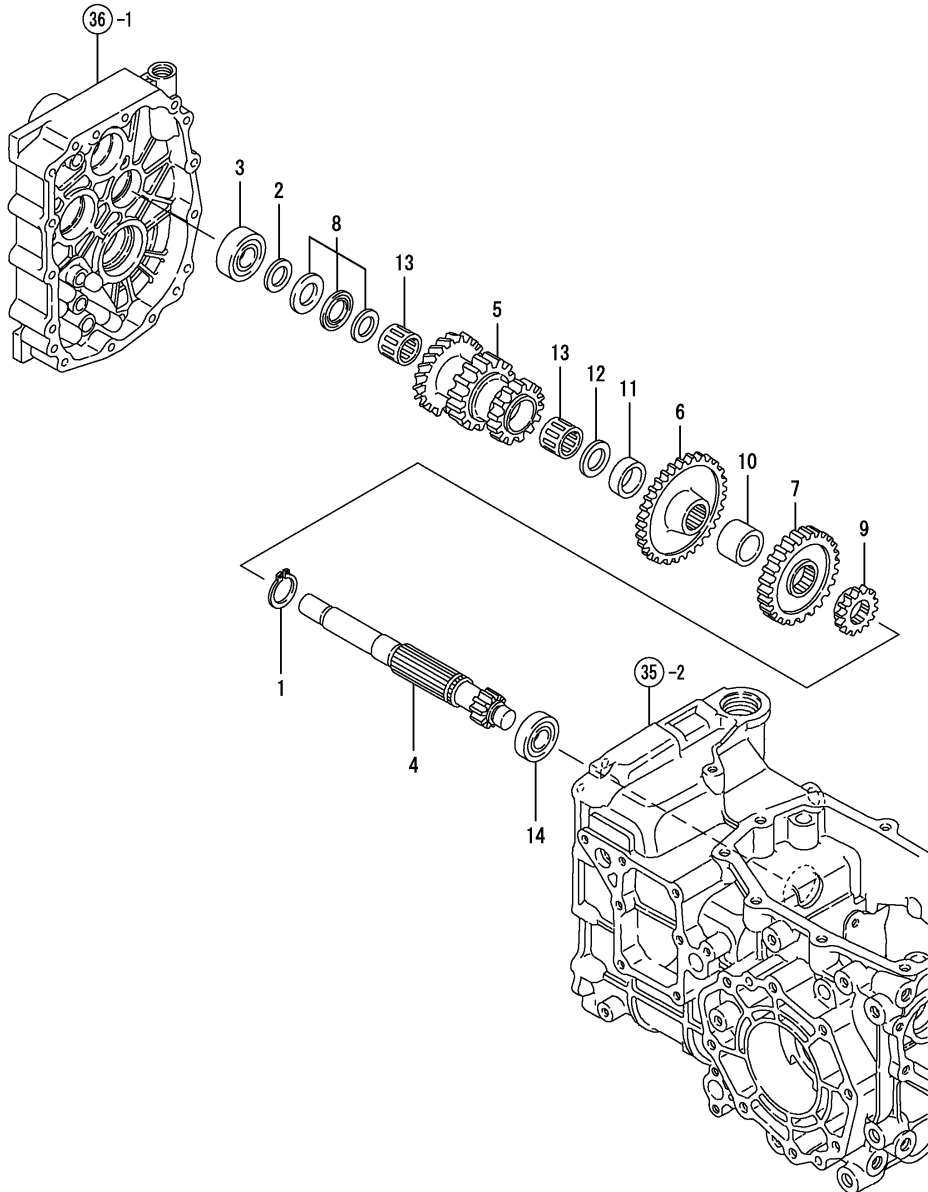


Fig.41. COUNTER SHAFT

(A)=KE-20T-AU-PQ

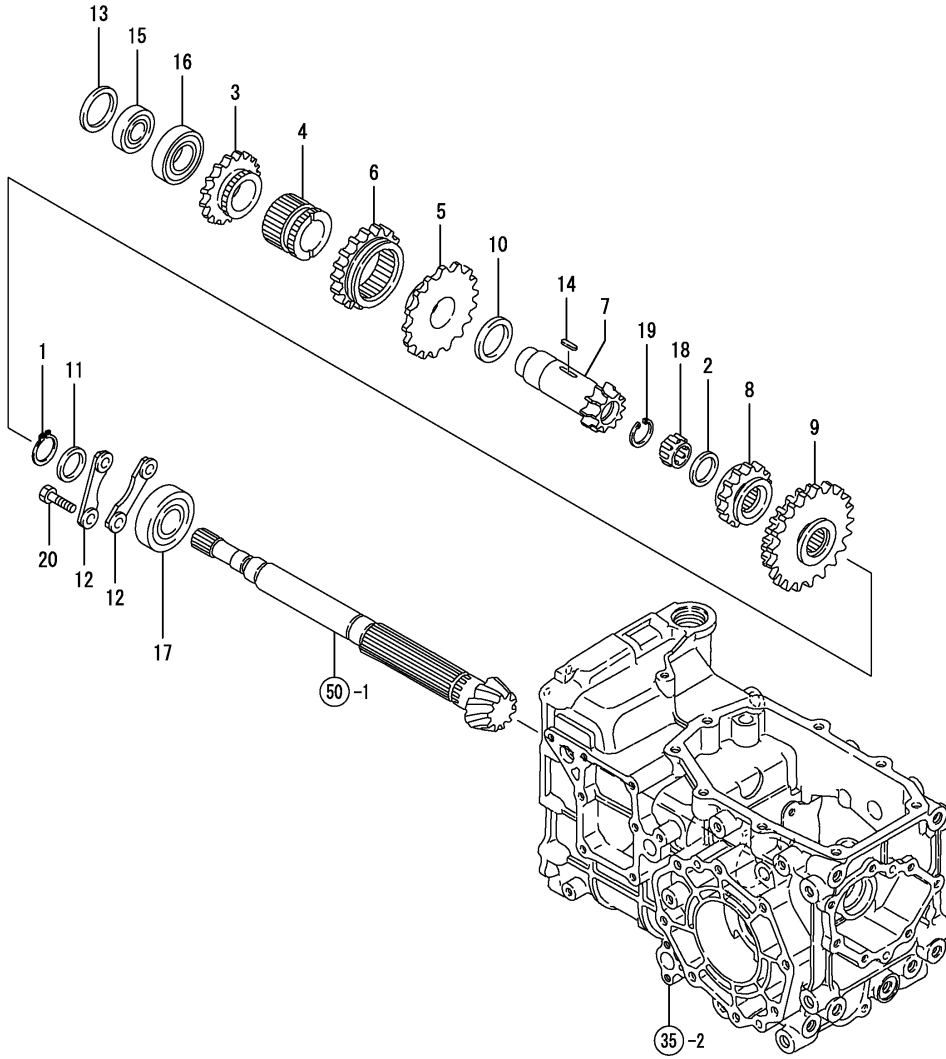
(B)=

(C)=

(D)=

(E)=

(F)=



REF.	LEV.	PARTS NO.	DESCRIPTION	Q'TY						I	R
				(A)	(B)	(C)	(D)	(E)	(F)		
1	1	194306-13140	CIRCLIP 24-S	1							
2	1	194856-25330	WASHER 22X32X2.5	1							
3	1	198435-25720	GEAR 26,COUNTER	1							
4	1	198435-25730	COLLAR,COUNTR.SPLINE	1							
5	1	198163-25740	GEAR, COUNTER	1							
6	1	198163-25750	GEAR,COUNTER	1							
7	1	198164-25770	GEAR,COUNTER Z=16	1							
8	1	198164-25790	GEAR,SLIDE Z=24	1							
9	1	198164-25800	GEAR,SLIDE Z=38-58	1							
10	1	198421-25800	WASHER 35X47X2.5,THR	1							
11	1	198421-25810	COLLAR 25X36X4.5	1							
12	1	198435-25810	BEARING HOLDER	2							
13	1	198421-25820	COLLAR 32X41.5X1	1							
14	1	22551-050180	KEY 5X18	1							
15	1	24101-060044	BALL BEARING #6004	1							
16	1	24101-060064	BALL BEARING	1							
17	1	24101-063054	BEARING #6305	1							
18	1	24161-222610	NEEDLE BEARING	1							
19	1	24165-000262	CIRCLIP 26	1							
20	1	26116-080202	BOLT M 8X 20 PLATED	4							

Fig.42. PTO DRIVE SHAFT

(A)=KE-20T-AU-PQ

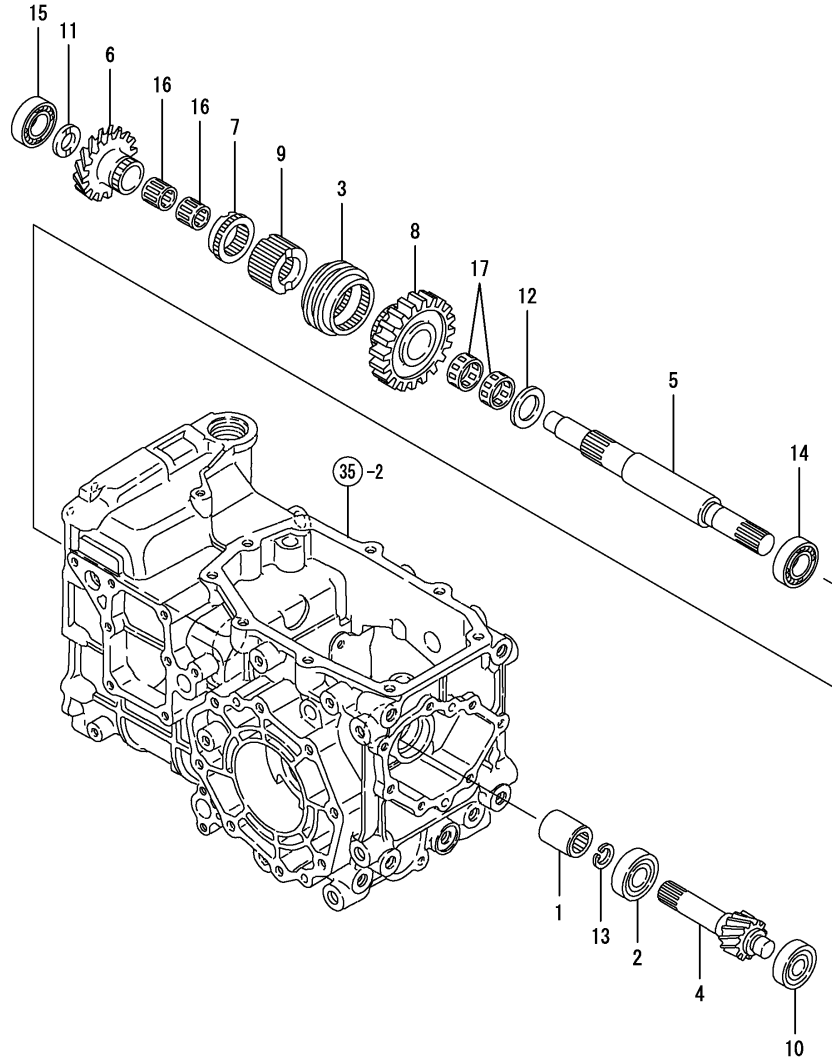
(B)=

(C)=

(D)=

(E)=

(F)=



REF.	LEV.	PARTS NO.	DESCRIPTION	QTY						I	R
				(A)	(B)	(C)	(D)	(E)	(F)		
1	1	194310-25100	JOINT	1							
2	1	194515-25180	BALL BEARING	1							
3	1	198163-26121	GEAR, PTO SLIDE	1							
4	1	198162-26130	GEAR 11,P.T.O.	1							
5	1	198164-26140	SHAFT,P.T.O.DRIVE	1							
6	1	198163-26153	GEAR,PTO DRIVE Z=24	1							
7	1	198163-26162	GEAR, SPLINE COLLAR	1							
8	1	1A7720-26180	GEAR, PTO DRIVE Z=29	1							
9	1	198163-26190	COLLAR,PTO SPLINE	1							
10	1	198165-26270	BEARING TMB302	1							
11	1	198163-26410	WASHER	1							
12	1	194191-28540	WASHER 25X38X 2.5	1							
13	1	22252-000170	CIRCLIP 17	1							
14	1	24104-060044	BALL BEARING	1							
15	1	24104-063034	BALL BEARING	1							
16	1	24161-202417	BEARING	2							
17	1	24161-252910	NEEDLE BEARING	2							

Fig.44. MAIN SHIFT

(A)=KE-20T-AU-PQ

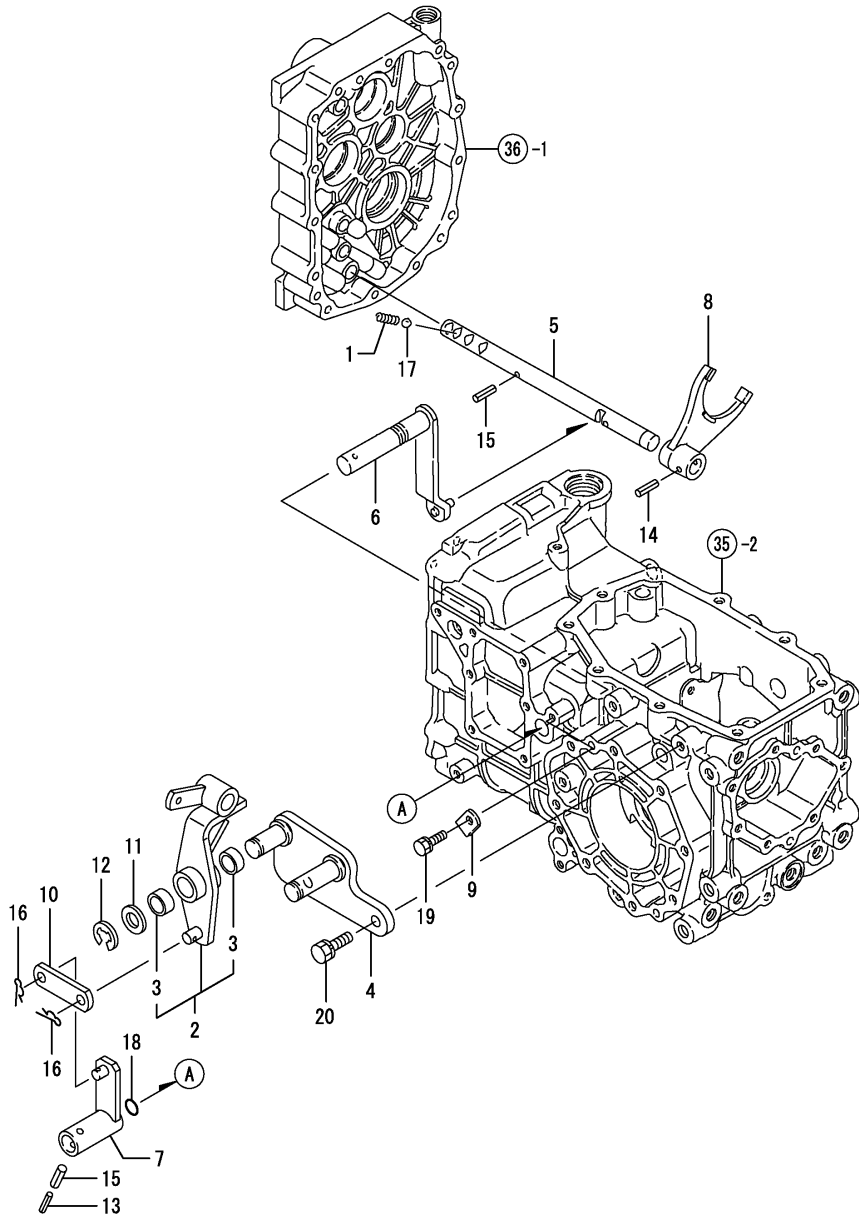
(B)=

(C)=

(D)=

(E)=

(F)=

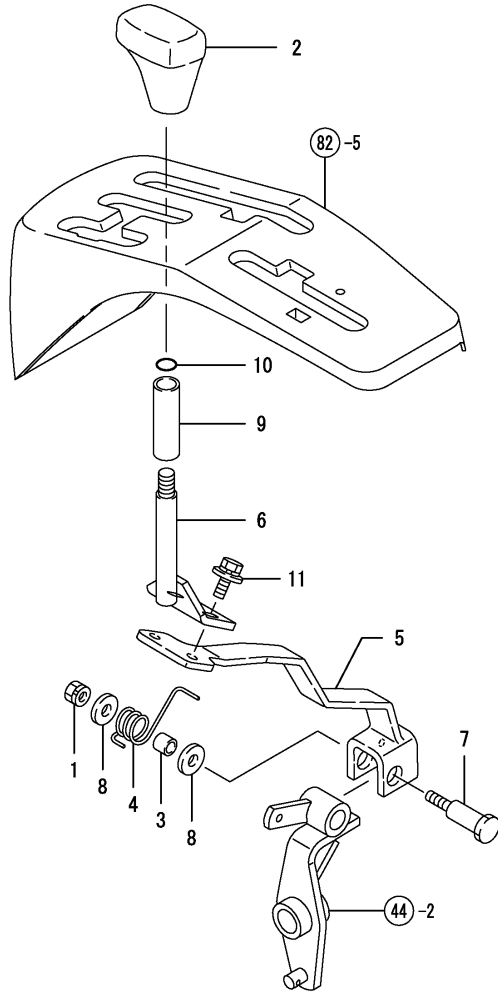


REF.	LEV.	PARTS NO.	DESCRIPTION	QTY						I	R
				(A)	(B)	(C)	(D)	(E)	(F)		
1	1	198421-27110	SPRING 38.4	1							
2	1	198163-27200	LEVER KIT,MAIN RANGE	1							
3	2	24550-018100	BUSH 18X10	2							
4	1	198163-27510	BRACKET, LEVER	1							
5	1	198163-27520	SHAFT FORK,M.CHANGE	1							
6	1	198421-27521	ARM, SHIFT	1							
7	1	198163-27531	LEVER A,MAIN CHANGE	1							
8	1	198435-27551	FORK, SHIFT	1							
9	1	194197-27681	PLATE, KEEP	1							
10	1	198327-47930	PLATE, LINK	1							
11	1	22137-180000	WASHER 18	1							
12	1	22272-000150	CIRCLIP E-15	1							
13	1	22351-035025	SPRING PIN 3.5X25	1							
14	1	22351-060020	SPRING PIN 6X20	1							
15	1	22351-060025	SPRING PIN 6X25	2							
16	1	22360-100000	SNAP PIN 10	2							
17	1	24190-100001	BALL 5/16, STEEL	1							
18	1	24311-000125	O-RING 1A P-12.5	1							
19	1	26013-080202	BOLT W/WASHER M8X20	1							
20	1	26013-100252	BOLT W/WASHER M10X25	2							

Fig.45. MAIN CHANGE LEVER

(A)=KE-20T-AU-PQ
(B)=
(C)=

(D)=
(E)=
(F)=



REF.	LEV.	PARTS NO.	DESCRIPTION	Q'TY						I	R
				(A)	(B)	(C)	(D)	(E)	(F)		
1	1	194990-22050	NUT W/WASHER 8	1							
2	1	1A7720-27240	KNOB	1							
3	1	198163-27540	COLLAR	1							
4	1	198163-27560	SPRING	1							
5	1	198163-27572	LEVER, M.RANGE INNER	1							
6	1	198163-27630	LEVER,MAIN CHANGE	1							
7	1	198163-27910	PIN	1							
8	1	22157-080000	WASHER 8	2							
9	1	23061-150065	HOSE, 15 X 65	1							
10	1	24311-000110	O-RING 1A P-11.0	1							
11	1	26018-080202	BOLT M 8X 20	2							

Fig.46. RANGE SHIFT

(A)=KE-20T-AU-PQ

(B)=

(C)=

(D)=

(E)=

(F)=

REF.	LEV.	PARTS NO.	DESCRIPTION	Q'TY						I	R
				(A)	(B)	(C)	(D)	(E)	(F)		
1	1	194990-22140	NUT W/WASHER 8	1							
2	1	1A1040-26320	CIRCLIP 30-H	1							
3	1	198421-27110	SPRING 38.4	2							
4	1	198163-27120	SHAFT H,FORK	1							
5	1	198163-27130	SHAFT L,FORK	1							
6	1	198435-27142	FORK, SHIFT	1							
7	1	198164-27150	FORK, SHIFT L	1							
8	1	198421-27160	ARM,MAIN CHANGE	1							
9	1	198421-27170-1	CASE,MAIN CHANGE	1							
10	1	198421-27180	BOOT,RUBBER	1							
11	1	1A7720-27190	SPINDLE S, 8X19	1							
12	1	198421-27200	BUSH 17X19X15	1							
13	1	198425-27213	CASE,FORK SHAFT	1							
14	1	198421-27221	PACKING, SHAFT CASE	1							
15	1	198425-27230	COLLAR,FORK SHAFT CS	1							
16	1	198435-27260-1	LEVER,SUB-CHG.LOWER	1							
17	1	198425-27290	O RING 35	1							
18	1	1E6140-56230	BALL, SHIFTER	1							
19	1	22217-100000	SPRING WASHER 10	1							
20	1	22287-080000	LOCKING WASHER	1							
21	1	22351-050020	SPRING PIN 5X20	2							
22	1	22351-050025	SPRING PIN 5X25	1							
23	1	22351-060040	SPRING PIN 6X40	1							
24	1	24190-100001	BALL 5/16, STEEL	2							
25	1	26013-080552	BOLT M 8X 55	1							
26	1	26016-080252	BOLT M 8X 25	4							
27	1	26016-080252	BOLT M 8X 25	3							
28	1	26016-080402	BOLT M 8X 40	1							
29	1	26018-080452	BOLT 8X 45	1							
30	1	26116-080304	BOLT M8 X 30 PLATED	1							
31	1	26116-100122	BOLT M10X 12 PLATED	1							
32	1	26716-080002	NUT M 8	1							

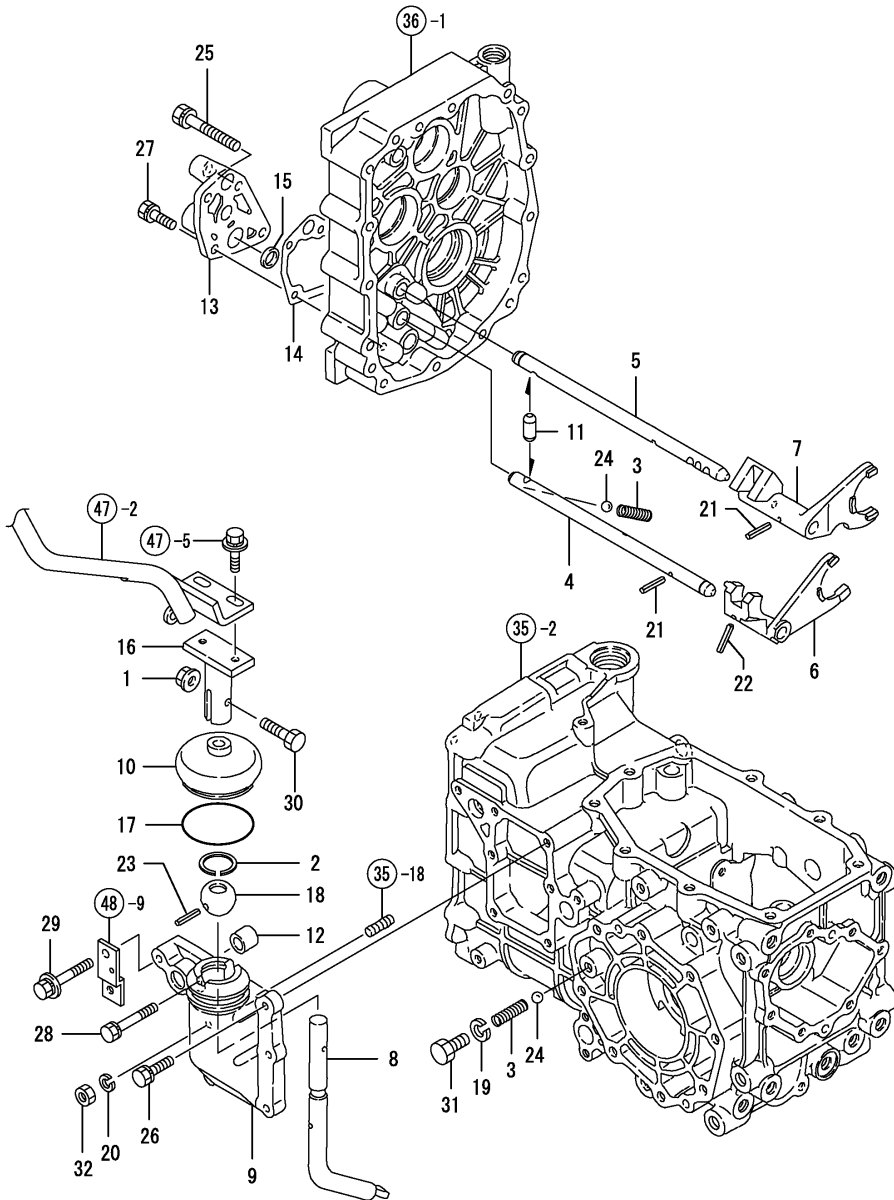


Fig.47. SUB CHANGE LEVER

0CNP5-G06900 47. SUB CHANGE LEVER

(A)=KE-20T-AU-PQ
(B)=
(C)=

(D)=
(E)=
(F)=

REF.	LEV.	PARTS NO.	DESCRIPTION	Q'TY						I	R
				(A)	(B)	(C)	(D)	(E)	(F)		
1	1	1A7720-27240	KNOB	1							
2	1	198163-27270	LEVER,SUB-CHANGE	1							
3	1	198165-27360	LEVER TUBE	1							
4	1	24311-000110	O-RING 1A P-11.0	1							
5	1	26018-080202	BOLT M 8X 20	2							

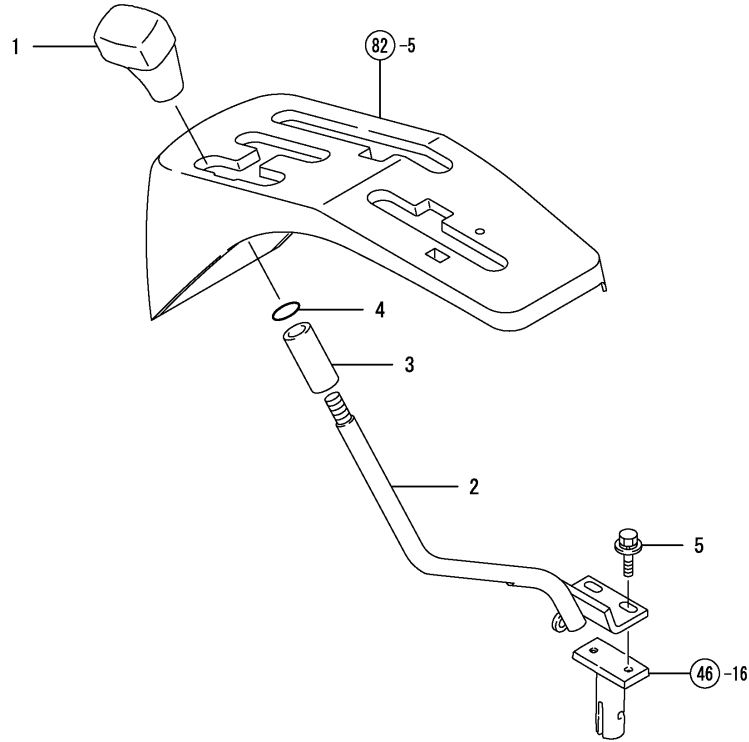


Fig.48. PTO SHIFT

(A)=KE-20T-AU-PQ

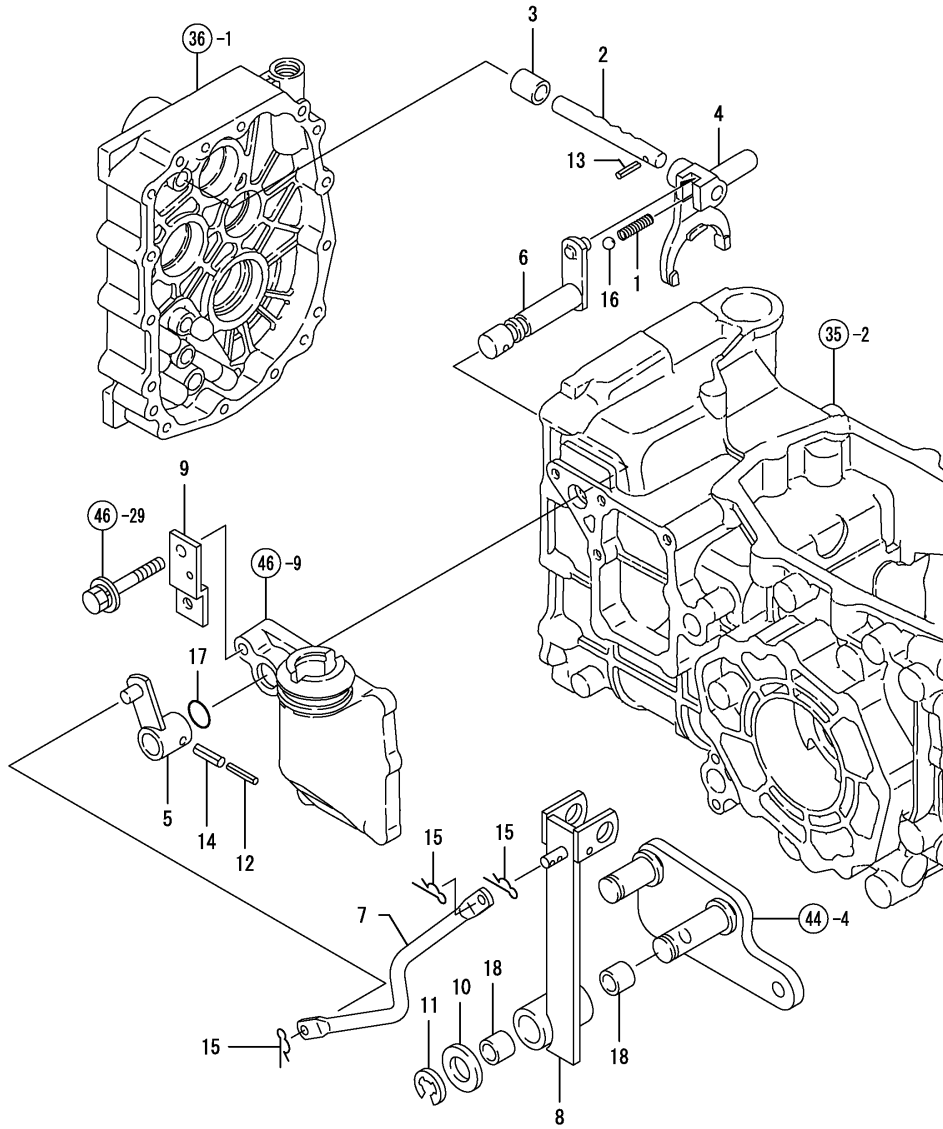
(B)=

(C)=

(D)=

(E)=

(F)=



REF.	LEV.	PARTS NO.	DESCRIPTION	QTY						I	R
				(A)	(B)	(C)	(D)	(E)	(F)		
1	1	198421-27110	SPRING 38.4	1							
2	1	198163-27711	FORK SHAFT	1							
3	1	1A7740-27710	STOPPER	1							
4	1	198163-27720	FORK,P.T.O.SHIFT	1							
5	1	198163-27730	ARM,P.T.O. SHIFT	1							
6	1	198435-27740	ARM,P.T.O.	1							
7	1	198163-27760	LINK,P.T.O.SHIFT	1							
8	1	198163-27790	LEVER,P.T.O.LOWER	1							
8-1	1	198163-27791-1	LEVER,P.T.O.LOWER	1							N
(A=*2009.02.)											
9	1	198163-27870	KEY	1							
10	1	22137-180000	WASHER 18	1							
11	1	22272-000150	CIRCLIP E-15	1							
12	1	22351-035025	SPRING PIN 3.5X25	1							
13	1	22351-050020	SPRING PIN 5X20	1							
14	1	22351-060025	SPRING PIN 6X25	1							
15	1	22372-080000	SNAP PIN (JASO 8)	3							
15-1	1	1C6281-52320	PIN 8,COME-OFF SNAP	3							R
(A=*2009.02.)											
16	1	24190-100001	BALL 5/16, STEEL	1							
17	1	24311-000125	O-RING 1A P-12.5	1							
18	1	24550-018100	BUSH 18X10	2							

Fig.49. PTO CHANGE LEVER

(A)=KE-20T-AU-PQ

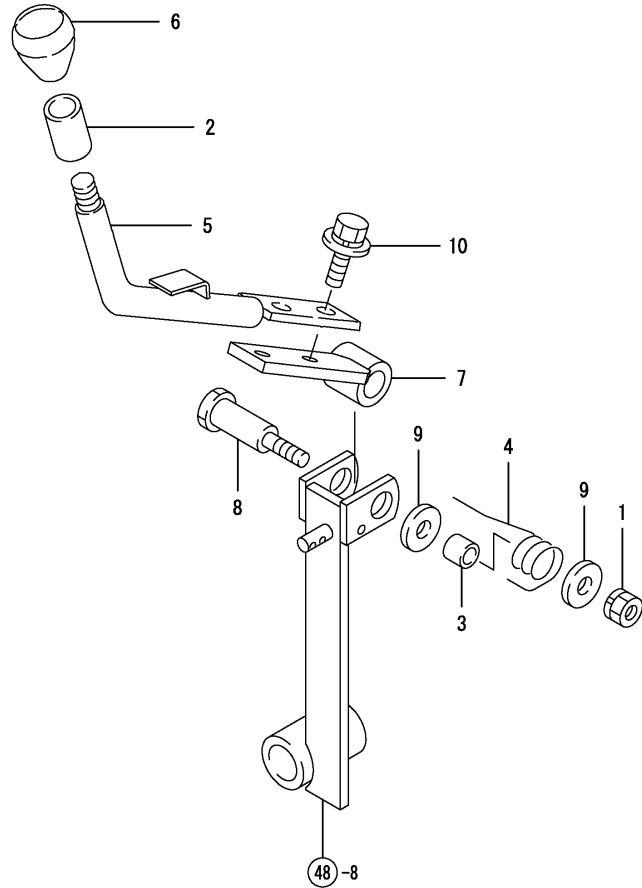
(B)=

(C)=

(D)=

(E)=

(F)=



REF.	LEV.	PARTS NO.	DESCRIPTION	Q'TY						I	R
				(A)	(B)	(C)	(D)	(E)	(F)		
1	1	194990-22050	NUT W/WASHER 8	1							
2	1	198165-27350	LEVER TUBE	1							
3	1	198163-27540	COLLAR	1							
4	1	198163-27560	SPRING	1							
5	1	1A7720-27750	LEVER, PTO UPPER ASY	1							
6	1	1A7720-27810	KNOB	1							
7	1	198163-27840	LEVER, P.T.O.INNER	1							
8	1	198163-27910	PIN	1							
9	1	22157-080000	WASHER 8	2							
10	1	26018-080202	BOLT M 8X 20	2							

Fig.50. RING GEAR

(A)=KE-20T-AU-PQ
(B)=
(C)=

(D)=
(E)=
(F)=

REF.	LEV.	PARTS NO.	DESCRIPTION	Q'TY						I	R
				(A)	(B)	(C)	(D)	(E)	(F)		
1	1	198164-31340	GEAR ASSY,RING	1							

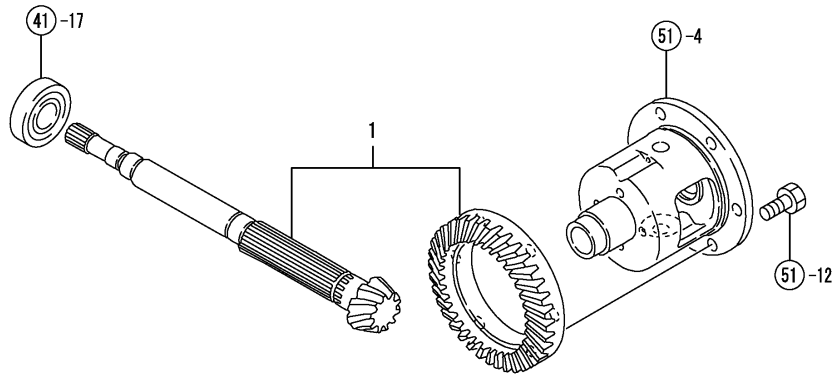


Fig.51. DIFFERENTIAL GEAR

(A)=KE-20T-AU-PQ

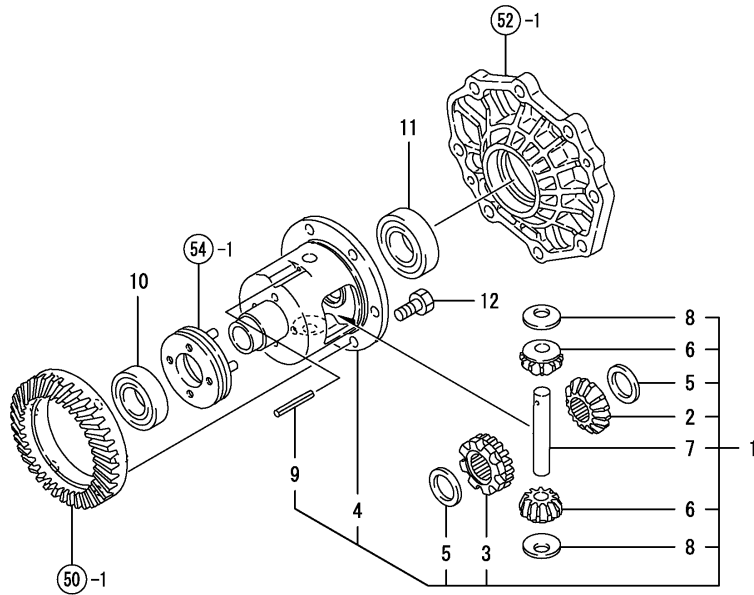
(B)=

(C)=

(D)=

(E)=

(F)=



REF.	LEV.	PARTS NO.	DESCRIPTION	QTY						I	R
				(A)	(B)	(C)	(D)	(E)	(F)		
1	1	1A6780-31500	CASE ASSY,DIFF	1							
2	2	198421-31510	GEAR,DIFF.SIDE	1							
3	2	1A6780-31520	GEAR, DIFF.SIDE(LOCK)	1							
4	2	198421-31530	CASE,DIFFERENTIAL	1							
5	2	198421-31550	LINER,DIFF.SIDE GEAR	2							
6	2	194300-31560	GEAR, DIFFERENTIAL	2							
7	2	194300-31570	SHAFT, DIFFERENTIAL	1							
8	2	194300-31620	WASHER, DIFFERENTIAL	2							
9	2	22351-040040	SPRING PIN 4X40	1							
10	1	24101-060064	BALL BEARING	1							
11	1	24101-060074	BALL BEARING	1							
12	1	26156-100162	BOLT M10X16	6							

Fig.52. DIFF.CARRIER

(A)=KE-20T-AU-PQ
(B)=
(C)=

(D)=
(E)=
(F)=

REF.	LEV.	PARTS NO.	DESCRIPTION	Q'TY						I	R
				(A)	(B)	(C)	(D)	(E)	(F)		
1	1	198165-32311-1	CARRIER,DIFFERENTIAL	1							
2	1	198421-32320	SHIM 0.1,DIF.CARRIER	2							
3	1	198421-32330	SHIM 0.3,DIF.CARRIER	1							
4	1	198421-32340	SHIM 0.5,DIF.CARRIER	1							

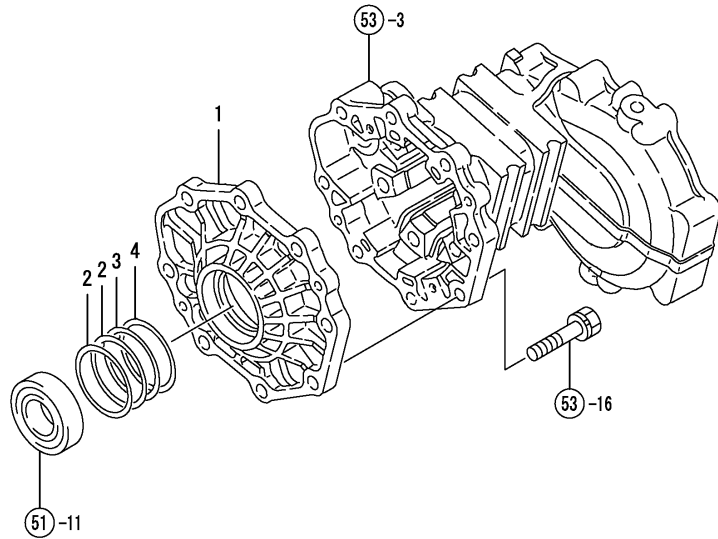


Fig.53. REAR HOUSING

(A)=KE-20T-AU-PQ

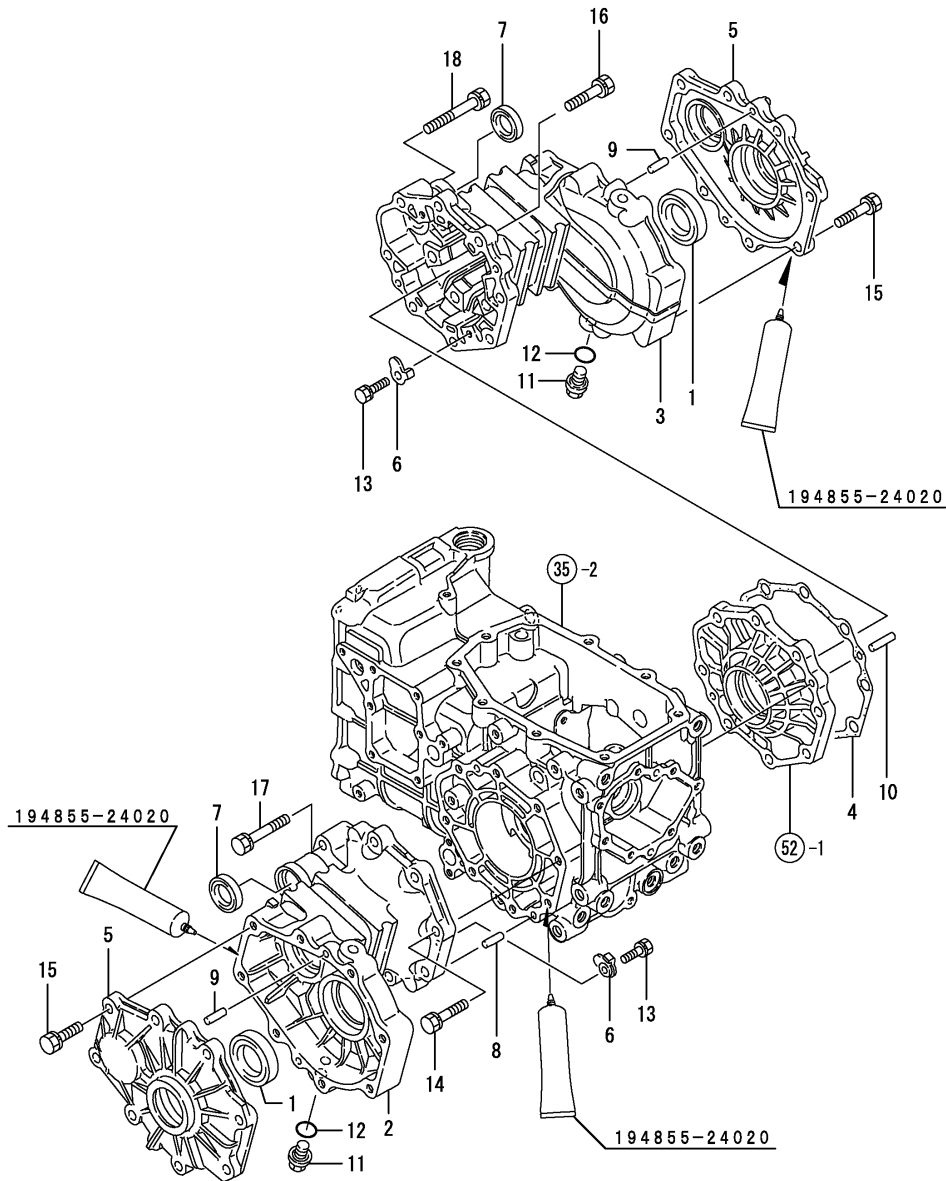
(B)=

(C)=

(D)=

(E)=

(F)=



REF.	LEV.	PARTS NO.	DESCRIPTION	QTY						I	R
				(A)	(B)	(C)	(D)	(E)	(F)		
1	1	194447-13650	SEAL TC6Y445711.5	2							
2	1	198165-32610-2	HOUSING L,REAR AXLE	1							
3	1	198165-32620-2	HOUSING R,REAR AXLE	1							
4	1	198421-32630	PACKING,HOUSING	1							
5	1	198425-32640	COVER,REAR AXLE	2							
6	1	198421-32660-1	STOPPER,STEEL PLATE	4							
7	1	198290-32750	SEAL TC253506,OIL	2							
8	1	22312-080180	PARALLEL PIN, M8X16	2							
9	1	22312-080200	PARALLEL PIN, M8X20	4							
10	1	22312-080320	PARALLEL PIN, M8X32	2							
11	1	23491-140002	PLUG 14	2							
12	1	24311-000160	O-RING 1A P-16.0	2							
13	1	26013-080202	BOLT W/WASHER M8X20	4							
14	1	26013-100402	BOLT M10X 40	6							
15	1	26013-100402	BOLT M10X 40	16							
16	1	26013-100502	BOLT M10X 50	6							
17	1	26013-100552	BOLT M10X 55	2							
18	1	26013-100652	BOLT 10X65 W/SP.WSHR	2							

Fig.54. DIFFERENTIAL LOCK

OCNP5-G06900 54. DIFFERENTIAL LOCK

(A)=KE-20T-AU-PQ

(B)=

(C)=

(D)=

(E)=

(F)=

Q'TY

REF.	LEV.	PARTS NO.	DESCRIPTION	Q'TY						I	R
				(A)	(B)	(C)	(D)	(E)	(F)		
1	1	198421-33110	SLIDER,DIFF.LOCK	1							
2	1	198421-33120	FORK,DIFF.LOCK SHIFT	1							
3	1	198162-33130	PEDAL, DIFF. LOCK	1							
4	1	198421-33140	SPRING,DIFF.LOCK	1							
5	1	198421-33170	SPACER 20X25X3.2	1							
6	1	22351-050040	SPRING PIN 5X40	1							
7	1	22351-080032	SPRING PIN 8X32	1							
8	1	22351-080040	SPRING PIN 8X40	1							
9	1	24311-000110	O-RING 1A P-11.0	1							
10	1	24311-000160	O-RING 1A P-16.0	1							
11	1	198421-33150	PIPE,VINYL	1							
12	1	1A6750-61830	RUBBER	1							

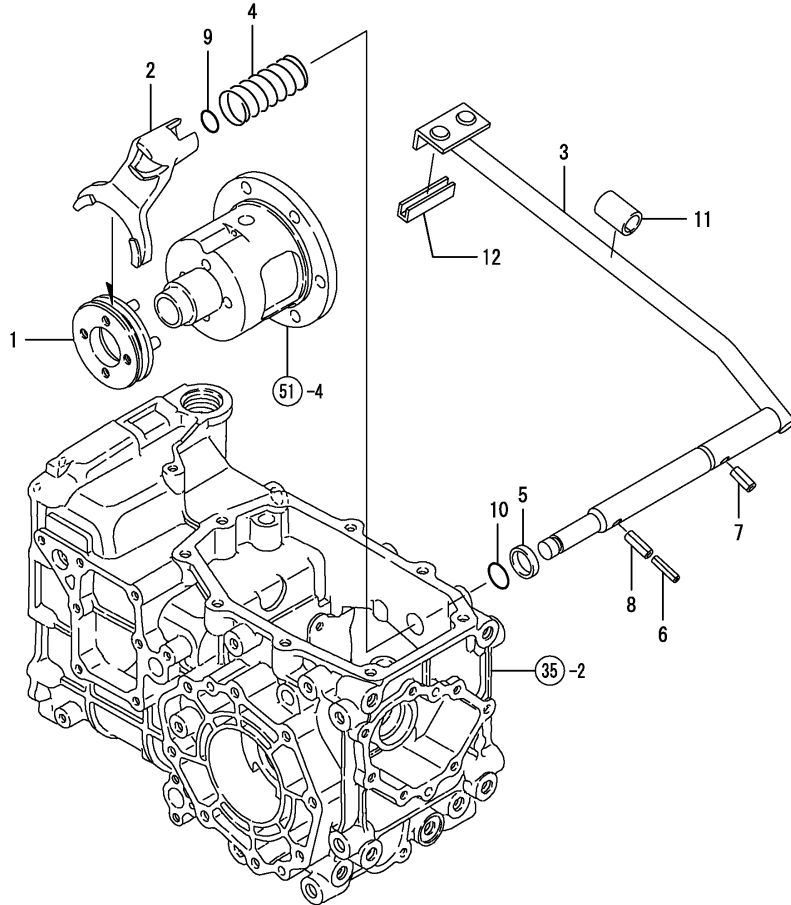


Fig.55. FINAL PINION

0CNP5-G06900 55. FINAL PINION

(A)=KE-20T-AU-PQ
(B)=
(C)=

(D)=
(E)=
(F)=

REF.	LEV.	PARTS NO.	DESCRIPTION	Q'TY						I	R
				(A)	(B)	(C)	(D)	(E)	(F)		
1	1	198164-33410	PINION,FINAL	1							
2	1	198164-33420	PINION, FINAL	1							
3	1	24101-060060	BALL BEARING	2							
4	1	24101-062040	BALL BEARING	2							

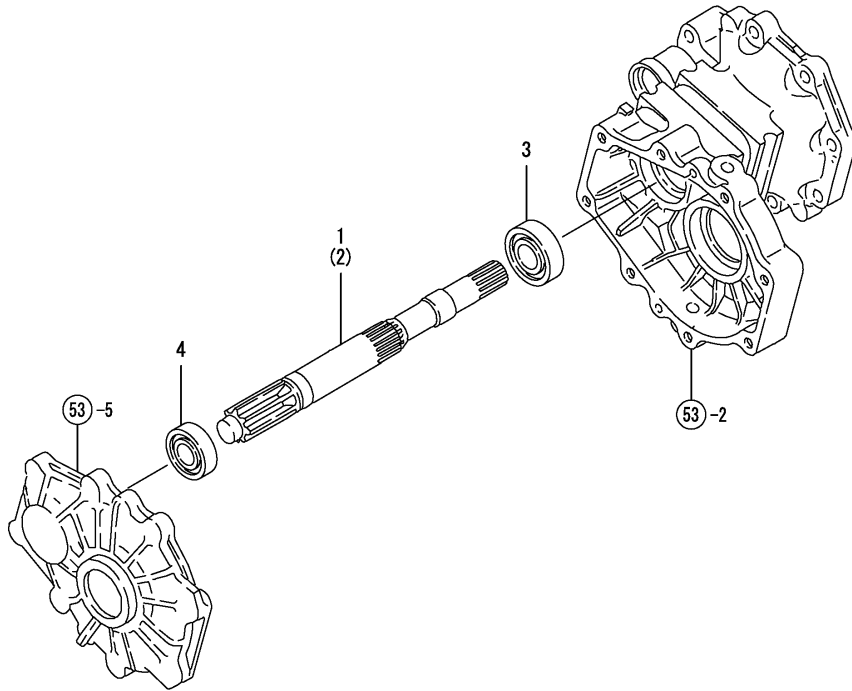


Fig.57. REAR AXLE SHAFT

0CNP5-G06900 57. REAR AXLE SHAFT

(A)=KE-20T-AU-PQ

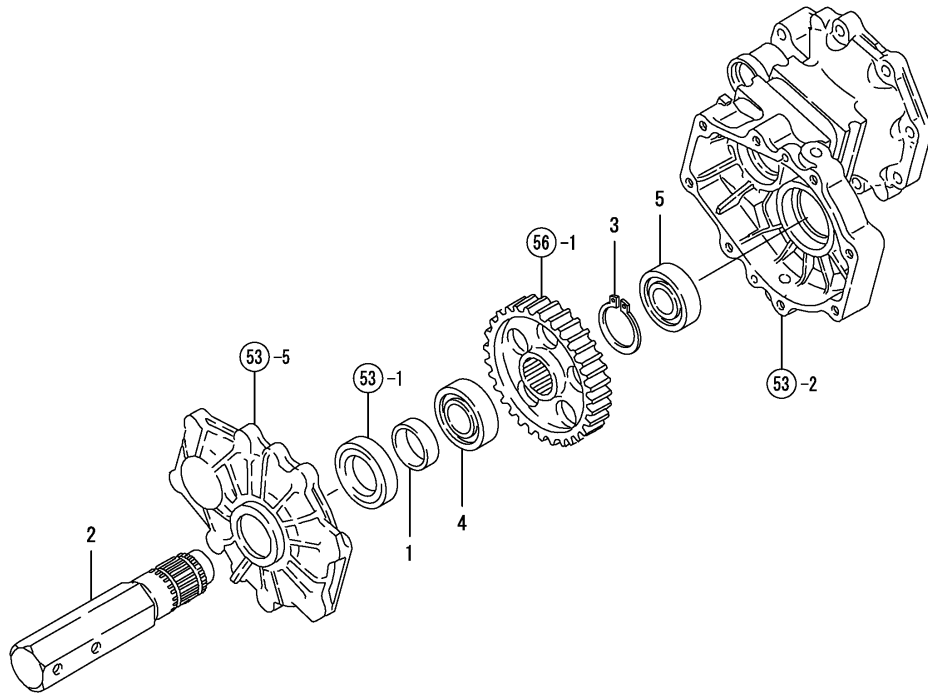
(B)=

(C)=

(D)=

(E)=

(F)=



REF.	LEV.	PARTS NO.	DESCRIPTION	QTY						I	R
				(A)	(B)	(C)	(D)	(E)	(F)		
1	1	194447-13640	SLEEVE SI404415	2							
2	1	198421-34110	SHAFT,REAR AXLE	2							
3	1	22242-000400	CIRCLIP 40	2							
4	1	24101-060080	BALL BEARING	2							
5	1	24101-062060	BALL BEARING	2							

Fig.58. REAR WHEEL TIRE

0CNP5-G06900 58. REAR WHEEL TIRE

(A)=KE-20T-AU-PQ
 (B)=
 (C)=

(D)=
 (E)=
 (F)=

REF.	LEV.	PARTS NO.	DESCRIPTION	Q'TY						I	R
				(A)	(B)	(C)	(D)	(E)	(F)		
1	1	198164-34700	TIRE T13H L KIT	1							
2	2	198164-34710	TIRE T13H CMP	1							
3	2	198531-34730	WHEEL W6-18	1							
4	1	198164-34750	TIRE T13H R KIT	1							
5	2	198164-34710	TIRE T13H CMP	1							
6	2	198531-34730	WHEEL W6-18	1							

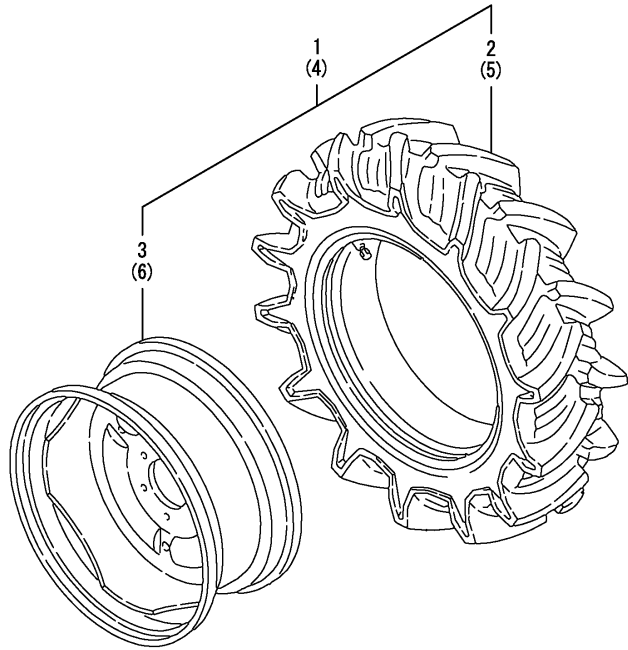


Fig.59. REAR WHEEL TIRE(TURF)

(A)=KE-20T-AU-PQ
(B)=
(C)=

(D)=
(E)=
(F)=

REF.	LEV.	PARTS NO.	DESCRIPTION	QTY						I	R
				(A)	(B)	(C)	(D)	(E)	(F)		
1	1	198435-34860	TIRE ASSY, TURF R L	1							
2	2	194305-34810	TIRE 29 X 12-15	1							
3	2	198435-34880	WHEEL 10LBX15	1							
4	1	198435-34870	TIRE ASSY, TURF R R	1							
5	2	194305-34810	TIRE 29 X 12-15	1							
6	2	198435-34880	WHEEL 10LBX15	1							

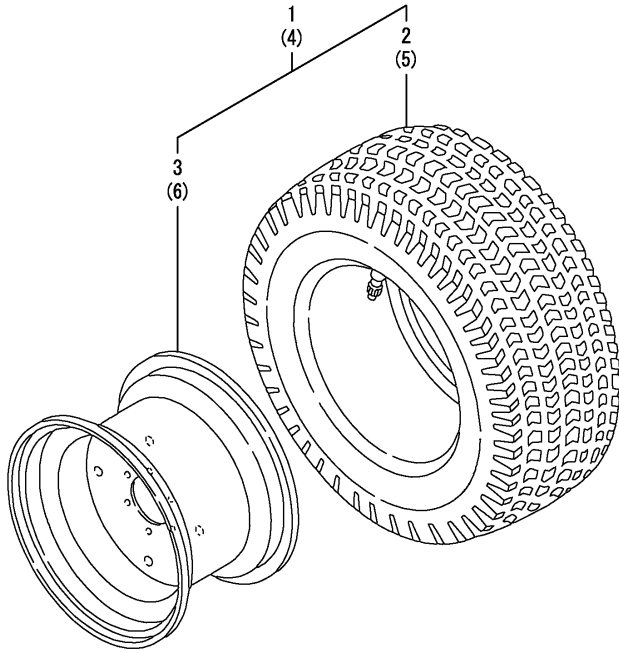


Fig.60. HUB BOLT

(A)=KE-20T-AU-PQ
(B)=
(C)=

(D)=
(E)=
(F)=

REF.	LEV.	PARTS NO.	DESCRIPTION	Q'TY						I	R
				(A)	(B)	(C)	(D)	(E)	(F)		
1	1	198425-34730	HUB, WHEEL	2							
2	1	194200-34750	PIN 10X78	2							
3	1	1A1040-36010	BOLT, FLANGE	4							
4	1	1A1040-36040	SPRING, FLANGE BOLT	4							
5	1	22137-160000	WASHER 16,POLISHED	4							
6	1	22217-120000	SPRING WASHER 12	12							
7	1	22372-100000	SNAP PIN 10	2							
8	1	26156-120252	BOLT M12X 25 PLATED	12							

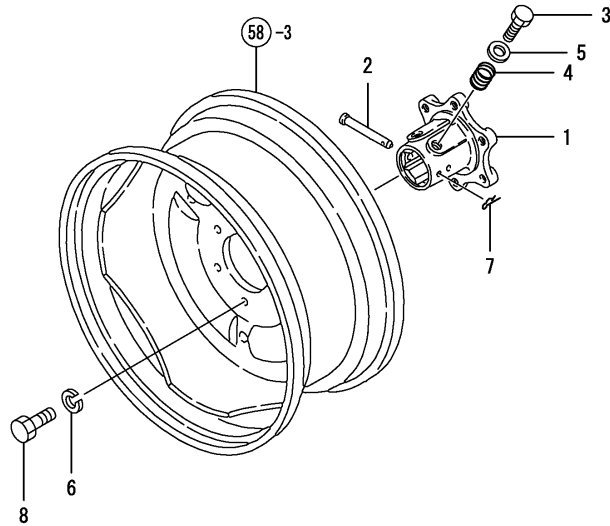


Fig.61. DISC BRAKE

(A)=KE-20T-AU-PQ

(B)=

(C)=

(D)=

(E)=

(F)=

REF.	LEV.	PARTS NO.	DESCRIPTION	QTY						I	R
				(A)	(B)	(C)	(D)	(E)	(F)		
1	1	198162-36080	DISK BRAKE KIT, KE30	1							
2	2	198421-36310	ACTUATOR L	1							
3	2	198421-36321	PLATE 2.6P	4							
4	2	198421-36330-1	SHAFT L,CAM LEVER	1							
5	2	198162-36380	PLATE 116P FRICTION	4							
6	2	198421-36410	ACTUATOR (R)	1							
7	2	198421-36430-1	SHAFT R,CAM LEVER	1							
8	1	22242-000250	CIRCLIP 25S	2							
9	1	24190-160001	BALL 1/2	12							

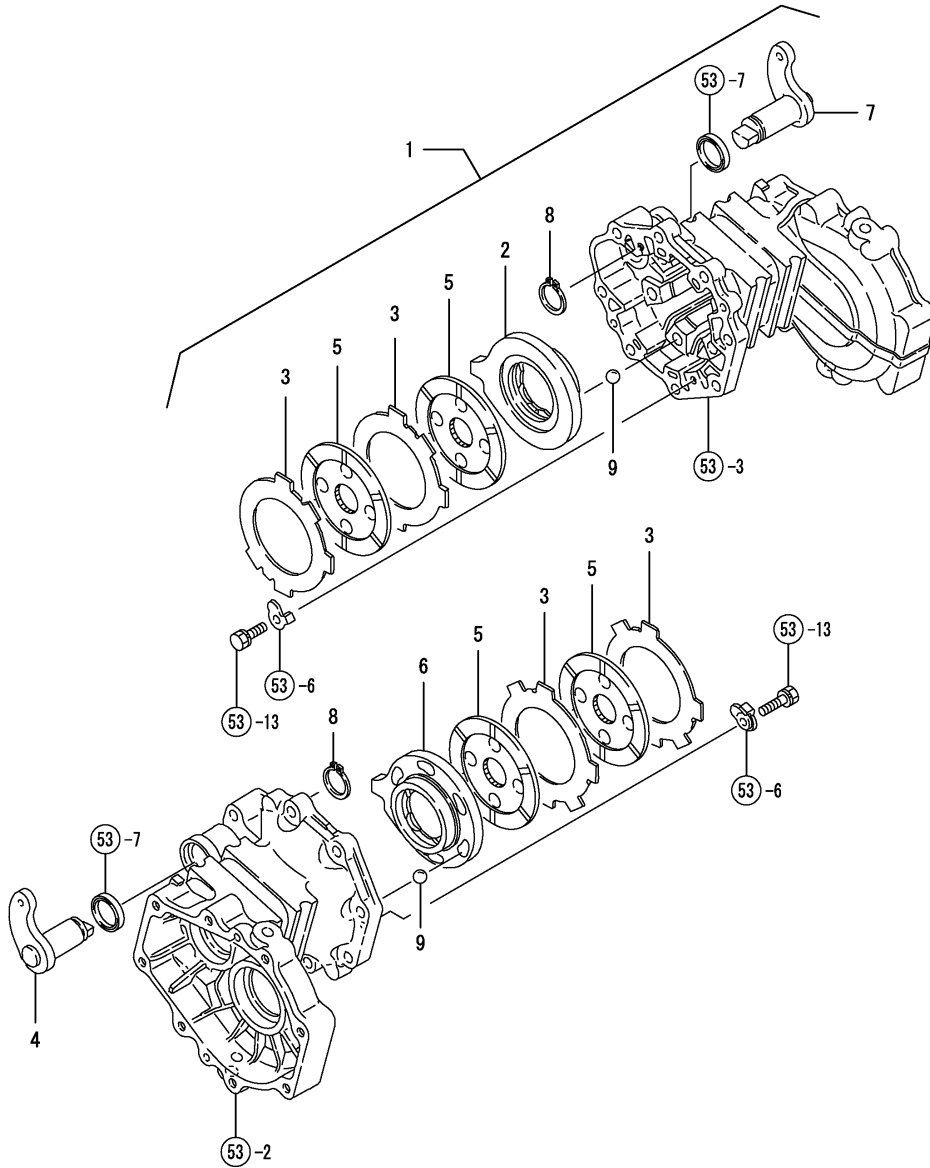
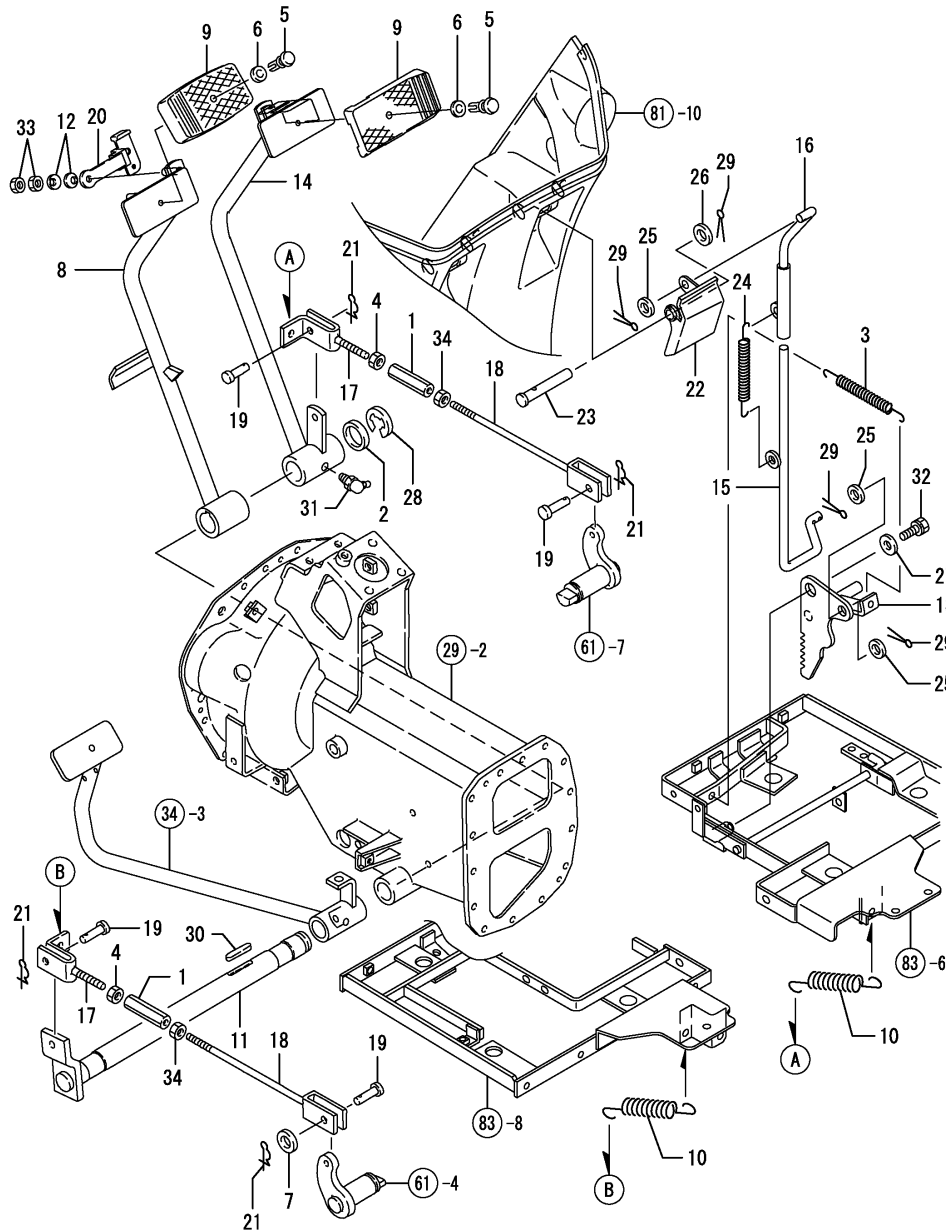


Fig.62. BRAKE PEDAL



(A)=KE-20T-AU-PQ

(B)=

(C)=

(D)=

(E)=

(F)=

REF.	LEV.	PARTS NO.	DESCRIPTION	Q'TY						I	R
				(A)	(B)	(C)	(D)	(E)	(F)		
1	1	194740-00322	TURNBUCKLE	2							
2	1	1C6140-14050	SPACER 25.2X34X2	1							
3	1	1C6320-16440	SPRING 11X55.5	1							
4	1	194990-20170	NUT W/WASHER 8	2							
5	1	198133-22510	RIVET,PEDAL HEAD	2							
6	1	198133-22530	WASHER,RIVET	2							
7	1	1C6053-32020	WASHER 8.5X20X3.2	1							
8	1	198162-37302	PEDAL ASSY, BRAKE L	1							
9	1	198071-37510	COVER,PEDAL HEAD	2							
10	1	198421-37511	SPRING,RETURN	2							
11	1	198421-37550	SHAFT,BRAKE PEDAL	1							
12	1	194300-37570	SPRING, CONICAL	2							
13	1	198162-37641	LEVER, BRAKE LOCK	1							
14	1	198164-37651	PEDAL ASSY,BRAKE R	1							
15	1	198162-37670	ROD,PARKING BRAKE	1							
16	1	198162-37681	ROD B,PARKING BRAKE	1							
17	1	198421-37750	SCREW,BRAKE ROD L	2							
18	1	198425-37760	SCREW,BRAKE ROD R	2							
19	1	194080-37781	PIN 8X25	4							
20	1	1C6950-45410	CONNECTOR,FLEX.BRAKE	1							
21	1	1C6281-52320	PIN 8,COME-OFF SNAP	4							
22	1	198162-61661	LEVER,P.BRAKE	1							
23	1	198162-61670	PIN	1							
24	1	1C6360-82210	SPRING,MARKER LOCK	1							
25	1	22117-100000	WASHER 10	3							
26	1	22137-120000	WASHER 12,POLISHED	1							
27	1	22157-080000	WASHER 8	1							
28	1	22272-000190	CIRCLIP E-19	1							
29	1	22417-200320	COTTER PIN 2.0X32	4							
30	1	22512-070400	KEY, 7X40	1							
31	1	24761-040000	NIPPLE B,GREASE	1							
32	1	26013-080202	BOLT W/WASHER M8X20	1							
33	1	26716-080002	NUT M 8	2							
34	1	26716-080002	NUT M 8	2							

Fig.63. HYD.CYLINDER CASE

(A)=KE-20T-AU-PQ

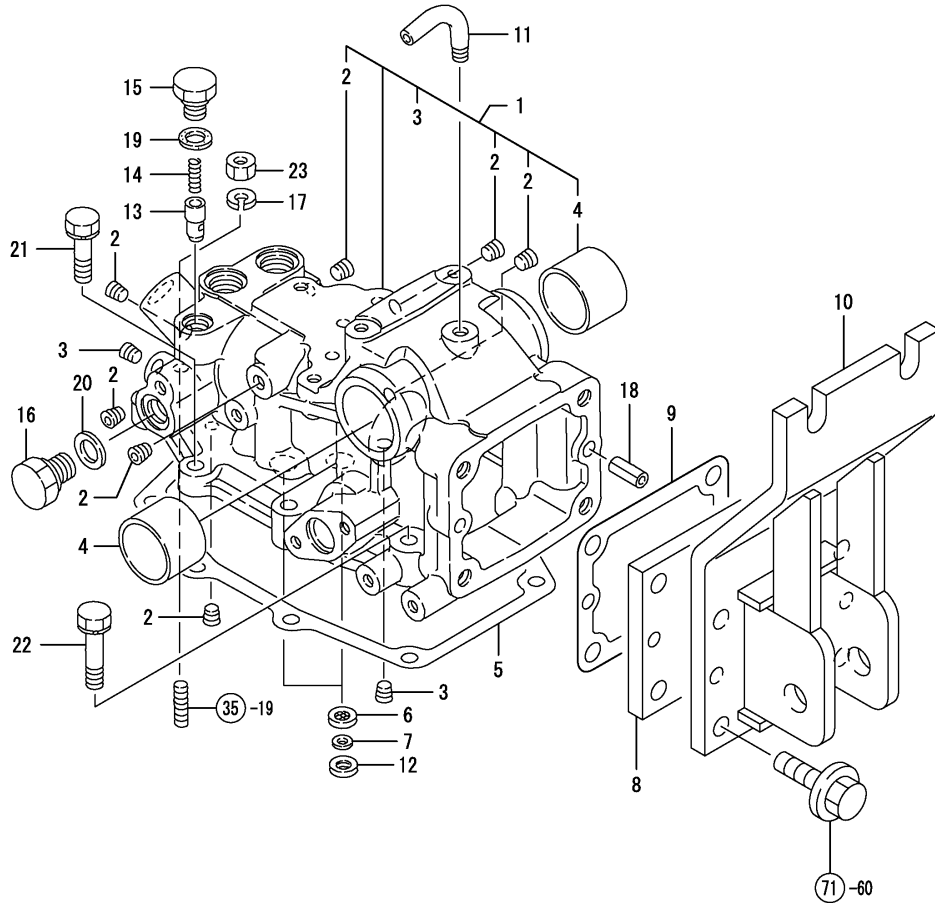
(B)=

(C)=

(D)=

(E)=

(F)=



REF.	LEV.	PARTS NO.	DESCRIPTION	Q'TY						I	R
				(A)	(B)	(C)	(D)	(E)	(F)		
1	1	198421-42102-1	CASE, HYDRAULIC CYL.	1							
2	2	23871-010000	PLUG PT1/8, SCREW	7							
3	2	23871-020000	PLUG PT1/4, SCREW	2							
4	2	24550-040300	BUSH 40X30	2							
5	1	198165-42120	PACKING, CYLINDER	1							
6	1	194850-42180	STRAINER	2							
7	1	194850-42190	SPACER	2							
8	1	198163-42810-1	PLATE, KEEP CMP	1							
9	1	194151-42832	GASKET, (NON-ASB.)	1							
10	1	198163-42850-1	HINGE, TOP LINK CMP	1							
11	1	194205-42280	PIPE, AIR BREATHER	1							
12	1	194630-43230	PACKING	2							
13	1	194310-46350	POPPET, CHECK	1							
14	1	194310-46380	SPRING	1							
15	1	194310-46730	PLUG 14	1							
16	1	194312-46750	PLUG PF3/8	1							
17	1	22217-100000	SPRING WASHER 10	1							
18	1	22351-100025	SPRING PIN 10X25	2							
19	1	23414-140018	GASKET 14	1							
20	1	23414-170022	GASKET 17	1							
21	1	26016-100352	BOLT M10X 35	4							
22	1	26016-100452	BOLT M10X 45	4							
23	1	26716-100002	NUT 10	1							

Fig.64. SIDE COVER

0CNP5-G06900 64. SIDE COVER

(A)=KE-20T-AU-PQ
(B)=
(C)=

(D)=
(E)=
(F)=

REF.	LEV.	PARTS NO.	DESCRIPTION	Q'TY						I	R
				(A)	(B)	(C)	(D)	(E)	(F)		
1	1	198425-42220-1	COVER, HYD. CASE TOP	1							
2	1	23871-010000	PLUG PT1/8, SCREW	1							
3	1	24315-000110	O-RING 1B P-11.0	3							
4	1	26013-080252	BOLT M 8X 25	3							

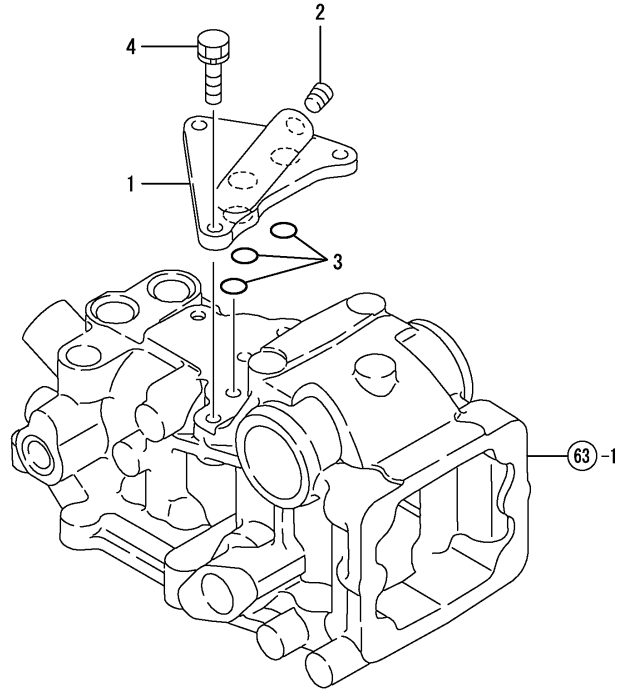


Fig.65. PISTON

0CNP5-G06900 65. PISTON

(A)=KE-20T-AU-PQ
(B)=
(C)=

(D)=
(E)=
(F)=

REF.	LEV.	PARTS NO.	DESCRIPTION	Q'TY						I	R
				(A)	(B)	(C)	(D)	(E)	(F)		
1	1	198163-43310	PISTON W/RINGS	1							
2	1	24315-000460	PACKING	1							
3	1	24372-000460	BACK UP RING T2 P	1							

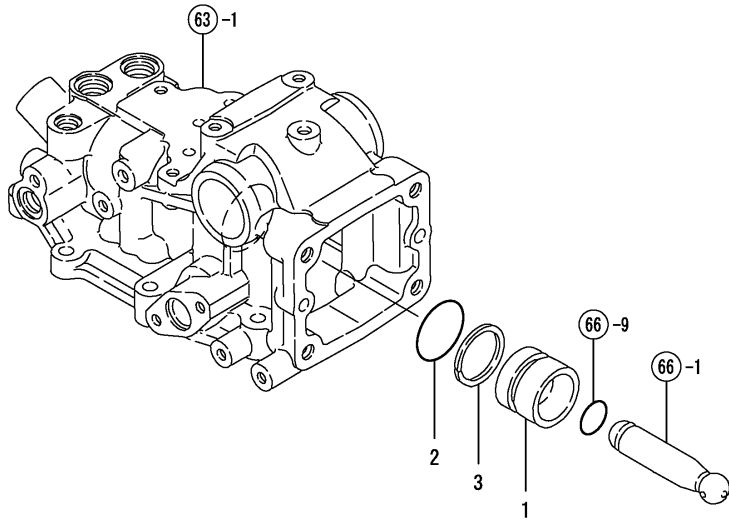


Fig.67. CONTROL VALVE

0CNP5-G06900 67. CONTROL VALVE

(A)=KE-20T-AU-PQ
(B)=
(C)=

(D)=
(E)=
(F)=

REF.	LEV.	PARTS NO.	DESCRIPTION	Q'TY						I	R	
				(A)	(B)	(C)	(D)	(E)	(F)			
1	1	198435-45201	VALVE ASSY, CONTROL	1								
2	1	26450-080252	BOLT M 8X 25	3								

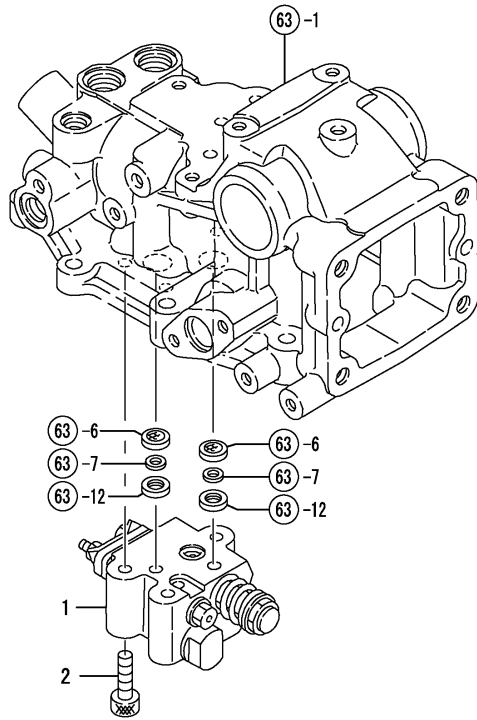


Fig.68. RELIEF VALVE

(A)=KE-20T-AU-PQ

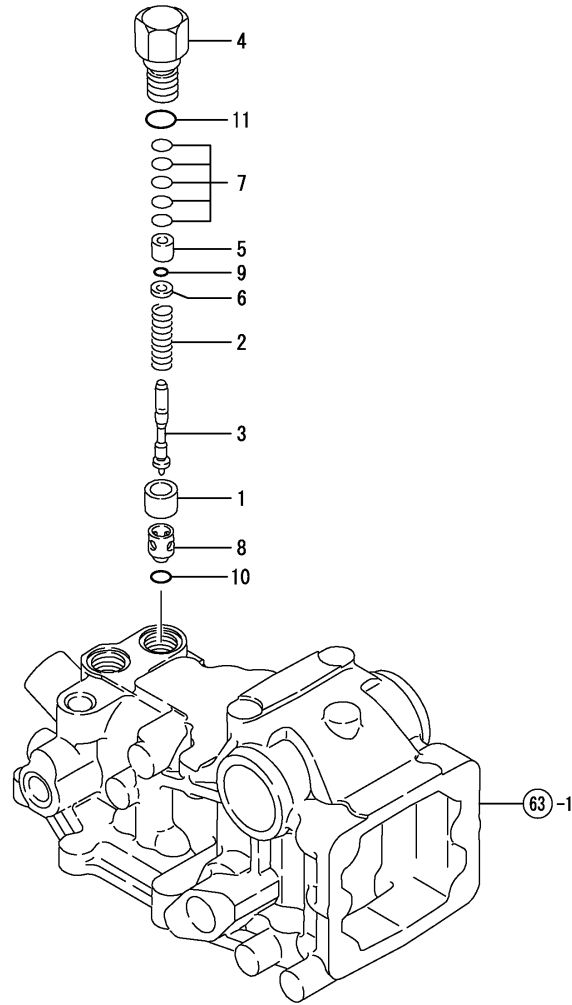
(B)=

(C)=

(D)=

(E)=

(F)=



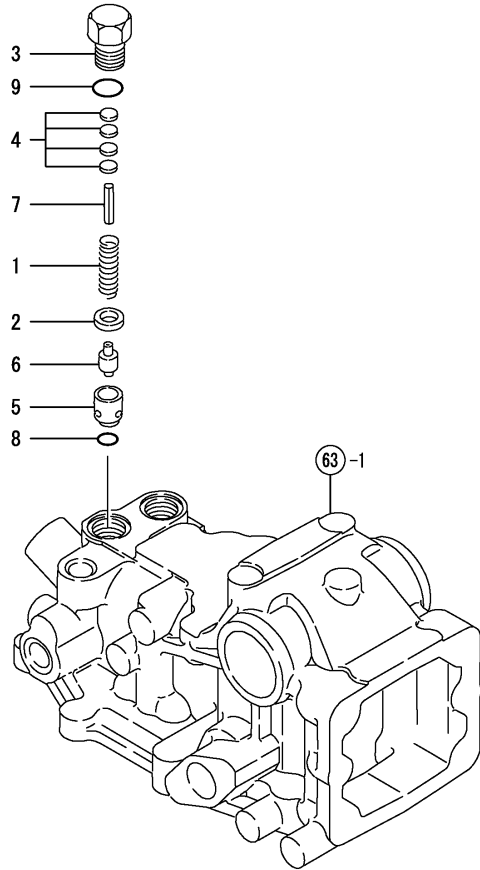
REF.	LEV.	PARTS NO.	DESCRIPTION	Q'TY						I	R
				(A)	(B)	(C)	(D)	(E)	(F)		
1	1	198220-45340	COLLAR, VALVE SEAT	1							
2	1	198163-45610	SPRING,RELIEF VALVE	1							
3	1	194195-45620	POPPET	1							
4	1	198220-45630	PLUG, RELIEF VALVE	1							
5	1	194195-45640	SEAT, SPRING	1							
6	1	194195-45650	WASHER	1							
7	1	194850-45700	SHIM PACK	1							
8	1	194195-46260	SEAT, RELIEF VALVE	1							
9	1	194850-49230	O-RING 6X1.8	1							
10	1	24311-000120	O-RING 1A P-12.0	1							
11	1	24311-000180	O-RING 1A P-18.0	1							

Fig.70. SAFETY VALVE

0CNP5-G06900 70. SAFETY VALVE

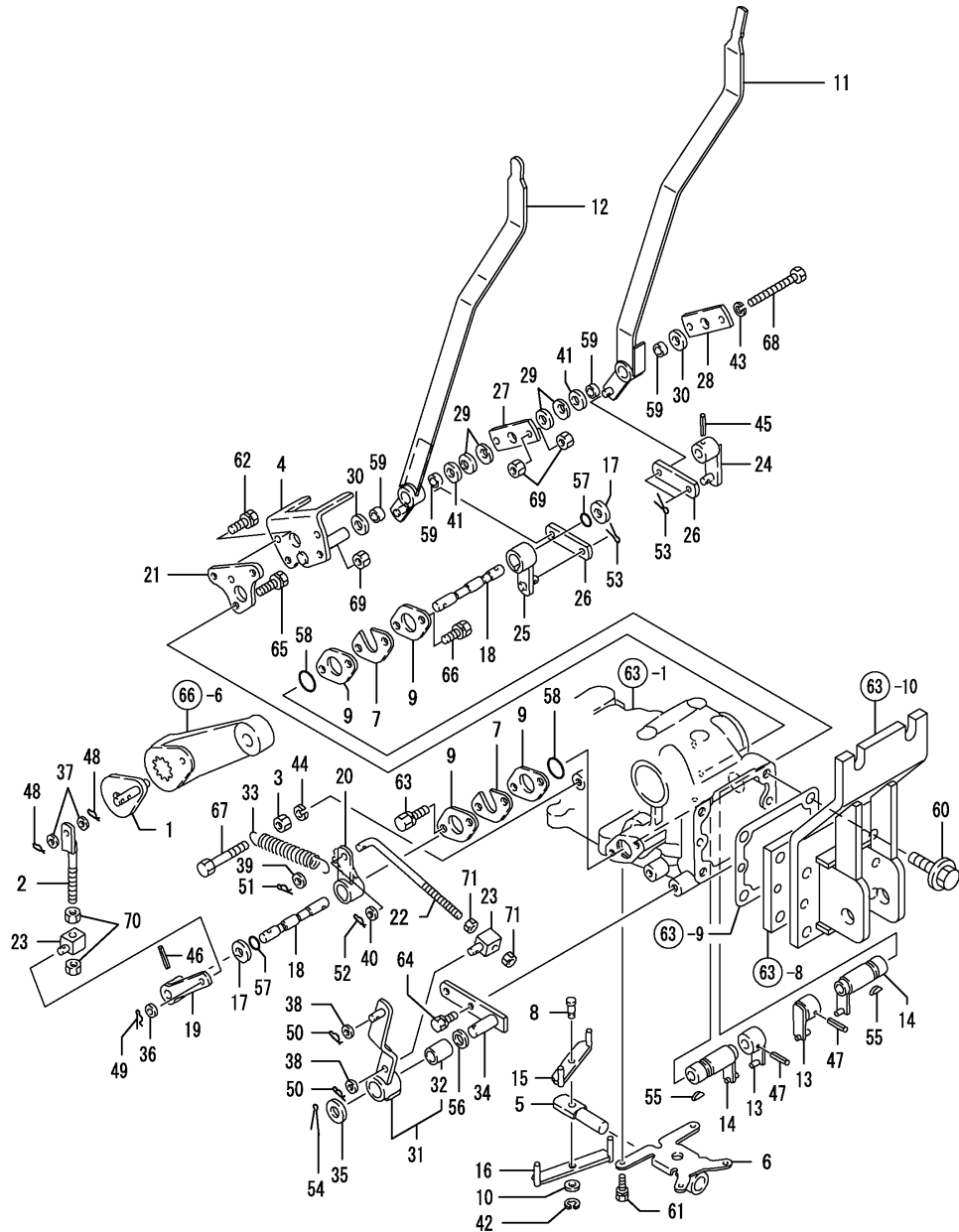
(A)=KE-20T-AU-PQ
(B)=
(C)=

(D)=
(E)=
(F)=



REF.	LEV.	PARTS NO.	DESCRIPTION	Q'TY						I	R
				(A)	(B)	(C)	(D)	(E)	(F)		
1	1	194150-45320	SPRING, RELIEF VALVE	1							
2	1	198220-45350	COLLAR	1							
3	1	198220-45370-1	PLUG, SAFETY VALVE	1							
4	1	198220-46400	SHIM PACK	1							
5	1	194640-46410	SEAT, SAFETY VALVE	1							
6	1	194640-46420	POPPET, SAFETY VALVE	1							
7	1	22351-060028	SPRING PIN 6X28	1							
8	1	24311-000120	O-RING 1A P-12.0	1							
9	1	24311-000180	O-RING 1A P-18.0	1							

Fig.71. HYDRAULIC CONTROL



(A)=KE-20T-AU-PQ

(B)=

(C)=

(D)=

(E)=

(F)=

REF.	LEV.	PARTS NO.	DESCRIPTION	Q'TY						I	R
				(A)	(B)	(C)	(D)	(E)	(F)		
1	1	198431-44510-1	ARM,FEEDBACK	1							
2	1	194208-47510	ROD, FEED BACK	1							
3	1	26716-080002	NUT M 8	1							
4	1	198435-47310	STOPPER, CONTROL	1							
5	1	198431-47320	ROD,CONTROL	1							
6	1	198431-47330	PLATE	1							
7	1	194555-47340	PLATE (A)	2							
8	1	198431-47340	PIN,CONTROL	1							
9	1	194555-47350	PLATE	4							
10	1	198431-47350	WASHER	1							
11	1	198163-47360	LEVER,PRESS.CONTROL	1							
12	1	198163-47370	LEVER,DIFF.CONTROL	1							
13	1	198431-47390	ARM,POSITION SET	2							
14	1	198431-47400	ARM,DRAFT SET	2							
15	1	198431-47420	BAR,POSITION CONTROL	1							
16	1	198431-47430	BAR,DRAFT CONTROL	1							
17	1	194180-47440	GASKET	2							
18	1	194208-47450	SHAFT, FEED BACK	2							
19	1	198431-47470-1	ARM,POS.FEEDBACK	1							
20	1	198431-47480-1	ARM,DRAFT FEEDBACK	1							
21	1	198435-47490	BASE,STOPF R	1							
22	1	198431-47520-1	ROD,DRAFT FEEDBACK	1							
23	1	194208-47530	ADJUSTER	2							
24	1	198435-47530	ARM, CONTROL	1							
25	1	198435-47540	ARM, CONTROL	1							
26	1	198435-47550	LINK, CONTROL	2							
27	1	198435-47560	PLATE	1							
28	1	198435-47580	PLATE B	1							
29	1	194151-47760	WASHER 12	4							
30	1	194310-47790	PLATE, FRICTION	2							
31	1	198163-47800	ARM-FEEDBACK-ASSY	1							
32	2	194310-21210	BUSH 15X20X25	1							
33	1	194215-47840	SPRING, RETURN	1							
34	1	198431-47870	PLATE,FEEDBACK	1							
35	1	194550-47910	SPACER 15X28X2	1							
36	1	22137-080000	WASHER 8, POLISHED	1							
37	1	22137-080000	WASHER 8, POLISHED	2							
38	1	22137-080000	WASHER 8, POLISHED	2							
39	1	22137-080000	WASHER 8, POLISHED	1							
40	1	22137-080000	WASHER 8, POLISHED	1							
41	1	22137-120000	WASHER 12,POLISHED	2							
42	1	22272-000060	CIRCLIP E- 6	1							
43	1	22287-080000	LOCKING WASHER	2							
44	1	22287-080000	LOCKING WASHER	1							
45	1	22351-050025	SPRING PIN 5X25	1							
46	1	22351-050025	SPRING PIN 5X25	1							
47	1	22351-050025	SPRING PIN 5X25	2							
48	1	22372-080000	SNAP PIN (JASO 8)	2							
49	1	22372-080000	SNAP PIN (JASO 8)	1							
50	1	22372-080000	SNAP PIN (JASO 8)	2							
51	1	22372-080000	SNAP PIN (JASO 8)	1							

Fig.71. HYDRAULIC CONTROL

(A)=KE-20T-AU-PQ

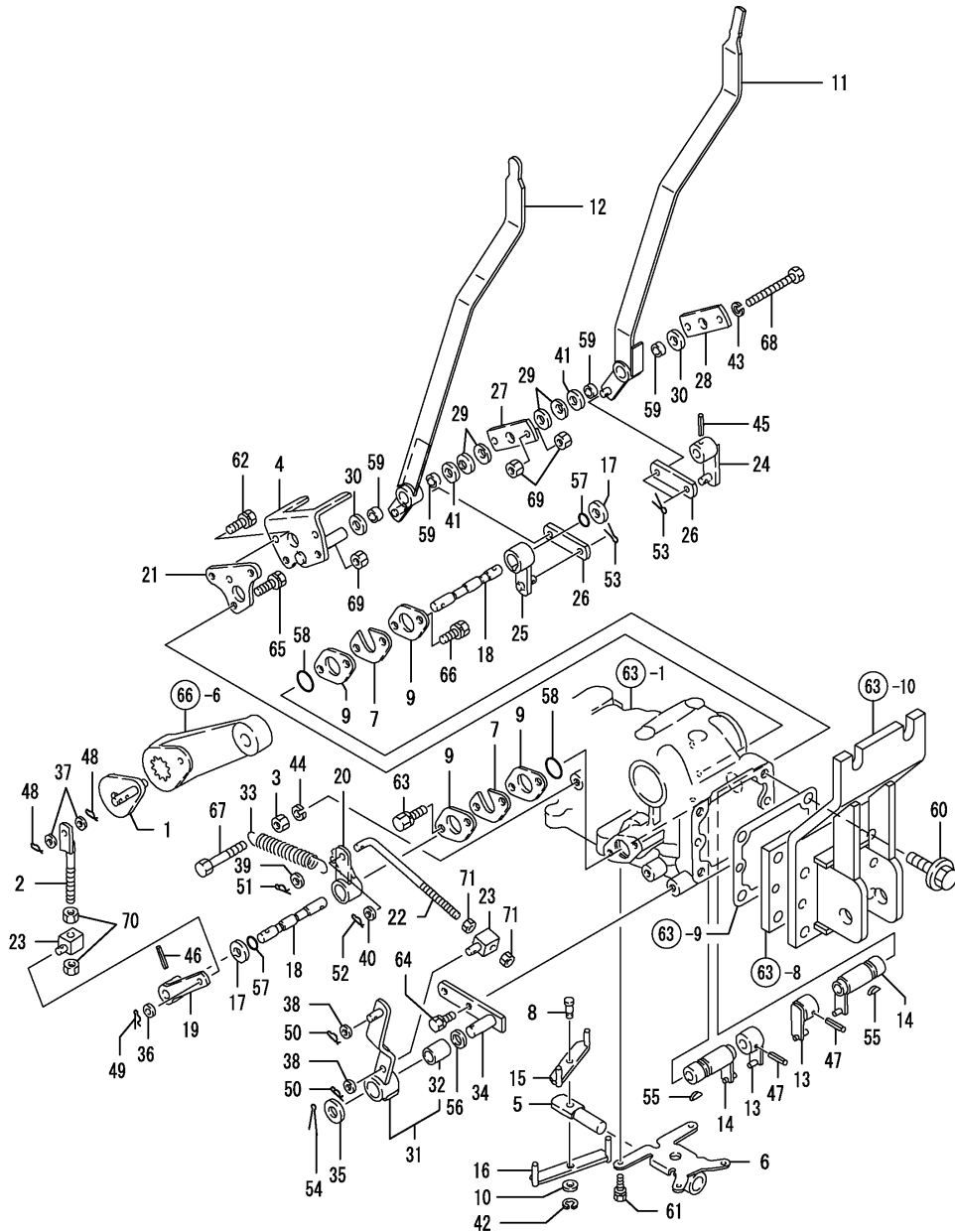
(B)=

(C)=

(D)=

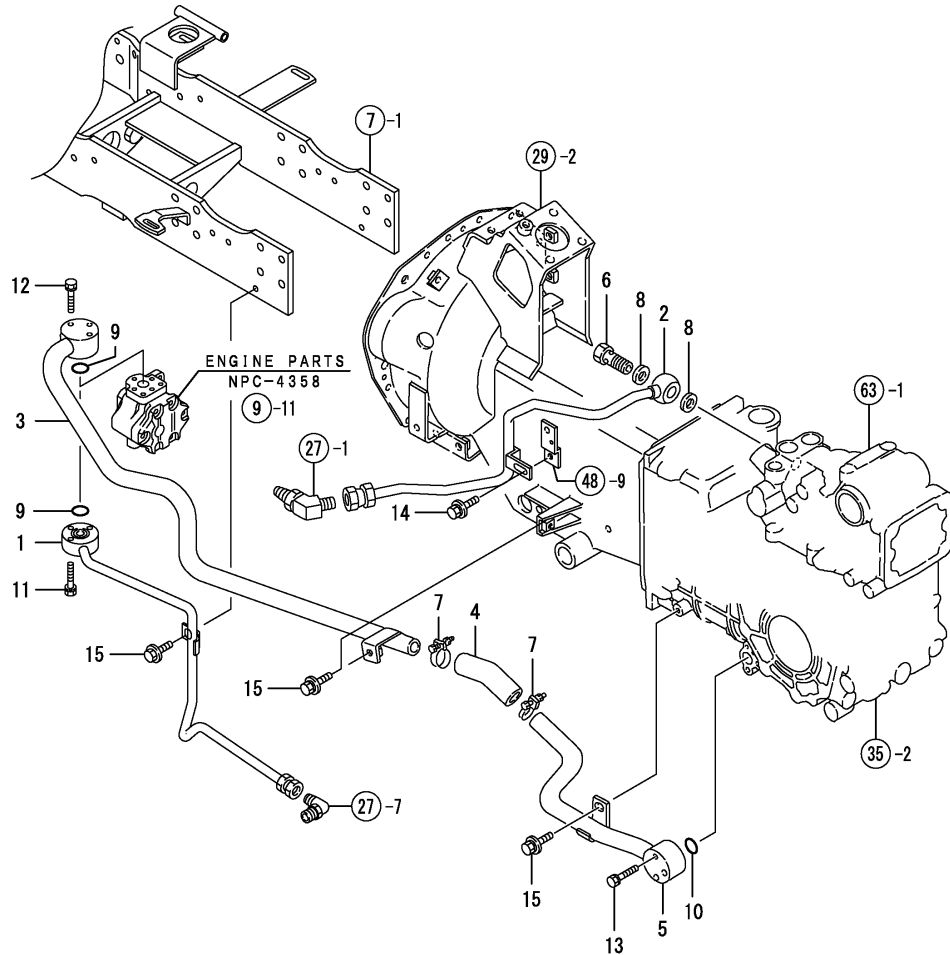
(E)=

(F)=



REF.	LEV.	PARTS NO.	DESCRIPTION	Q'TY						I	R
				(A)	(B)	(C)	(D)	(E)	(F)		
52	1	22372-080000	SNAP PIN (JASO 8)	1							
53	1	22417-200160	COTTER PIN 2.0X16	4							
54	1	22417-250320	COTTER PIN 2.5X 32	1							
55	1	22522-030130	KEY, WOODRUFF 3X13	2							
56	1	23414-150000	PACKING -15	1							
57	1	24311-000090	O-RING 1A P-9.0	2							
58	1	24311-000200	O-RING 1A P-20.0	2							
59	1	24550-012060	BUSH 12X 6	4							
60	1	198165-85960	BOLT M12X 45 PLATED	4							
61	1	26016-060162	BOLT M 6X 16	4							
62	1	26016-080122	BOLT M 8X 12	2							
63	1	26016-080202	BOLT M 8X 20	2							
64	1	26016-080202	BOLT M 8X 20	2							
65	1	26016-080202	BOLT M 8X 20	2							
66	1	26016-080202	BOLT M 8X 20	2							
67	1	26116-080552	BOLT 8X55	1							
68	1	26116-080804	BOLT M 8X 80 PLATED	2							
69	1	26716-080002	NUT M 8	6							
70	1	26716-080002	NUT M 8	2							
71	1	26716-080002	NUT M 8	2							

Fig.73. HYDRAULIC LINE



(A)=KE-20T-AU-PQ
(B)=
(C)=

(D)=
(E)=
(F)=

REF.	LEV.	PARTS NO.	DESCRIPTION	QTY						I	R
				(A)	(B)	(C)	(D)	(E)	(F)		
1	1	1A7730-48161	PIPE, HIGH PRESS. F	1							
2	1	198163-48170	PIPE R,HIGH-PRESSURE	1							
3	1	198431-48220	PIPE F,LOW-PRESSURE	1							
4	1	198421-48240	HOSE,LOW-PRES.RUBBER	1							
5	1	198163-48280	PIPE, LOW PRESSURE R	1							
6	1	198220-48750	CONNECTOR ASSY	1							
7	1	23010-030000	CLAMP 30	2							
8	1	23414-180023	GASKET 18	2							
9	1	24311-000200	O-RING 1A P-20.0	2							
10	1	24311-000220	O-RING 1A P-22.0	1							
11	1	26013-060322	BOLT M 6X 32	3							
12	1	26013-060402	BOLT M 6X 40	3							
13	1	26013-060452	BOLT M 6X 45	3							
14	1	26018-080162	BOLT M 8X 16	1							
15	1	26018-080202	BOLT M 8X 20	3							

Fig.74. WIRE HARNESS

(A)=KE-20T-AU-PQ

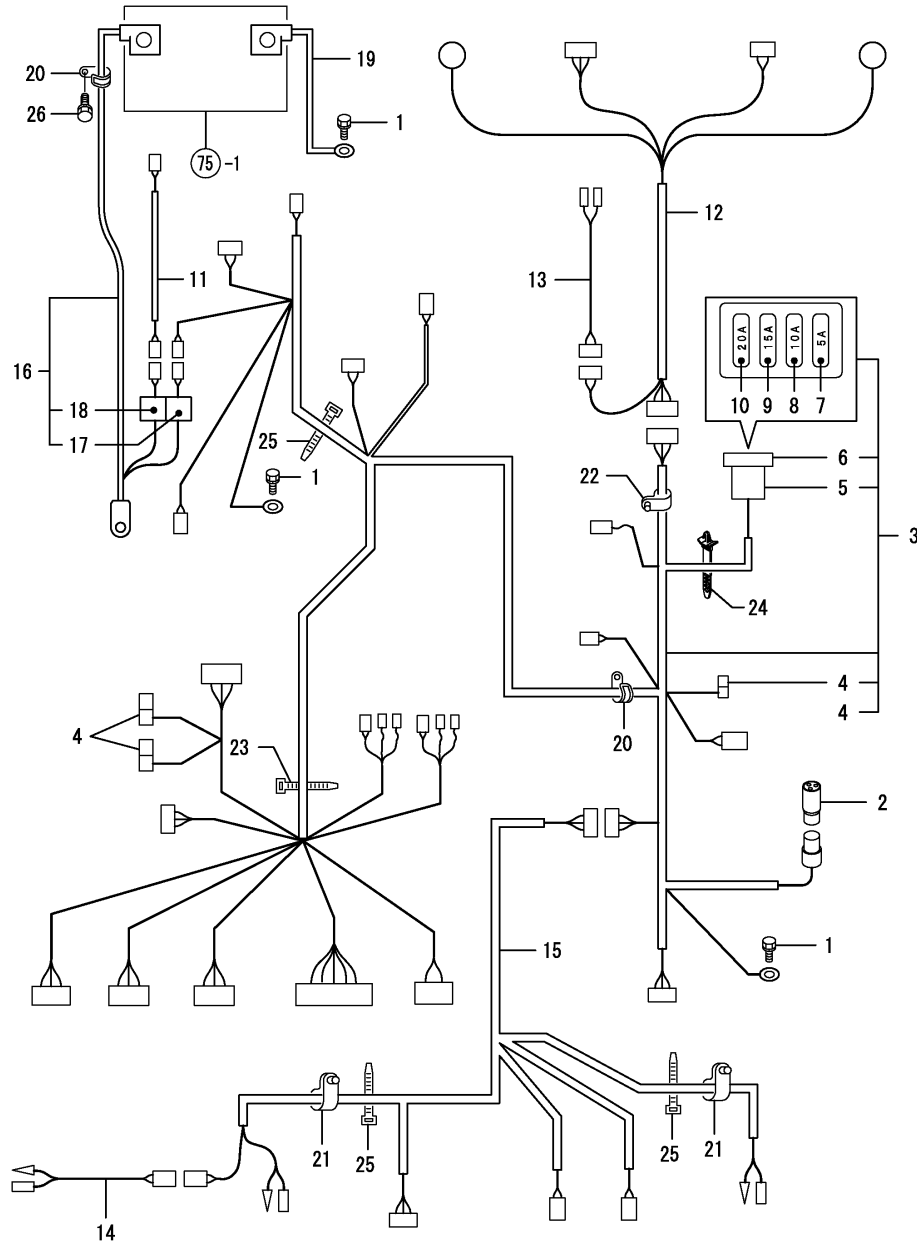
(B)=

(C)=

(D)=

(E)=

(F)=



REF.	LEV.	PARTS NO.	DESCRIPTION	Q'TY						I	R
				(A)	(B)	(C)	(D)	(E)	(F)		
1	1	1C6560-06300	BOLT M8X16,EARTH	3							
1-1	1	26106-080162	BOLT M 8X 16 PLATED	3							R
(A="2008.11.)											
2	1	1A7740-51100	SEAL CMP	1							
3	1	1A7720-51113	HARNESS, WIRE A	1							
4	2	198165-51130	DIODE 3A	3							
5	2	198162-52430	HUSER, 4P	1							
6	2	198162-52440	COVER	1							
7	2	29420-050000	FUSE, 5A	1							
8	2	29420-100000	FUSE, 10A	1							
9	2	29420-150000	FUSE, 15A	1							
10	2	29420-200000	FUSE, 20A	1							
11	1	1A7720-51151	HARNESS, WIRE P	1							
12	1	1A7720-51172	HARNESS, WIRE E	1							
13	1	1A7720-51180	HARNESS, WIRE EH	1							
14	1	1A7720-51250	HARNESS, WIRE S	1							
15	1	1A7740-51270	HARNESS, WIRE 3	1							
16	1	1A7720-51411	CABLE, BATTERY +	1							
17	2	1A6750-51170	FUSE 20A,SLOW BLOW	1							
18	2	1E8450-83120	FUSE,SLOW-BLOW	1							
19	1	1A7720-51420	CABLE, BATTERY EARTH	1							
20	1	194440-51620	CLAMP, WIRE HARNESS	2							
21	1	194197-51630	CLAMP 51	3							
22	1	194250-51650	CLAMP 66	1							
23	1	194250-51660	BAND 250	3							
24	1	194680-51670	BAND	3							
25	1	121750-59890	CLAMP 140	7							
26	1	26013-080122	BOLT M 8X 12	1							

Fig.75. BATTERY

0CNP5-G06900 75. BATTERY

(A)=KE-20T-AU-PQ

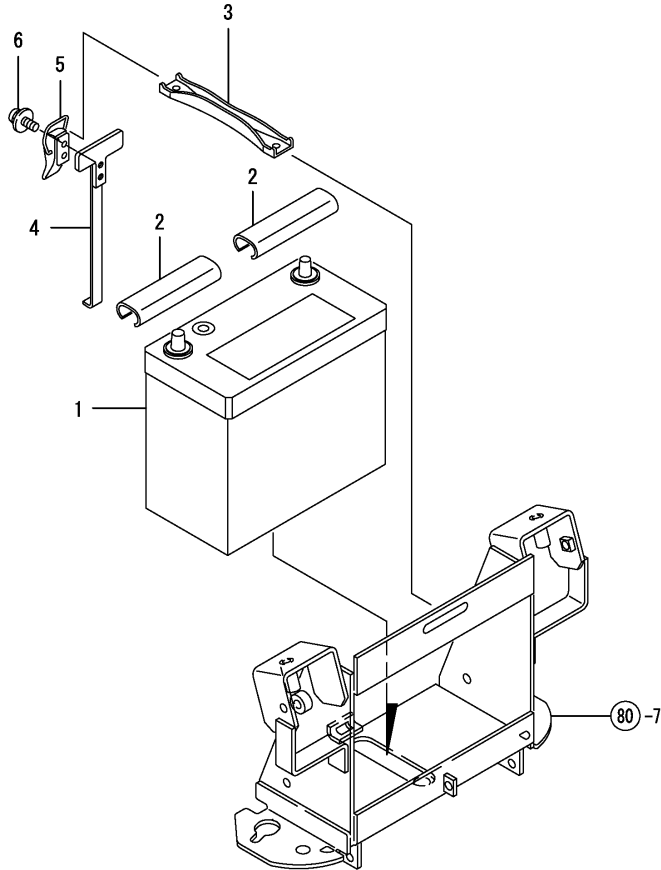
(B)=

(C)=

(D)=

(E)=

(F)=



REF.	LEV.	PARTS NO.	DESCRIPTION	Q'TY						I	R
				(A)	(B)	(C)	(D)	(E)	(F)		
1	1	198164-51500	BATTERY	1							
2	1	1A7740-51550	COVER, BATTERY	2							
3	1	198162-58110	CLAMP, BATTERY	1							
4	1	198162-58140	ROD,BATTERY CLAMP	1							
5	1	1E6210-82580	FASTENER	1							
6	1	26023-050122	SCREW M 5X 12	2							

Fig.76. SWITCHES

(A)=KE-20T-AU-PQ

(B)=

(C)=

(D)=

(E)=

(F)=

REF.	LEV.	PARTS NO.	DESCRIPTION	QTY						I	R
				(A)	(B)	(C)	(D)	(E)	(F)		
1	1	1C6900-07200	SWITCH,COUPLING	1							
2	1	198164-51310	COVER, HARNESS	1							
3	1	194940-52110	SWITCH,STARTER	1							
4	2	198360-52320	NUT,RING	1							
5	2	198360-52330	WASHER	1							
6	2	198360-52160	KEY COMPL.	1							
7	1	1A7450-52210	SWITCH ASSY,	1							
8	2	1A7450-52230	BULB, WITH SOCKET	1							
9	1	1A7720-52240	SWITCH,NEUTRAL	2							
10	1	1A7720-52260	SWITCH,METAL FITTING	1							
11	1	1A7720-52270	SWITCH,METAL FITTING	1							
12	1	119247-77100	RELAY, SAFETY	2							
13	1	1E6460-84220	NUT 2-M3,SWITCH	2							
14	1	26018-060162	BOLT M6X16	2							
15	1	26023-030202	SCREW, M3X20	4							
16	1	26023-050202	SCREW M 5X 20	2							
17	1	26716-050002	NUT, M5	2							
18	1	29621-150000	BAND, CABLE	1							

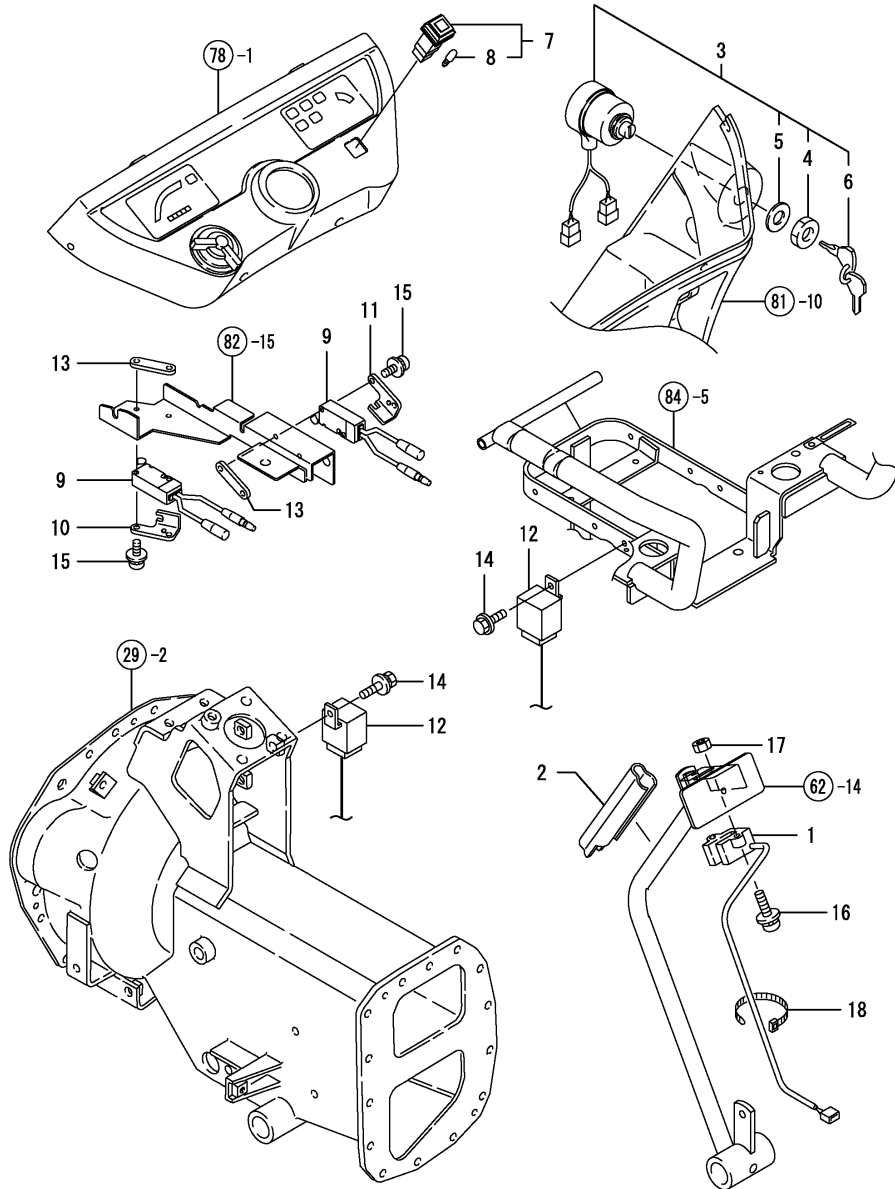


Fig.77. LAMPS

(A)=KE-20T-AU-PQ

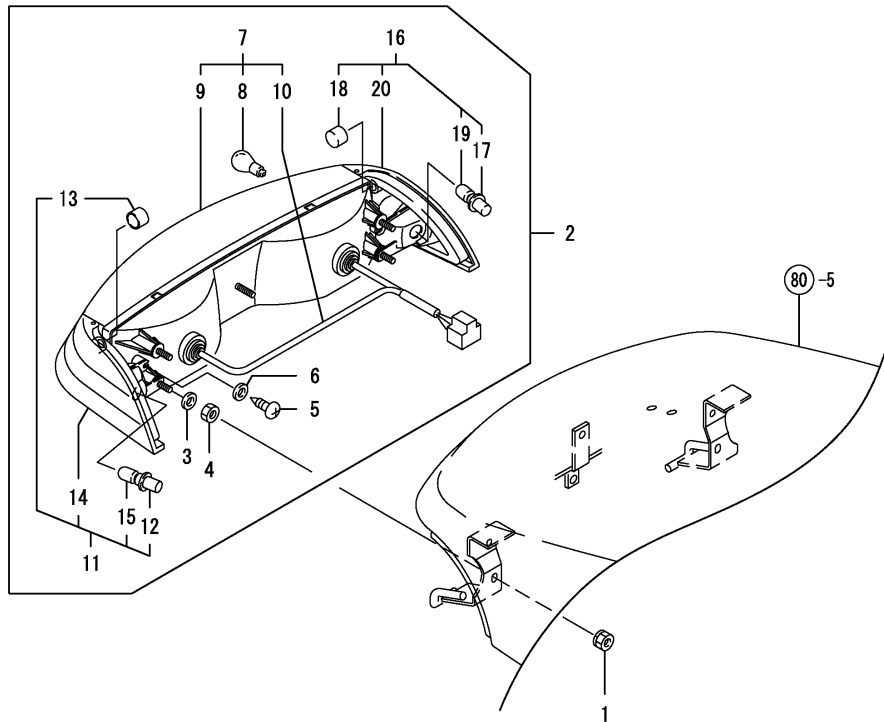
(B)=

(C)=

(D)=

(E)=

(F)=



REF.	LEV.	PARTS NO.	DESCRIPTION	Q'TY						I	R
				(A)	(B)	(C)	(D)	(E)	(F)		
1	1	194990-22130	NUT W/WASHER 6	5							
2	1	1A7720-53050	LAMP ASSY,ALL	1							
3	2	1A7720-53060	WASHER,6	2							
4	2	1A7720-53070	NUT,6	2							
5	2	1A7720-53080	SCREW,4X12	2							
6	2	1A7720-53090	WASHER	2							
7	2	1A7720-53100	LAMP ASSY, HEAD	1							
8	3	1W3851-20700	BULB 23W	2							
9	3	1A7720-53110	CASE ASSY,HEAD LAMP	1							
10	3	1A7720-53140	HARNES ,LAMP	1							
11	2	1A7720-53300	LAMP ASSY,LH	1							
12	3	1C6860-08160	SOCKET ASSY,	1							
13	3	1A7260-53220	CAP	1							
14	3	1A7720-53310	CASE ASSY,SIDELAMP L	1							
15	3	1A7720-53340	BULB, 12V-18W	1							
16	2	1A7720-53350	LAMP ASSY,RH	1							
17	3	1C6860-08160	SOCKET ASSY,	1							
18	3	1A7260-53220	CAP	1							
19	3	1A7720-53340	BULB, 12V-18W	1							
20	3	1A7720-53360	CASE ASSY,SIDELAMP R	1							

Fig.78. METER

(A)=KE-20T-AU-PQ

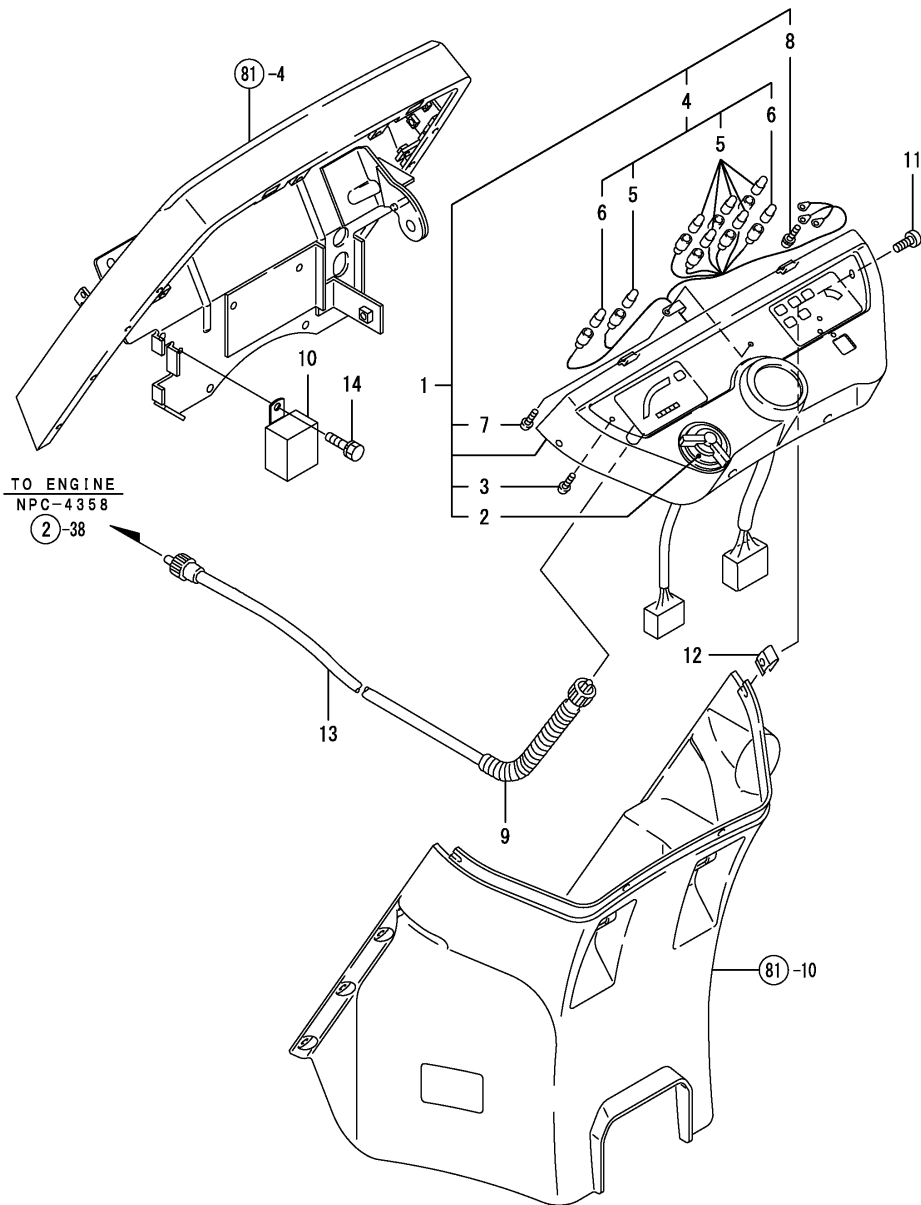
(B)=

(C)=

(D)=

(E)=

(F)=



REF.	LEV.	PARTS NO.	DESCRIPTION	QTY						I	R
				(A)	(B)	(C)	(D)	(E)	(F)		
1	1	1A7740-56110	PANEL ASSY, INSTRU.	1							
2	2	1W3852-00940	SWITCH	1							
3	2	1C6460-36151	SCREW 4X16,PLASTICS	8							
4	2	198164-56140	CORD ASSY	1							
5	3	194555-55820	BULB 12V-1.7W	6							
6	3	198421-56150	VALVE	2							
7	2	198421-56200	SCREW M4X10	1							
8	2	26022-030222	SCREW 3X22 W/SW	3							
9	1	198421-56910	TUBE,PROTECTIVE	1							
10	1	198200-57200	RELAY,FLASHER	1							
11	1	194145-61640	SCREW M 5X 16	4							
12	1	194167-61650	NUT 5008	4							
13	1	123440-91140	CABLE,TACHOMETER	1							
14	1	26016-060122	BOLT M 6X 12	1							

Fig.79. HORN

0CNP5-G06900 79. HORN

(A)=KE-20T-AU-PQ
(B)=
(C)=

(D)=
(E)=
(F)=

REF.	LEV.	PARTS NO.	DESCRIPTION	Q'TY						I	R
				(A)	(B)	(C)	(D)	(E)	(F)		
1	1	1C7100-08150	HORN,ELECTRIC	1							
2	1	26018-060162	BOLT M6X16	2							

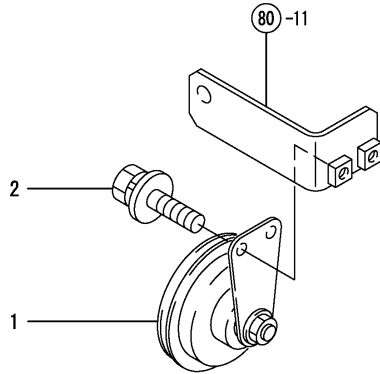
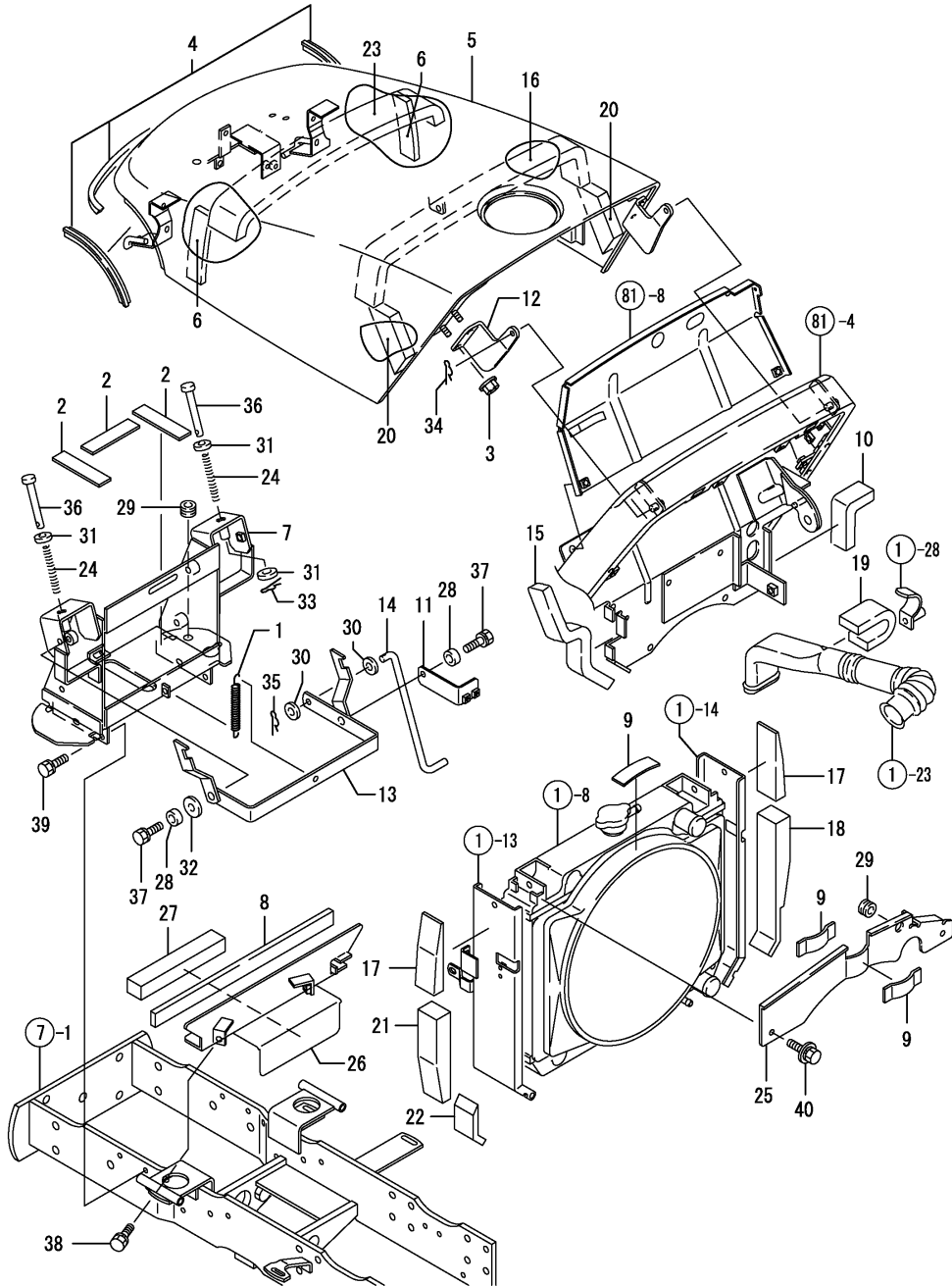


Fig.80. HOOD



(A)=KE-20T-AU-PQ

(B)=

(C)=

(D)=

(E)=

(F)=

REF.	LEV.	PARTS NO.	DESCRIPTION	QTY						I	R
				(A)	(B)	(C)	(D)	(E)	(F)		
1	1	194200-01680	SPRING	1							
2	1	198165-04380	RUBBER, 100X25X3	3							
3	1	194990-22130	NUT W/WASHER 6	2							
4	1	1A7720-53200	SEAL KIT, HEAD LAMP	1							
5	1	1A7740-61100	BONNET(M ASSY	1							
6	1	198162-61250	SEAL SA,BONNET	2							
7	1	198162-61310	STAY, BONNET	1							
8	1	198162-61340	SEAL,RADIATOR LOWER	1							
9	1	198162-61370	SEAL E,LADIATOR	3							
10	1	198421-61380	URETHANE CS20X25X200	1							
11	1	1A7720-61400	STAY, HORN ASSY	1							
12	1	198162-61410	HINGE L,BONNET	1							
13	1	198162-61430	HOOK,BONNET	1							
14	1	198162-61440	LINK,HOOK	1							
15	1	198421-61460	FOAMS S,URETHANE	1							
16	1	198421-61470	FOAMS,BONNET URETHAN	1							
17	1	198162-61480	FOAM,RAD.IN.URETHANE	2							
18	1	198162-61490	FOAM,RAD.LW.URETHANE	1							
19	1	198421-61510	FOAM,SUC.PIPE URETHN	1							
20	1	198421-61540	PAD, REAR	2							
21	1	198163-61680	URETHANE,	1							
22	1	198163-61690	URETHANE	1							
23	1	1A7720-61810	SEAL, HOOD UPPER	1							
24	1	198165-61850	SPRING, BONNET	2							
25	1	198162-61910	PLATE, PROTECTOR UP	1							
26	1	198162-61930	PLATE, LOWER	1							
27	1	198164-61950	SEAL,PLATE	1							
28	1	1C6560-75311	COLLAR 8.8X12X8	2							
29	1	172026-81740	GROMMET 16X22X8	2							
30	1	22137-080000	WASHER 8, POLISHED	2							
31	1	22157-060000	WASHER 6	4							
32	1	22157-080000	WASHER 8	1							
33	1	22372-060000	SNAP PIN 6	2							
34	1	22372-080000	SNAP PIN (JASO 8)	1							
35	1	22372-080000	SNAP PIN (JASO 8)	1							
36	1	22487-060800	PIN, H6X80	2							
37	1	26013-080202	BOLT W/WASHER M8X20	2							
38	1	26016-080202	BOLT M 8X 20	2							
39	1	26016-080202	BOLT M 8X 20	4							
40	1	26018-080202	BOLT M 8X 20	2							

Fig.81. DASHBOARD

(A)=KE-20T-AU-PQ

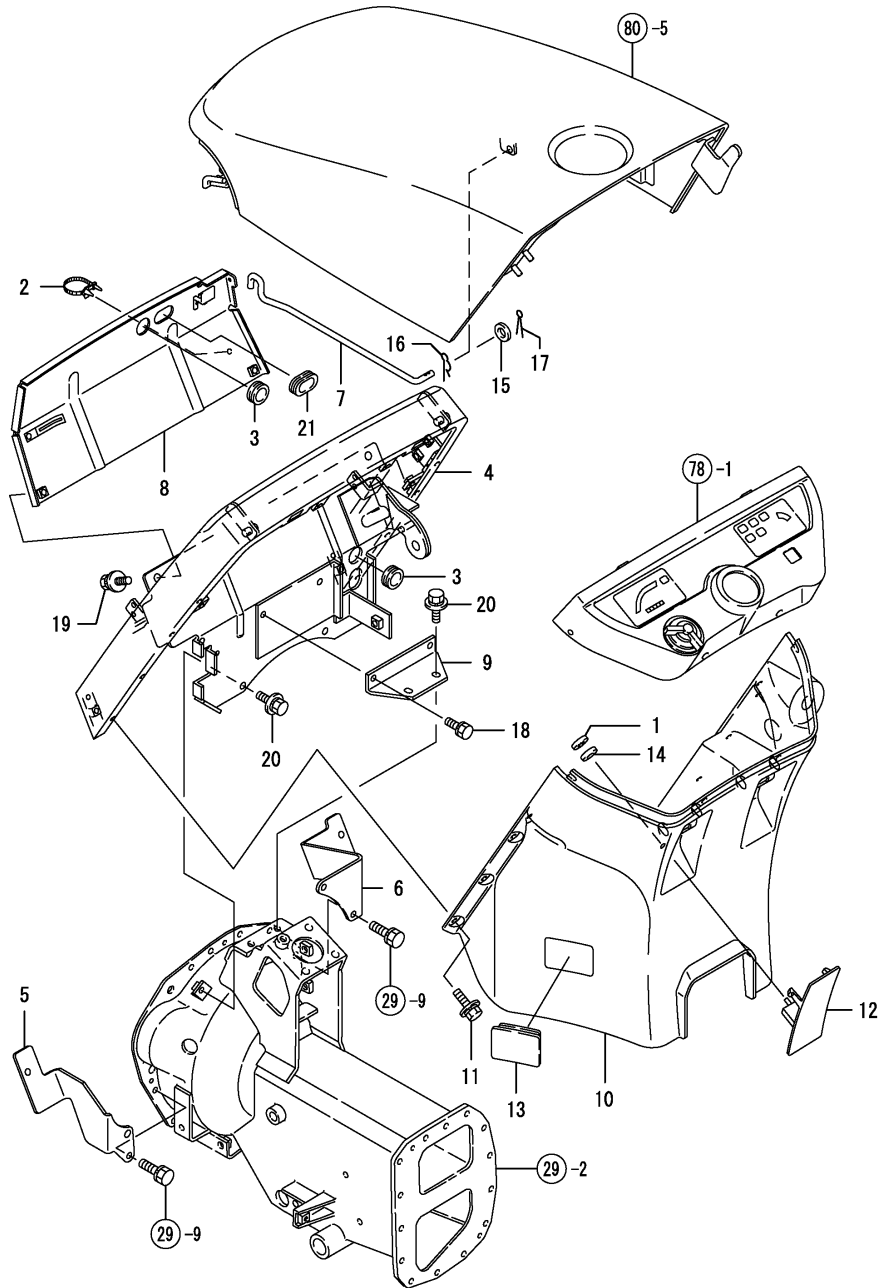
(B)=

(C)=

(D)=

(E)=

(F)=



REF.	LEV.	PARTS NO.	DESCRIPTION	QTY						I	R
				(A)	(B)	(C)	(D)	(E)	(F)		
1	1	1C6460-38240	NUT 5,PUSH	1							
2	1	194680-51670	BAND	1							
3	1	194162-58830	GROMMET 20	2							
4	1	1A7740-61500	STAY,DASHBOARD(M CMP	1							
5	1	198162-61530	FIXTURE L,DSHBD.STAY	1							
6	1	198162-61540	FIXTURE R,DSHBD.STAY	1							
7	1	198162-61551	ROD, BONNET	1							
8	1	198162-61570	PLATE, AIR CUT	1							
9	1	198164-61580	STAY, AIR CUT PLATE	1							
10	1	198162-61611	DASH BOARD	1							
11	1	198421-61620	BOLT 6X20	8							
12	1	198162-61630	DASH BOAD	1							
13	1	194802-62310	CAP, RUBBER	1							
14	1	194555-65130	CUSHION	1							
15	1	22117-080000	WASHER 8	1							
16	1	22372-080000	SNAP PIN (JASO 8)	1							
17	1	22417-200160	COTTER PIN 2.0X16	1							
18	1	26016-080202	BOLT M 8X 20	2							
19	1	26018-080162	BOLT M 8X 16	2							
20	1	26018-080202	BOLT M 8X 20	4							
21	1	29311-252000	GROMMET 25.0X2.0	1							

Fig.82. FENDER

(A)=KE-20T-AU-PQ

(B)=

(C)=

(D)=

(E)=

(F)=

REF.	LEV.	PARTS NO.	DESCRIPTION	QTY						I	R
				(A)	(B)	(C)	(D)	(E)	(F)		
1	1	194990-22130	NUT W/WASHER 6	1							
2	1	194990-22130	NUT W/WASHER 6	3							
3	1	194990-22130	NUT W/WASHER 6	2							
4	1	194990-22130	NUT W/WASHER 6	2							
5	1	198163-27480	GUIDE B,CHANGE LEVER	1							
6	1	1C6650-35150	SCREW M6X16,BLK.M/C	1							
7	1	194300-37570	SPRING, CONICAL	2							
8	1	198435-47710	GUIDE,HYDRO.LEVER	1							
9	1	198431-47750	BOLT,STOPPER WING	2							
10	1	198431-47760	STOPPER,HYDRO.LEVER	2							
11	1	194310-61610	GROMMET 9	3							
12	1	1A7740-62100	FENDER M ASSY, R	1							
13	1	198163-62110	FENDER (L)	1							
14	1	198162-62210	CLAMP,FENDER	2							
15	1	1A7720-62250	BRACKET,SWITCH ASSY	1							
15-1	1	1C1280-62250	BRACKET,SWITCH ASSY	1							N
(A="2008.06.)											
16	1	1A7720-62300	REFLECTOR	2							
17	1	1A7740-62300	STOPPER	1							
18	1	198421-62410	SPRING 12X100,TENSN	1							
19	1	22157-080000	WASHER 8	2							
20	1	22417-200160	COTTER PIN 2.0X16	2							
21	1	26018-080252	BOLT M8X 25	4							

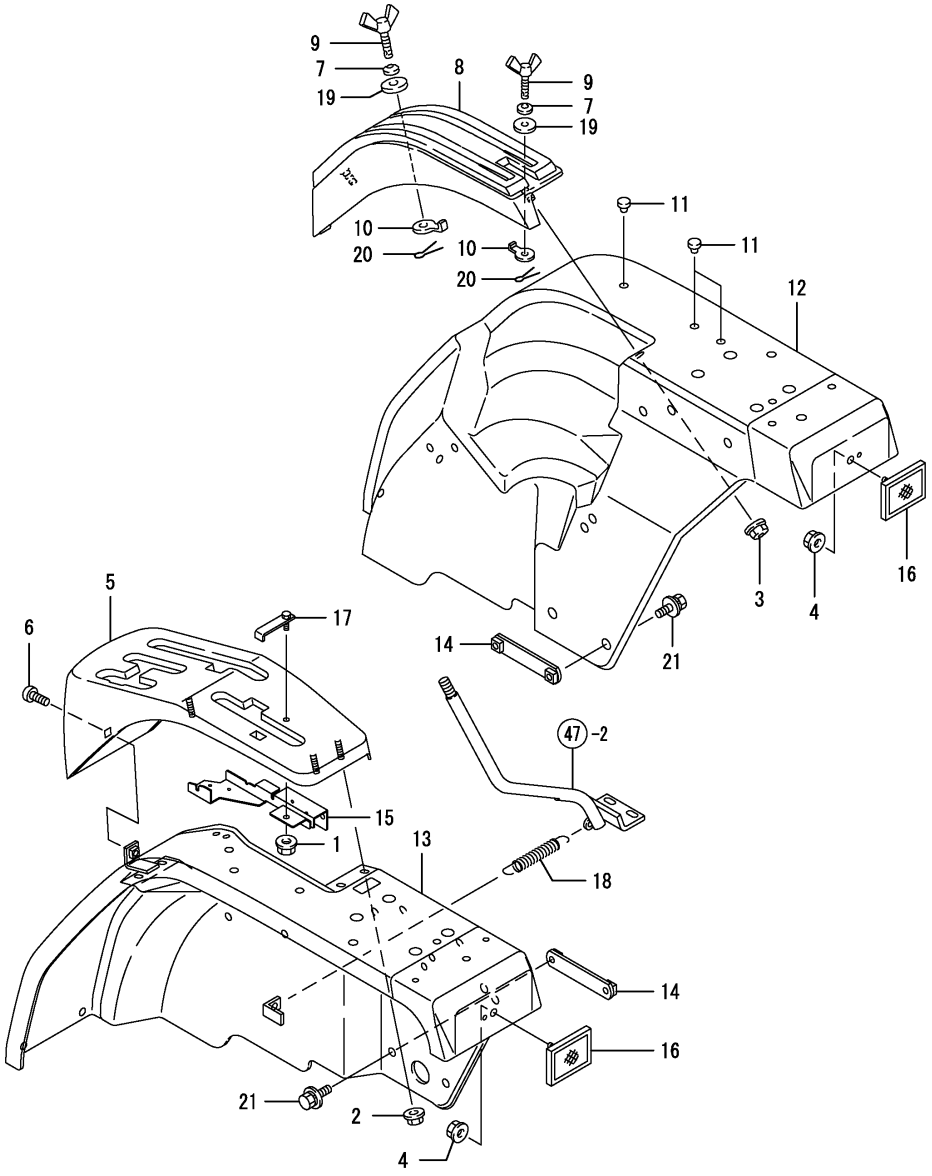
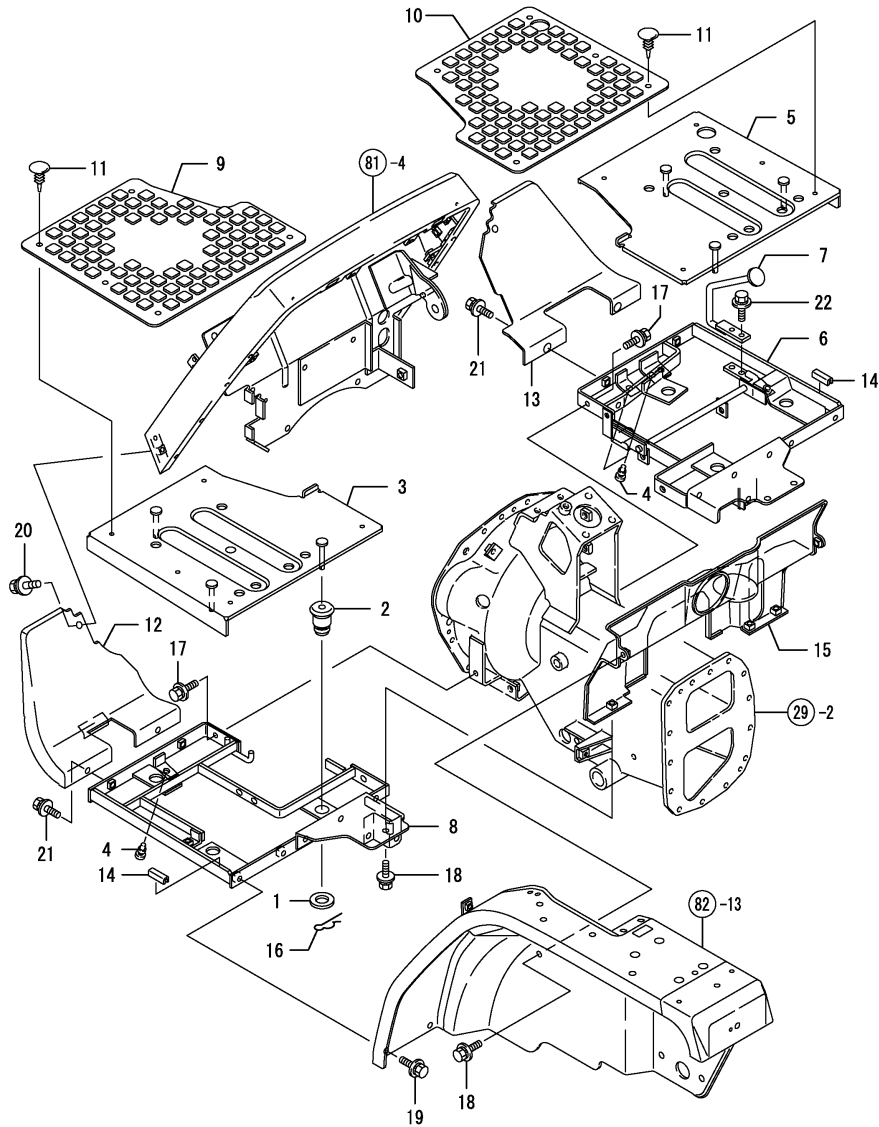


Fig.83. FOOTREST



(A)=KE-20T-AU-PQ

(B)=

(C)=

(D)=

(E)=

(F)=

REF.	LEV.	PARTS NO.	DESCRIPTION	QTY						I	R
				(A)	(B)	(C)	(D)	(E)	(F)		
1	1	198220-62150	WASHER	6							
2	1	198240-62451	RUBBER,STEP VIBPRF.	6							
3	1	198162-62510	STEP (L)	1							
4	1	194330-62530	STOPPER, PEDAL	3							
5	1	198162-62560	STEP (R)	1							
6	1	198162-62580	FRAME R,STEP	1							
7	1	198162-62590	ACCEL PEDAL	1							
8	1	1A7720-62600	FRAME, STEP L CMP	1							
9	1	198162-62610	RUBBER L,STEP	1							
10	1	198162-62620	RUBBER R,STEP	1							
11	1	198162-62630	FASTENER	10							
12	1	198162-62650	COVER L,FOOT	1							
13	1	198162-62660	COVER R,FOOT	1							1
14	1	198220-62890	STOPPER	8							
15	1	198162-62950	COVER,TRANSM.FRONT	1							
16	1	22372-080000	SNAP PIN (JASO 8)	6							
17	1	26018-080202	BOLT M 8X 20	4							
18	1	26018-080202	BOLT M 8X 20	5							
19	1	26018-080202	BOLT M 8X 20	4							
20	1	26018-080202	BOLT M 8X 20	2							
21	1	26018-080202	BOLT M 8X 20	4							
22	1	26018-080202	BOLT M 8X 20	2							

Remarks
 (1) REPLACE WITH A LABEL
 (198163-65780).

Fig.84. DRIVER SEAT

(A)=KE-20T-AU-PQ

(B)=

(C)=

(D)=

(E)=

(F)=

REF.	LEV.	PARTS NO.	DESCRIPTION	QTY						I	R
				(A)	(B)	(C)	(D)	(E)	(F)		
1	1	198435-62410	ASSIST BAR GRIP	2							
2	1	1A7720-63010	SEAT ASSY, OPERATOR	1							
3	1	1A6750-63050	SEAT BELT	1							
4	1	198421-63140	RUBBER,CUSHION	2							
5	1	198163-63213	SEAT ASSY, BRACKET	1							
6	1	198425-63270	PIN 8X190	1							
7	1	194205-63550	BREATHER, AIR	1							
8	1	22372-080000	SNAP PIN (JASO 8)	2							
9	1	23065-090400	PIPE 9X400	1							
10	1	23080-012000	CLAMP 12	2							
11	1	26013-080202	BOLT W/WASHER M8X20	1							
12	1	26013-100202	BOLT W/WASHER M10X20	2							
13	1	26018-080162	BOLT M 8X 16	1							
14	1	26018-080202	BOLT M 8X 20	2							
15	1	26018-080252	BOLT M8X 25	2							

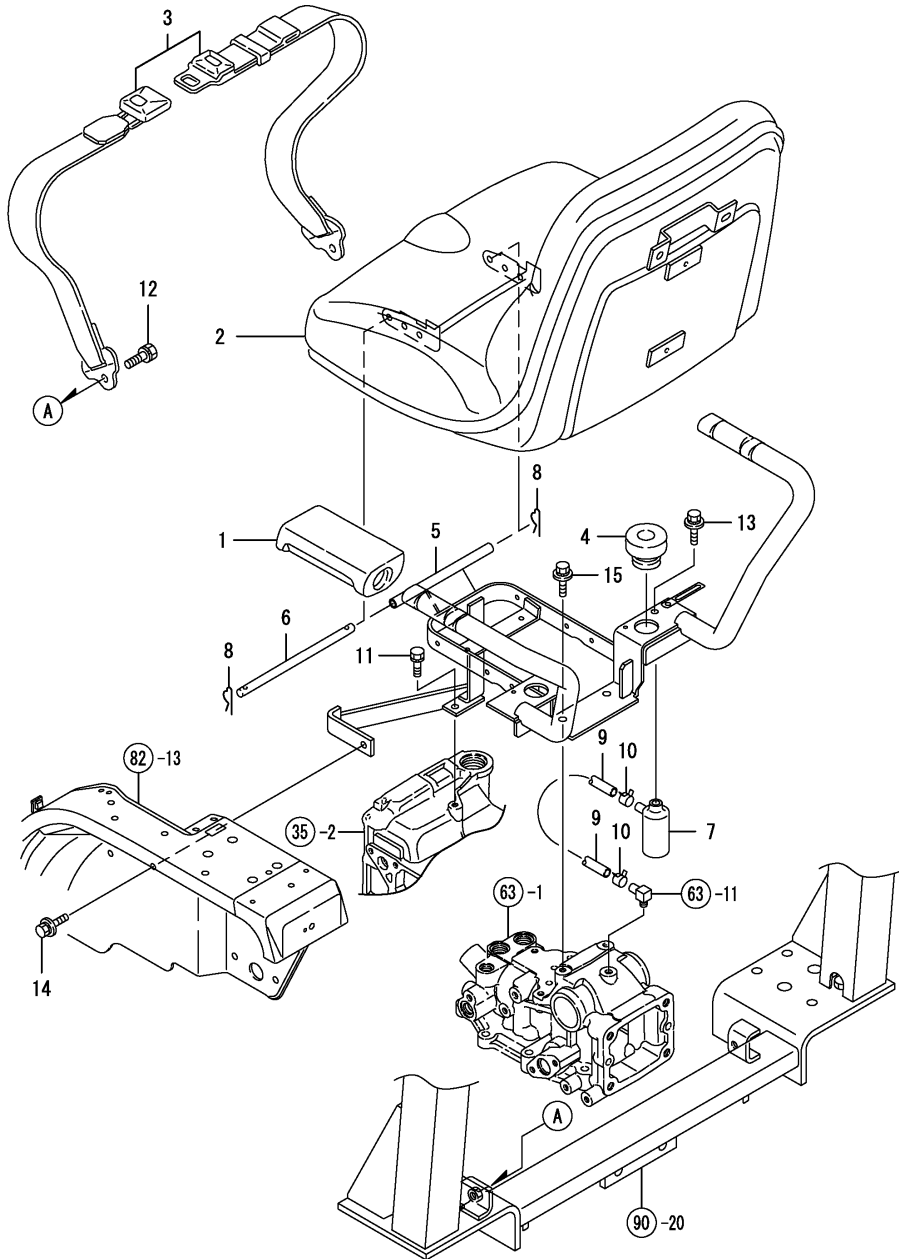
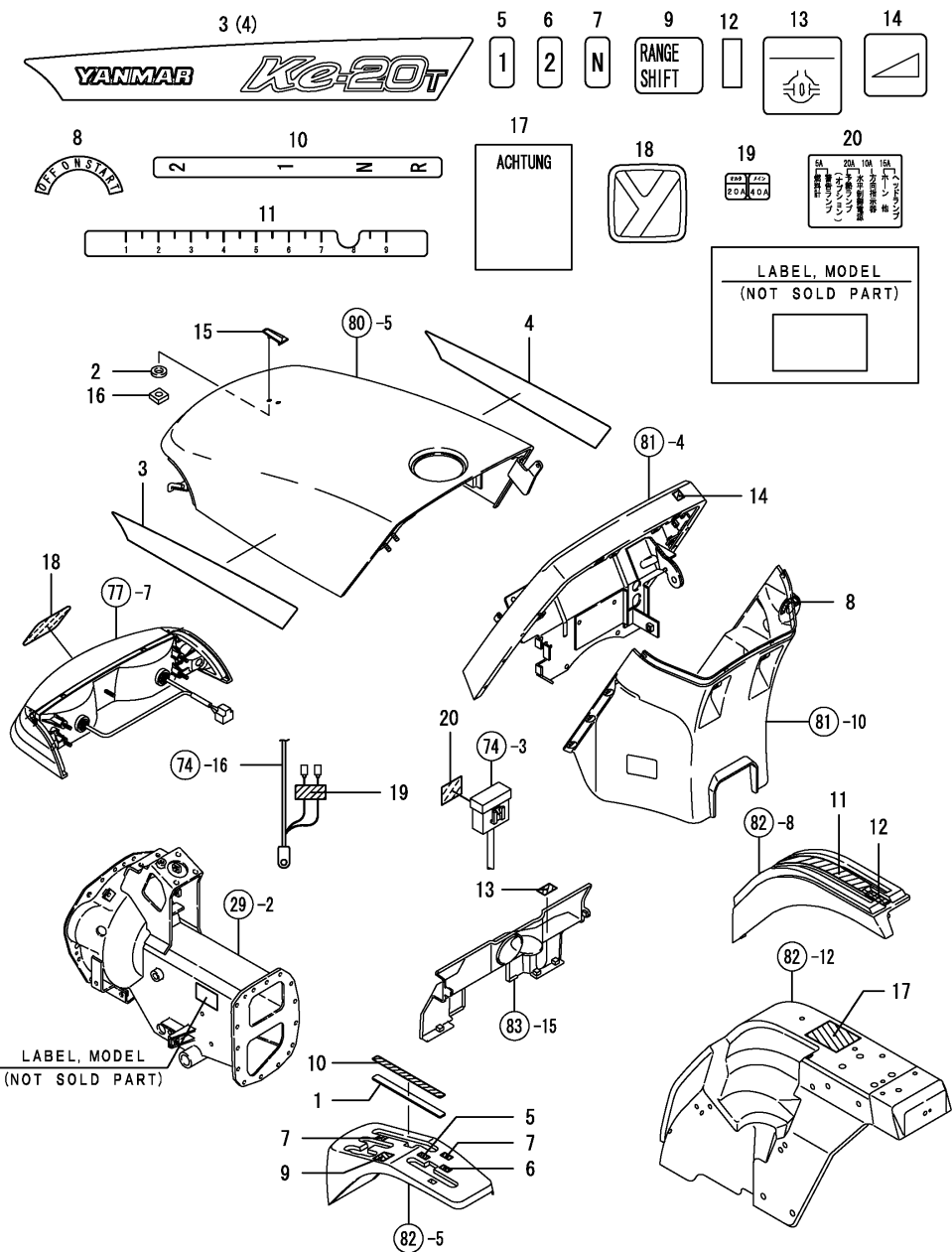


Fig.85. LABEL



(A)=KE-20T-AU-PQ
(B)=
(C)=

(D)=
(E)=
(F)=

REF.	LEV.	PARTS NO.	DESCRIPTION	QTY						I	R	
				(A)	(B)	(C)	(D)	(E)	(F)			
1	1	198163-27420	PLATE, GUIDE	1								
2	1	194555-65130	CUSHION		2							
3	1	1A7740-65131	LABEL, NAME			1						
4	1	1A7740-65141	LABEL, NAME				1					
5	1	1A7740-65200	LABEL, 1					1				
6	1	1A7740-65210	LABEL, 2						1			
7	1	198435-65220	LABEL,N							2		
8	1	198010-65720	LABEL								1	
9	1	198435-65240	LABEL,SUB-CHANGE								1	
10	1	198163-65270	LABEL,MAIN CHANGE								1	
11	1	198036-65420	LABEL,HYDROOLIFT								1	
12	1	198421-65430	LABEL,								1	
13	1	194240-65441	LABEL, DIFF. LOCK								1	
14	1	1A6640-65530	LABEL,THROTTLE								1	
15	1	1A6750-65590	MARK, TOP								1	
16	1	194200-65611	NUT, 5								2	
17	1	1A6770-65630	LABEL (PINCH CLEARE.								1	
18	1	198421-65030	MARK 50,YANMAR								1	
19	1	1A7720-65770	LABEL,								1	W
		(A=*2008.09.)										
20	1	198162-65890	LABEL,FUSE								1	W
		(A=*2008.09.)										

Fig.86. LABELS(SAFETY

(A)=KE-20T-AU-PQ

(B)=

(C)=

(D)=

(E)=

(F)=

REF.	LEV.	PARTS NO.	DESCRIPTION	QTY						I	R
				(A)	(B)	(C)	(D)	(E)	(F)		

1	1	198163-65310	LABEL, SAFETY	1							
2	1	198163-65940	CAUTION,SAFETY COVER	2							
3	1	1A6150-91251	LABEL,RAKE CAUTION	1							
4	1	1A6150-93151	LABEL,COVER	1							
5	1	198163-65780	LABEL,BRAKE COUPLING	1							

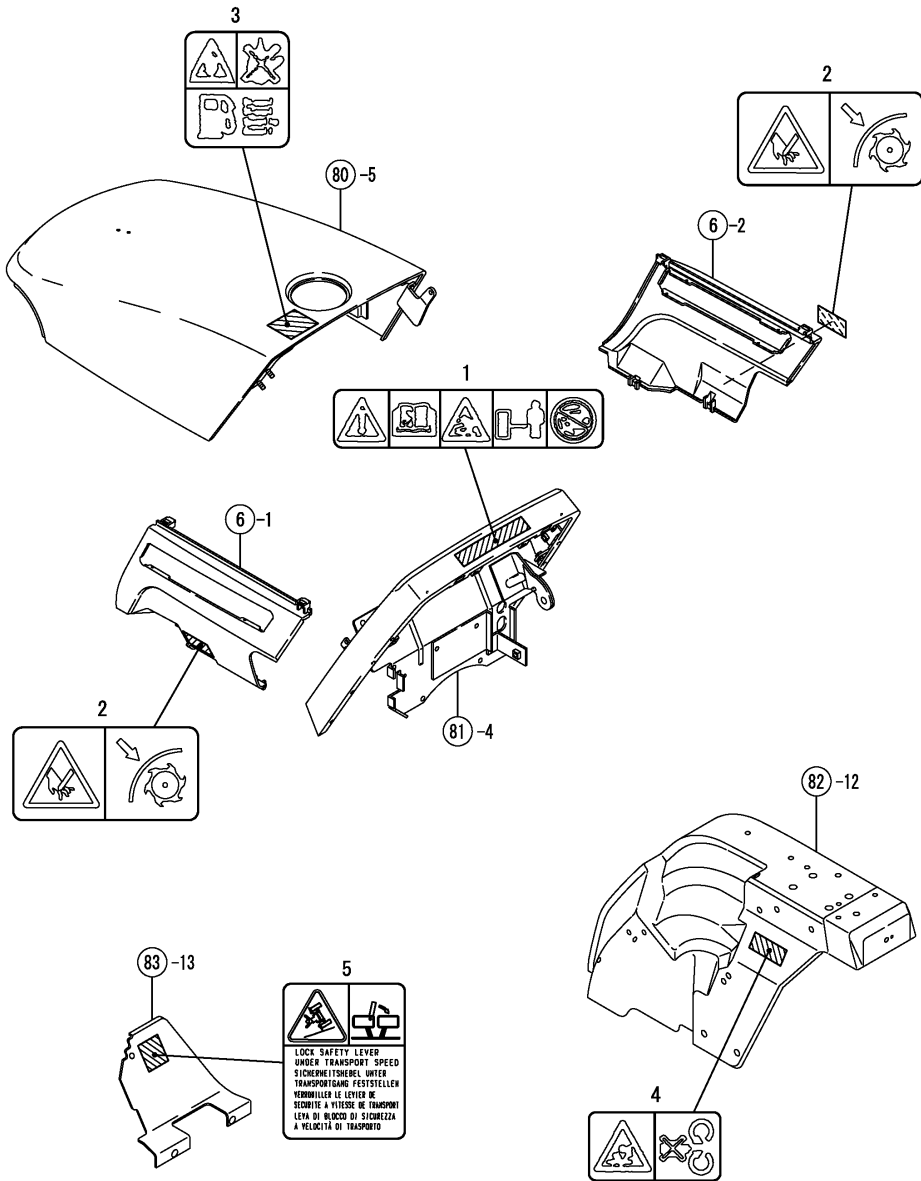


Fig.87. PTO GUARD

(A)=KE-20T-AU-PQ
(B)=
(C)=

(D)=
(E)=
(F)=

REF.	LEV.	PARTS NO.	DESCRIPTION	Q'TY						I	R
				(A)	(B)	(C)	(D)	(E)	(F)		
1	1	198163-75510	COVER, PTO GUARD	1							
2	1	26018-060162	BOLT M6X16	4							

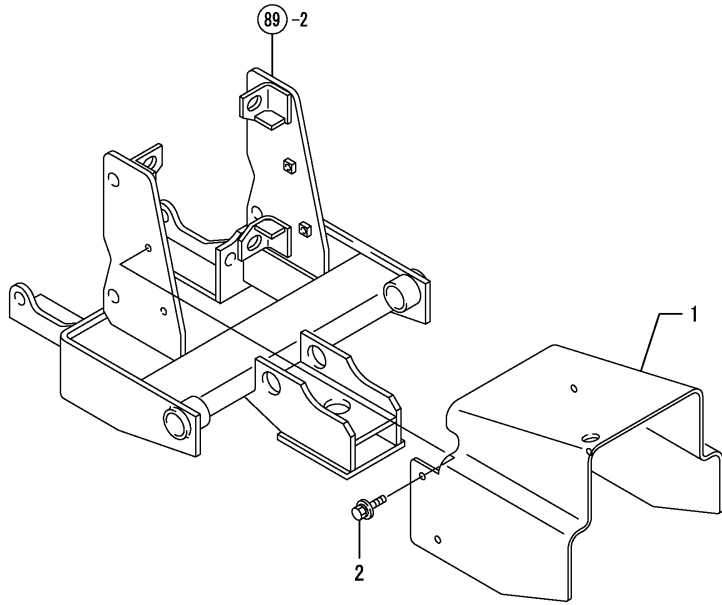


Fig.88. 3-POINT HITCH

(A)=KE-20T-AU-PQ

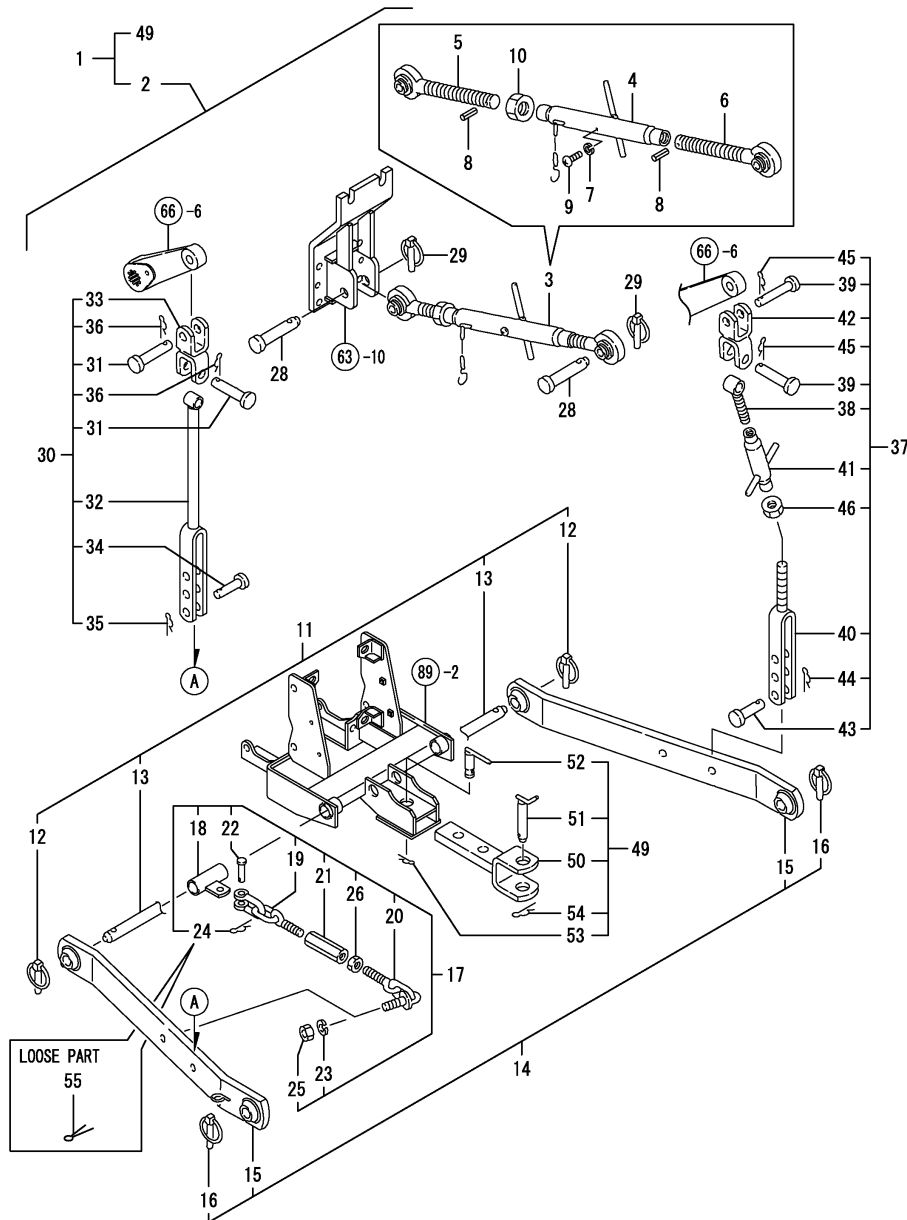
(B)=

(C)=

(D)=

(E)=

(F)=



REF.	LEV.	PARTS NO.	DESCRIPTION	QTY						I	R
				(A)	(B)	(C)	(D)	(E)	(F)		
1	1	7A7740-71000	3P-DRAWBAR KIT(KE20T	1							
2	2	7A7740-71100	HITCH,3P-KE-20T KIT	1							
3	3	7T6963-01100	LIK-ASSY,TOP T-710	1							
4	4	194555-71500	TURNBUCKLE	1							
5	4	194145-71600	LINK (R), TOP	1							
6	4	194145-71700	LINK (L), TOP	1							
7	4	22217-060000	SPRING WASHER 6	1							
8	4	22351-040024	SPRING PIN 4X24	2							
9	4	26557-060102	SCREW, M6X10	1							
10	4	26756-240002	LOCK NUT M24 PLATED	1							
11	3	7T6962-10000	HINGE F13,LOWER LINK	1							
12	4	794130-71410	PIN ASSY,BALL SOCKET	2							
13	4	194193-73160	PIN, HINGE	1							
14	3	7T6964-18600	LINK ASSY.,LOWER	1							
15	4	1T6964-18610	LINK ASSY, LOWER	2							
16	4	794130-71410	PIN ASSY,BALL SOCKET	2							
17	3	7T6964-18700	CHECK CHAIN ASY	1							
18	4	1T6962-10250	SUPPORTER,CHK.CHAIN	2							
19	4	1T6964-18710	CHAIN COMP.,FRNT.CHK	2							
20	4	1T6964-18760	CHAIN COMP.,REAR CHK	2							
21	4	1T6964-18790	NUT 10	2							
22	4	194150-74630	PIN, SHACKLE	2							
23	4	22217-160000	SPRING WASHER 16	2							
24	4	22360-140000	SNAP PIN 14	2							
25	4	26716-160002	NUT M16	2							
26	4	26756-140002	LOCK NUT M14 PLATED	2							
28	3	194150-71230	PIN, TOP LINK	2							
29	3	794130-71410	PIN ASSY,BALL SOCKET	2							
30	3	1A7740-72000	LINK ASSY, LIFT L	1							
31	4	195165-17390	PIN 16X48	2							
32	4	1A7740-72100	LIFTLINK L CMP	1							
33	4	194193-72410	LINK JOINT,LIFT	1							
34	4	194150-72460	PIN, LIFT YOKE	1							
35	4	22360-140000	SNAP PIN 14	1							
36	4	22360-160000	SNAP PIN 16	2							
37	3	1A7740-72200	LINK ASSY, LIFT R	1							
38	4	1T6961-10300	LINK R,LIFT UPPER	1							
39	4	195165-17390	PIN 16X48	2							
40	4	1A7740-72210	LIFTLINK R CMP	1							
41	4	194190-72231	TURNBUCKLE,LIFT LINK	1							
42	4	194193-72410	LINK JOINT,LIFT	1							
43	4	194150-72460	PIN, LIFT YOKE	1							
44	4	22360-140000	SNAP PIN 14	1							
45	4	22360-160000	SNAP PIN 16	2							
46	4	26756-180002	LOCK NUT M18 PLATED	1							
49	2	7A7740-75100	DRAWBER HITCH KIT	1							
50	3	1T6964-18810	HITCH,DRAWBER	1							
51	3	194145-75240	PIN 22X 70, HITCH	1							
52	3	194340-75530	PIN, REAR HITCH	1							
I	53	22360-200000	SNAP PIN 20	1							
	54	22360-200000	SNAP PIN 20	1							

Remarks
(1) LOOSE PART

Fig.88. 3-POINT HITCH

(A)=KE-20T-AU-PQ

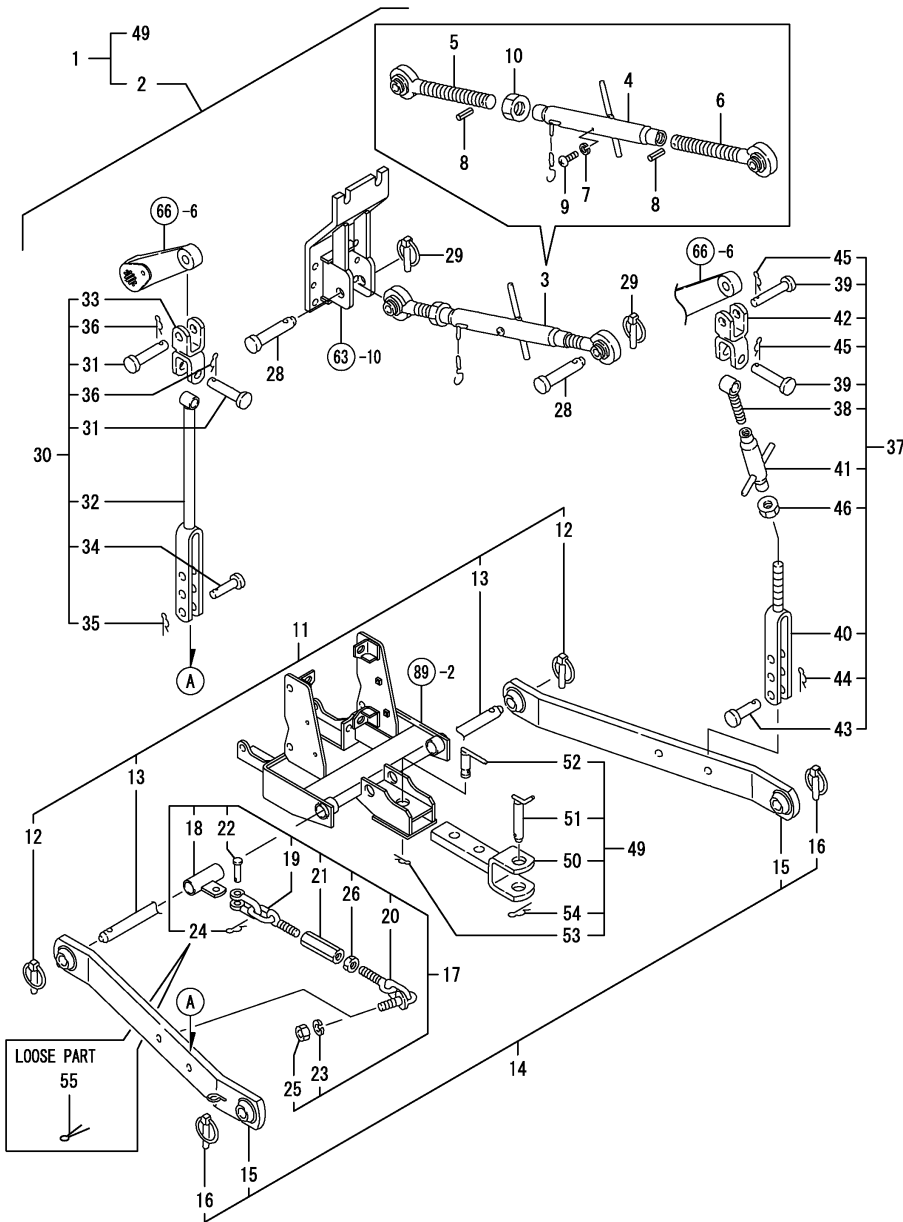
(B)=

(C)=

(D)=

(E)=

(F)=



REF.	LEV.	PARTS NO.	DESCRIPTION	QTY						I	R	
				(A)	(B)	(C)	(D)	(E)	(F)			
I	55	1	22417-320250	COTTER PIN 3.2X25	2							1

Remarks
(1) LOOSE PART

Fig.89. REAR HITCH

(A)=KE-20T-AU-PQ
(B)=
(C)=

(D)=
(E)=
(F)=

REF.	LEV.	PARTS NO.	DESCRIPTION	Q'TY						I	R
				(A)	(B)	(C)	(D)	(E)	(F)		
1	1	7A7740-75200	HITCH KIT, REAR	1							
2	2	1A7740-75211	REAHICH CMP	1							
3	2	26013-120302	BOLT W/WASHER M12X30	14							

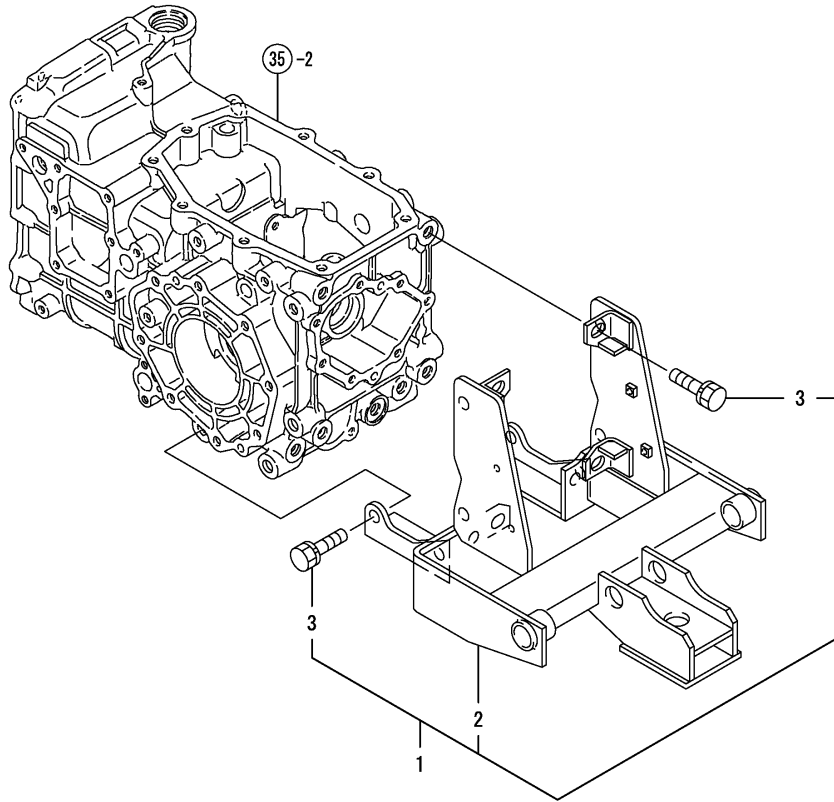


Fig.90. ROPS

(A)=KE-20T-AU-PQ

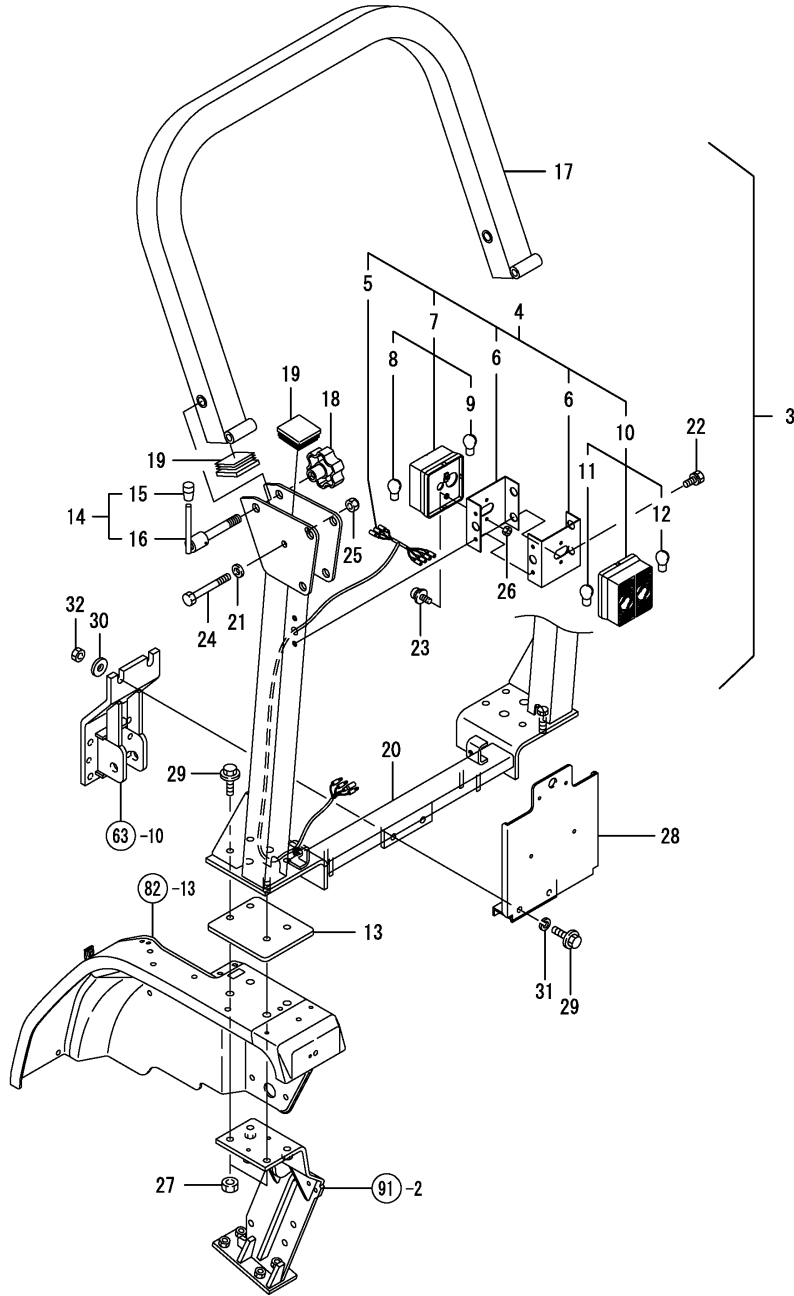
(B)=

(C)=

(D)=

(E)=

(F)=



REF.	LEV.	PARTS NO.	DESCRIPTION	Q'TY						I	R
				(A)	(B)	(C)	(D)	(E)	(F)		
3	1	1A7740-85050	ROPS(20 KIT	1							
4	2	198163-53300	COMB LIGHT CMP	2							
5	3	198163-51520	WIRE HARNESS	2							
6	3	198163-53230	BRACKET(CM BLAMP	4							
7	3	198163-53310	F CM BLAMP CMP	2							
8	4	1A7100-53220	BULB	2							
9	4	1A7100-53230	BULB	2							
10	3	198163-53330	R CM BLAMP CMP	2							
11	4	1A7100-53220	BULB	2							
12	4	198163-53350	BULB 12V5W21W	2							
13	2	198163-85290	BASEPLATE	2							
14	2	198163-85410	HANDLE SET J(ROPS	2							
15	3	194150-01190	KNOB, THROTTLE LEVER	2							
16	3	198163-85620	HANDLE(ROPS CMP	2							
17	2	198163-85560	UPPERFRAME(U CMP	1							
18	2	198163-85630	KNOB M16	2							
19	2	198163-85640	CAP(ROPS	4							
20	2	1A7740-85850	UPPERFRAME(L CMP	1							
21	2	22137-120000	WASHER 12,POLISHED	2							
22	2	26013-060162	BOLT M 6X 16	4							
23	2	26023-050122	SCREW M 5X 12	4							
24	2	26076-121002	BOLT M12X100	2							
25	2	26346-120002	U-NUT, M12	2							
26	2	26716-050002	NUT, M5	4							
27	2	26716-120002	NUT 12	6							
28	1	198163-85670	PLATE(N.P CMP	1							
29	1	198165-85960	BOLT M12X 45 PLATED	8							
30	1	22157-120000	WASHER 12	2							
31	1	22217-120000	SPRING WASHER 12	2							
32	1	26716-120002	NUT 12	2							

Fig.91. LOWER FRAME

0CNP5-G06900 91. LOWER FRAME

(A)=KE-20T-AU-PQ

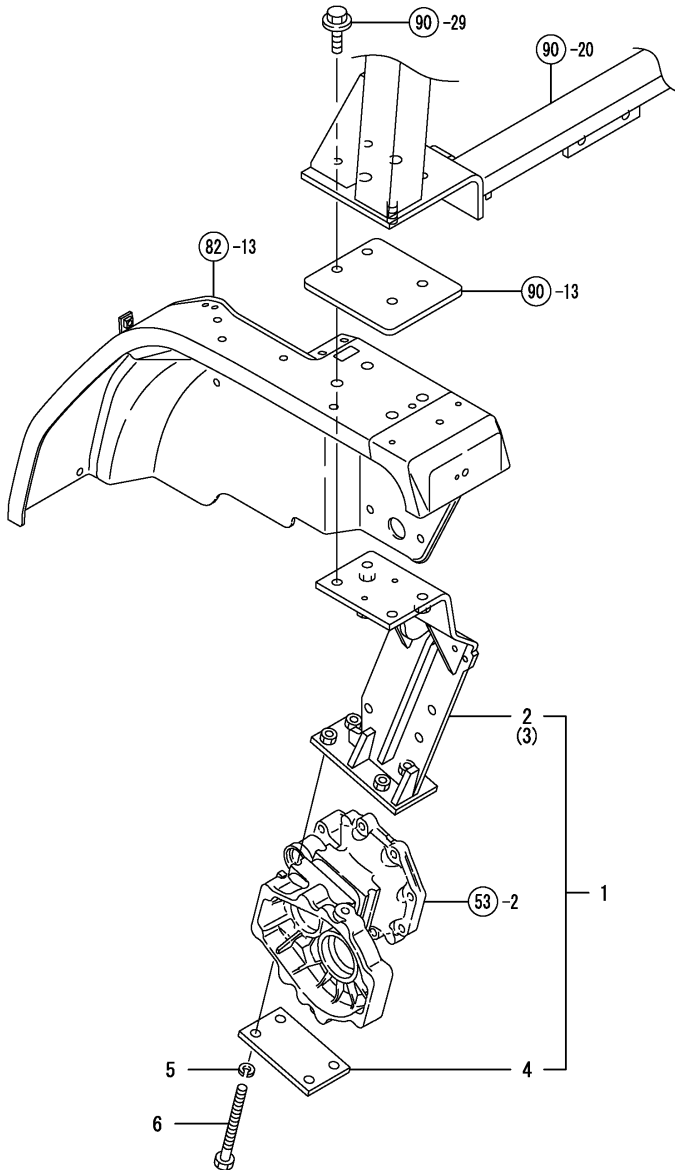
(B)=

(C)=

(D)=

(E)=

(F)=



REF.	LEV.	PARTS NO.	DESCRIPTION	Q'TY						I	R
				(A)	(B)	(C)	(D)	(E)	(F)		
1	1	198163-85081-1	ROPS SET,LOWER 140	1							
2	2	198163-85150-1	FRAME ASSY, LOWER CL	1							
3	2	198163-85250-1	FRAME ASSY, LOWER CR	1							
4	2	198162-85360-1	PLATE L,ROPS LOWER	2							
5	1	22217-120000	SPRING WASHER 12	8							
6	1	26076-121252	BOLT, 12 X 125	8							

Fig.93. BACK MIRROR

0CNP5-G06900 93. BACK MIRROR

(A)=KE-20T-AU-PQ
(B)=
(C)=

(D)=
(E)=
(F)=

REF.	LEV.	PARTS NO.	DESCRIPTION	Q'TY						I	R
				(A)	(B)	(C)	(D)	(E)	(F)		
1	1	198425-64101	MIRROR	1							
2	1	198421-64150	BOLT 8X20	2							

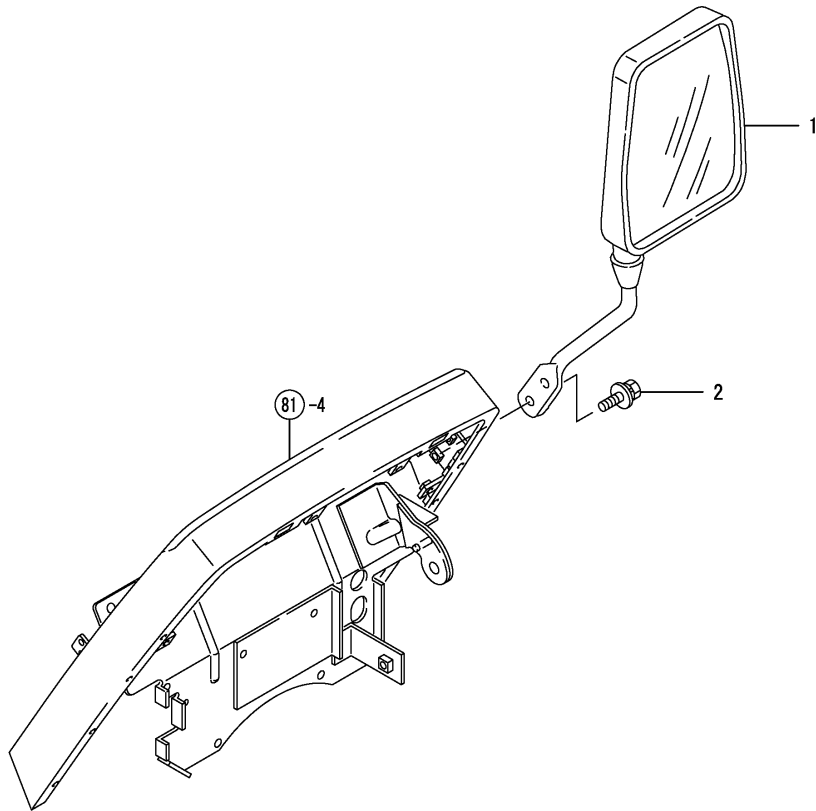


Fig.94. OPTION

(A)=KE-20T-AU-PQ

(B)=

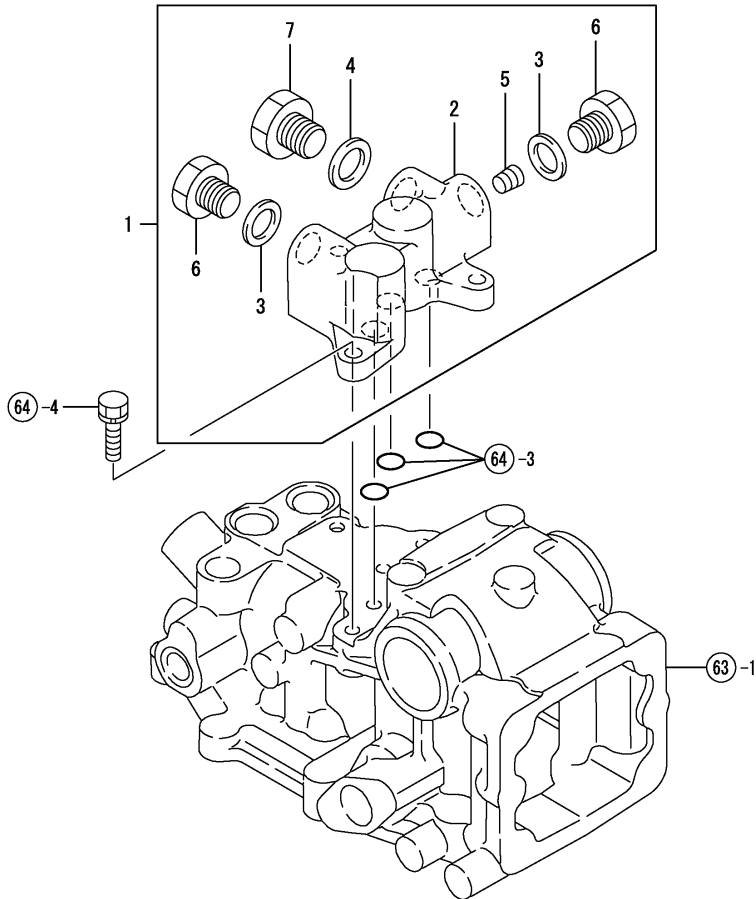
(C)=

(D)=

(E)=

(F)=

REF.	LEV.	PARTS NO.	DESCRIPTION	Q'TY						I	R
				(A)	(B)	(C)	(D)	(E)	(F)		
1	1	198421-42200	COVER CMP,EXT.TAKOUT	1							
2	2	198421-42220	COVER,EXT.TAKE-OUT	1							
3	2	23414-180023	GASKET 18	2							
4	2	23414-200026	GASKET 20	1							
5	2	23875-020000	PLUG PT1/4,STEEL	1							
6	2	23887-180002	PLUG 18	2							
7	2	23887-200002	PLUG 20, HEX.	1							



Part Number Index

All parts are stipulated in the order of part numbers.

(Depending on the area in which the part is used.)

This index will display the location of the part according to each part number.

PARTS No. INDEX

PARTS No.	Fig.	Ref.No.
0A041-G00400	92	1
101504-55051	4	7
101504-55101	4	8
102103-55520	1	35
104200-55321	1	38
104200-55330	1	39
104200-55750	1	43
104500-55710	1	45
105015-55040	4	6
110250-55610	1	36
119247-77100	76	12
119462-44550	1	11
119462-55620	1	33
119626-55690	1	37
119629-49070	1	18
119629-49080	1	19
119650-13620	1	2
		6
119650-77902	1	48
119650-77910	1	49
119810-55340	1	40
121250-44590	1	12
121454-44590	1	31
121750-59890	74	25
123440-91140	78	13
124064-55510	1	34
124160-77020	1	47
129107-44590	1	10
129150-49080	1	17
129155-55740	1	42
171125-55730	1	41
172026-81740	80	29
172510-76310	27	7
172520-76210	25	7
	27	6
194080-37781	62	19
194145-61640	78	11
194145-71600	88	5
194145-71700	88	6
194145-75240	88	51
194150-01190	90	15
194150-01270	2	8
194150-01370	2	9
194150-45320	70	1
194150-71230	88	28
194150-72460	88	34
		43
194150-74630	88	22
194151-36670	18	5
	29	4

PARTS No.	Fig.	Ref.No.
194151-42832	63	9
194151-47760	2	11
	71	29
194162-58830	81	3
194167-61650	78	12
194180-46320	69	2
194180-47440	71	17
194190-72231	88	41
194191-28540	42	12
194193-72410	88	33
		42
194193-73160	88	13
194195-45620	68	3
194195-45640	68	5
194195-45650	68	6
194195-46260	68	8
194197-27681	44	9
194197-44610-2	66	7
194197-51630	74	21
194200-01680	80	1
194200-34750	60	2
194200-65611	85	16
194201-11230	29	1
	35	1
194205-42280	63	11
194205-63550	84	7
194208-47450	71	18
194208-47510	71	2
194208-47530	71	23
194215-04220	5	1
194215-12340	9	4
	25	1
194215-21701	31	1
194215-22210	32	2
194215-22220	32	3
194215-22230	32	4
194215-24970-1	38	2
194215-47840	71	33
194240-65441	85	13
194250-51650	74	22
194250-51660	26	11
	74	23
194273-47910	72	4
194300-13340	25	3
		5
194300-21460	29	3
194300-22160	33	3
194300-22240	32	5
194300-22910	33	4
194300-31560	51	6

PARTS No.	Fig.	Ref.No.
194300-31570	51	7
194300-31620	51	8
194300-37570	62	12
	82	7
194305-12810	21	2
		5
194305-24310	39	1
194305-25160	40	3
194305-34810	59	2
		5
194306-13140	40	1
	41	1
	43	1
194310-21210	71	32
194310-25100	32	6
	42	1
194310-46350	63	13
194310-46380	63	14
194310-46730	63	15
194310-47790	71	30
194310-61610	82	11
194312-46630-2	69	4
194312-46750	35	5
	63	16
194330-62530	83	4
194340-75530	88	52
194420-47370	72	2
194420-56620	4	10
194420-62260	5	2
194440-51620	74	20
194447-13490	14	1
194447-13640	57	1
194447-13650	53	1
194447-13860	10	2
194515-25180	42	2
194516-13770	15	11
194516-13780	15	12
194550-47910	71	35
194555-46640	72	1
194555-47340	71	7
194555-47350	71	9
194555-55820	78	5
194555-65130	6	20
	81	14
	85	2
194555-71500	88	4
194555-77910	35	6
194630-43230	63	12
194640-46410	70	5
194640-46420	70	6

PARTS No.	Fig.	Ref.No.
194640-46620-1	69	3
194670-25370	16	2
194680-51670	74	24
	81	2
194740-00322	34	1
	62	1
194802-62310	81	13
194850-13660	14	3
194850-42180	63	6
194850-42190	63	7
194850-45700	68	7
194850-49230	68	9
194855-24150	43	3
194855-24290	35	4 -1
194855-25290	39	7
194856-25330	40	12
	41	2
194856-25340	40	13
194859-34150	39	8
194940-04240	4	3
194940-04250	4	4
194940-52110	76	3
194990-20170	34	2
	62	4
194990-22050	1	30
	45	1
	49	1
194990-22130	77	1
	80	3
	82	1
		2
		3
		4
194990-22140	46	1
195165-17390	88	31
		39
198010-65720	85	8
198036-65420	85	11
198071-37510	34	9
	62	9
198133-22510	34	7
	62	5
198133-22530	34	8
	62	6
198162-00510	1	1
198162-00520	1	4
198162-00530	1	5
198162-00640	1	15
198162-00660	1	20
198162-00670	1	21

PARTS No. INDEX

PARTS No.	Fig.	Ref.No.
198162-00710	1	24
198162-00770	1	27
198162-00860	1	9
198162-01210	3	1
198162-04111	4	2
198162-05381	6	4
198162-05391	6	5
198162-05410	6	6
198162-05430	6	8
198162-05440	6	9
198162-05462	6	10
198162-05470	6	11
198162-05480	6	12
198162-05491	6	13
198162-22410-1	34	3
198162-26130	42	4
198162-33130	54	3
198162-36080	61	1
198162-36380	61	5
198162-37302	62	8
198162-37641	62	13
198162-37670	62	15
198162-37681	62	16
198162-47630	72	3
198162-52430	74	5
198162-52440	74	6
198162-58110	75	3
198162-58140	75	4
198162-58800	1	46
198162-61250	80	6
198162-61310	80	7
198162-61340	80	8
198162-61370	80	9
198162-61410	80	12
198162-61430	80	13
198162-61440	80	14
198162-61480	80	17
198162-61490	80	18
198162-61530	81	5
198162-61540	81	6
198162-61551	81	7
198162-61570	81	8
198162-61611	81	10
198162-61630	81	12
198162-61661	62	22
198162-61670	62	23
198162-61910	80	25
198162-61930	80	26
198162-62210	82	14
198162-62510	83	3

PARTS No.	Fig.	Ref.No.
198162-62560	83	5
198162-62580	83	6
198162-62590	83	7
198162-62610	83	9
198162-62620	83	10
198162-62630	83	11
198162-62650	83	12
198162-62660	83	13
198162-62950	83	15
198162-65890	85	20
198162-85360-1	91	4
198163-00770	1	28
198163-00850	2	1
198163-17752	26	1
198163-17760	28	1
198163-17771	26	2
198163-17870	27	4
198163-21100	29	2
198163-24321	36	1
198163-25111	39	2
198163-25221	40	5
198163-25250	40	8
198163-25280	39	6
198163-25740	41	5
198163-25750	41	6
198163-26121	42	3
198163-26153	42	6
198163-26162	42	7
198163-26190	42	9
198163-26230	43	4
198163-26410	42	11
198163-27120	46	4
198163-27130	46	5
198163-27200	44	2
198163-27270	47	2
198163-27420	85	1
198163-27480	82	5
198163-27510	44	4
198163-27520	44	5
198163-27531	44	7
198163-27540	45	3
	49	3
198163-27560	45	4
	49	4
198163-27572	45	5
198163-27630	45	6
198163-27711	48	2
198163-27720	48	4
198163-27730	48	5
198163-27760	48	7

PARTS No.	Fig.	Ref.No.
198163-27790	48	8
198163-27791-1	48	8 -1
198163-27840	49	7
198163-27870	48	9
198163-27910	45	7
	49	8
198163-42810-1	63	8
198163-42850-1	63	10
198163-43310	65	1
198163-45610	68	2
198163-47360	71	11
198163-47370	71	12
198163-47800	71	31
198163-48170	73	2
198163-48280	73	5
198163-51310	1	32
198163-51520	90	5
198163-53230	90	6
198163-53300	90	4
198163-53310	90	7
198163-53330	90	10
198163-53350	90	12
198163-61680	80	21
198163-61690	80	22
198163-62110	82	13
198163-63213	84	5
198163-65270	85	10
198163-65310	86	1
198163-65780	86	5
198163-65940	86	2
198163-75510	87	1
198163-85081-1	91	1
198163-85150-1	91	2
198163-85250-1	91	3
198163-85290	90	13
198163-85410	90	14
198163-85560	90	17
198163-85620	90	16
198163-85630	90	18
198163-85640	90	19
198163-85670	90	28
198164-00620	1	13
198164-00630	1	14
198164-00720	1	25
198164-00730	1	26
198164-11200	7	1
198164-11550	8	4
198164-11570	8	5
198164-13310	12	1
198164-13770-1	15	7

PARTS No.	Fig.	Ref.No.
198164-14620	19	1
198164-15750	23	1
198164-15760	23	4
198164-15770	23	5
198164-15780	23	2
198164-15790	23	3
198164-17410	24	3
198164-17420	24	4
198164-17450	24	5
198164-17461	24	6
198164-17470	24	8
198164-17500	24	10
198164-17540	25	2
198164-17780	26	3
198164-17830	27	2
198164-17850	27	3
198164-17900	27	5
198164-24510	36	3
198164-25150	39	5
198164-25210	40	4
198164-25230	40	6
198164-25770	41	7
198164-25790	41	8
198164-25800	41	9
198164-26140	42	5
198164-27150	46	7
198164-31340	50	1
198164-33410	55	1
198164-33420	55	2
198164-33510	56	1
198164-34700	58	1
198164-34710	58	2
		5
198164-34750	58	4
198164-37651	62	14
198164-51310	76	2
198164-51500	75	1
198164-56140	78	4
198164-61580	81	9
198164-61950	80	27
198165-01130	2	4
198165-04380	80	2
198165-11500	8	1
198165-11510	8	2
198165-11540	8	3
198165-13060-1	15	2
198165-13101	11	1
198165-13111	11	2
198165-13120	10	1
198165-13212	11	3

PARTS No. INDEX

PARTS No.	Fig.	Ref.No.
198165-13511	13	1
198165-13521	13	2
198165-13532	13	3
	16	1
198165-13620-1	14	4
198165-13631	14	5
198165-13730-1	15	3
198165-13740-1	15	4
198165-13750	15	10
198165-13815	15	14
198165-13841	15	9
198165-13910	17	1
198165-13920	17	2
198165-14120	18	2
198165-14140	18	4
198165-14620	19	2
198165-14630	19	3
198165-17310	24	2
198165-17481	24	9
198165-17711	27	1
198165-21450	30	1
198165-24120-2	35	3
198165-24121-1	35	3 -1
198165-24330	36	2
198165-24440	14	6
	15	18
	26	9
198165-24490	14	7
	15	19
	26	10
198165-26270	42	10
198165-27350	49	2
198165-27360	47	3
198165-32311-1	52	1
198165-32610-2	53	2
198165-32620-2	53	3
198165-42120	63	5
198165-51130	74	4
198165-61850	80	24
198165-85960	71	60
	90	29
198200-17910	26	8
198200-57200	78	10
198220-45340	68	1
198220-45350	70	2
198220-45370-1	70	3
198220-45630	68	4
198220-46400	70	4
198220-48750	73	6
198220-62150	83	1

PARTS No.	Fig.	Ref.No.
198220-62890	83	14
198240-62451	83	2
198290-32750	53	7
198327-47930	44	10
198360-52160	76	6
198360-52320	76	4
198360-52330	76	5
198421-00640	1	16
198421-00670	1	22
198421-00681	1	23
198421-01110	2	2
198421-01120	2	3
198421-01130	2	5
198421-01140	2	6
198421-01220	3	2
198421-01250	2	7
198421-04430	4	5
198421-13221	11	4
198421-13240	11	6
198421-13650	43	2
198421-14630	19	4
198421-22110	32	1
198421-22151	33	2
198421-22440	34	4
198421-24910	38	1
198421-25250	40	9
198421-25800	41	10
198421-25810	41	11
198421-25820	41	13
198421-27110	44	1
	46	3
	48	1
198421-27160	46	8
198421-27170-1	46	9
198421-27180	46	10
198421-27200	46	12
198421-27221	46	14
198421-27521	44	6
198421-31510	51	2
198421-31530	51	4
198421-31550	51	5
198421-32320	52	2
198421-32330	52	3
198421-32340	52	4
198421-32630	53	4
198421-32660-1	53	6
198421-33110	54	1
198421-33120	54	2
198421-33140	54	4
198421-33150	54	11

PARTS No.	Fig.	Ref.No.
198421-33170	54	5
198421-34110	57	2
198421-36310	61	2
198421-36321	61	3
198421-36330-1	61	4
198421-36410	61	6
198421-36430-1	61	7
198421-37511	34	10
	62	10
198421-37550	62	11
198421-37750	62	17
198421-42102-1	63	1
198421-42200	94	1
198421-42220	94	2
198421-43410	66	1
198421-44110	66	2
198421-44211	66	3
198421-44230	66	4
198421-44250	66	5
198421-44410-1	66	6
198421-46302	69	1
198421-48240	73	4
198421-56150	78	6
198421-56200	78	7
198421-56601	4	9
198421-56910	78	9
198421-61280	6	17
198421-61380	80	10
198421-61460	80	15
198421-61470	80	16
198421-61510	80	19
198421-61540	80	20
198421-61620	81	11
198421-62410	82	18
198421-63140	84	4
198421-64150	93	2
198421-65030	85	18
198421-65430	85	12
198425-22450	34	5
198425-22480	34	6
198425-24110-1	35	2
198425-27213	46	13
198425-27230	46	15
198425-27290	46	17
198425-32640	53	5
198425-34730	60	1
198425-37760	62	18
198425-42220-1	64	1
198425-63270	84	6
198425-64101	93	1

PARTS No.	Fig.	Ref.No.
198431-44510-1	71	1
198431-47320	71	5
198431-47330	71	6
198431-47340	71	8
198431-47350	71	10
198431-47390	71	13
198431-47400	71	14
198431-47420	71	15
198431-47430	71	16
198431-47470-1	71	19
198431-47480-1	71	20
198431-47520-1	71	22
198431-47750	82	9
198431-47760	82	10
198431-47870	71	34
198431-48220	73	3
198435-16230	25	6
198435-24280	35	4
198435-24290	37	1
198435-25130	39	3
198435-25240	40	7
198435-25280	40	10
198435-25310	40	11
198435-25720	41	3
198435-25730	41	4
198435-25810	41	12
198435-27142	46	6
198435-27260-1	46	16
198435-27551	44	8
198435-27740	48	6
198435-34860	59	1
198435-34870	59	4
198435-34880	59	3
		6
198435-45201	67	1
198435-47310	71	4
198435-47490	71	21
198435-47530	71	24
198435-47540	71	25
198435-47550	71	26
198435-47560	71	27
198435-47580	71	28
198435-47710	82	8
198435-62410	84	1
198435-65220	85	7
198435-65240	85	9
198531-14720	20	2
		6
198531-14740	20	3
		7

PARTS No. INDEX

PARTS No.	Fig.	Ref.No.
198531-14750	20	4
		8
198531-26310-1	43	5
198531-34730	58	3
		6
1A1040-26320	46	2
1A1040-36010	60	3
1A1040-36040	60	4
1A6150-91251	86	3
1A6150-93151	86	4
1A6640-65530	85	14
1A6641-12400	9	1
1A6641-12430	9	1 A
1A6641-12440	9	1 B
1A6641-12450	9	1 C
1A6641-13080-1	15	5
1A6641-13600	14	2
1A6641-13760-1	15	6
1A6641-13780	15	13
1A6641-13830	15	15
1A6750-37200	2	10
1A6750-51170	74	17
1A6750-61830	54	12
1A6750-63050	84	3
1A6750-65590	85	15
1A6770-65630	85	17
1A6780-13700	15	8
1A6780-13890	15	17
1A6780-14110-1	18	1
1A6780-14131-1	18	3
1A6780-31500	51	1
1A6780-31520	51	3
1A7050-13230	11	5
1A7100-53220	90	8
		11
1A7100-53230	90	9
1A7260-53220	77	13
		18
1A7450-52210	76	7
1A7450-52230	76	8
1A7531-11350	15	1
1A7720-04100	4	1
1A7720-05350	6	3
1A7720-05420	6	7
1A7720-05510	6	14
1A7720-05580	6	15
1A7720-17300	24	1
1A7720-17811	26	4
1A7720-17821	26	5
1A7720-17830	26	6

PARTS No.	Fig.	Ref.No.
1A7720-17840	26	7
1A7720-26180	42	8
1A7720-27190	46	11
1A7720-27240	45	2
	47	1
	49	5
1A7720-27750	49	6
1A7720-27810	74	3
1A7720-51113	74	3
1A7720-51151	74	11
1A7720-51172	74	12
1A7720-51180	74	13
1A7720-51250	74	14
1A7720-51411	74	16
1A7720-51420	74	19
1A7720-52240	76	9
1A7720-52260	76	10
1A7720-52270	76	11
1A7720-53050	77	2
1A7720-53060	77	3
1A7720-53070	77	4
1A7720-53080	77	5
1A7720-53090	77	6
1A7720-53100	77	7
1A7720-53110	77	9
1A7720-53140	77	10
1A7720-53200	80	4
1A7720-53300	77	11
1A7720-53310	77	14
1A7720-53340	77	15
		19
1A7720-53350	77	16
1A7720-53360	77	20
1A7720-61400	80	11
1A7720-61531	6	18
1A7720-61810	80	23
1A7720-62250	82	15
1A7720-62300	82	16
1A7720-62600	83	8
1A7720-63010	84	2
1A7720-65050	6	19
1A7720-65770	85	19
1A7730-48161	73	1
1A7740-00601	1	8
1A7740-05330	6	1
1A7740-05340	6	2
1A7740-14800	21	1
1A7740-14810	21	3
		6
1A7740-14850	21	4
1A7740-25130	39	4

PARTS No.	Fig.	Ref.No.
1A7740-27710	48	3
1A7740-51100	74	2
1A7740-51270	74	15
1A7740-51550	75	2
1A7740-56110	78	1
1A7740-61100	80	5
1A7740-61500	81	4
1A7740-62100	82	12
1A7740-62300	82	17
1A7740-65131	85	3
1A7740-65141	85	4
1A7740-65200	85	5
1A7740-65210	85	6
1A7740-72000	88	30
1A7740-72100	88	32
1A7740-72200	88	37
1A7740-72210	88	40
1A7740-75211	89	2
1A7740-85050	90	3
1A7740-85850	90	20
1A7870-24980	38	3 -1
1C1100-21010	23	6
1C1280-62250	82	15 -1
1C6053-32020	62	7
1C6140-14050	62	2
1C6281-52320	2	12
	48	15 -1
	62	21
1C6320-16440	62	3
1C6360-82210	62	24
1C6460-36151	78	3
1C6460-38240	6	16
	81	1
1C6560-06300	74	1
1C6560-13470	33	1
1C6560-75311	80	28
1C6650-35150	82	6
1C6860-06980	1	29
1C6860-08160	77	12
		17
1C6900-07200	76	1
1C6950-45410	62	20
1C7100-08150	79	1
1D4110-13870	15	16
1E4070-14040	40	2
1E6140-56230	46	18
1E6190-54080	15	20
1E6190-54160	43	6
1E6210-82580	75	5
1E6460-84220	76	13

PARTS No.	Fig.	Ref.No.
1E8420-55430	18	6
1E8450-83120	74	18
1T6961-10300	88	38
1T6962-10250	88	18
1T6964-18610	88	15
1T6964-18710	88	19
1T6964-18760	88	20
1T6964-18790	88	21
1T6964-18810	88	50
1W3851-20700	77	8
1W3852-00940	78	2
794130-71410	88	12
		16
		29
798531-14710	20	1
798531-14810	20	5
7A7740-71000	88	1
7A7740-71100	88	2
7A7740-75100	88	49
7A7740-75200	89	1
7T6962-10000	88	11
7T6963-01100	88	3
7T6964-18600	88	14
7T6964-18700	88	17



YANMAR CO.,LTD.